

Section Contents

CYLINDRICAL ROLLER BEARINGS

BEARING SERIES	BEARING DESCRIPTION	PAGE
INFORMATION	CYLINDRICAL ROLLER BEARING, GENERAL OVERVIEW	294
P / N IDENTIFICATION	CYLINDRICAL ROLLER BEARINGS	295
SL18 18	METRIC ISO SERIES 2 FLANGED INNER 1 ROW FULL COMPLEMENT ROLLER	296
SL18 22	METRIC ISO SERIES 2 FLANGED INNER 1 ROW FULL COMPLEMENT ROLLER	296
SL18 29	METRIC ISO SERIES 2 FLANGED INNER 1 ROW FULL COMPLEMENT ROLLER	296
SL18 30	METRIC ISO SERIES 2 FLANGED INNER 1 ROW FULL COMPLEMENT ROLLER	296
SL19 23	METRIC ISO SERIES 2 FLANGED OUTER 1 ROW FULL COMPLEMENT ROLLER	296
SL18 48	METRIC ISO SERIES 2 ROW SEMI-LOCATING FULL COMPLEMENT ROLLER	299
SL18 49	METRIC ISO SERIES 2 ROW SEMI-LOCATING FULL COMPLEMENT ROLLER	299
SL18 50	METRIC ISO SERIES 2 ROW SEMI-LOCATING FULL COMPLEMENT ROLLER	299
SL 02	METRIC ISO SERIES 2 ROW NON-LOCATING FULL COMPLEMENT ROLLER	300
SL01	METRIC ISO SERIES 2 ROW LOCATING FULL COMPLEMENT ROLLER	301
SL11	METRIC 3 ROW LOCATING FULL COMPLEMENT ROLLER	302
SL14	METRIC 3 ROW NON-LOCATING FULL COMPLEMENT ROLLER	303
SL12	METRIC 4 ROW LOCATING FULL COMPLEMENT ROLLER	304
SL15	METRIC 4 ROW NON-LOCATING FULL COMPLEMENT ROLLER	305
SL04	SHEAVE BEARINGS – METRIC 2 ROW LOCATING FULL COMPLEMENT ROLLER	306
SL05	METRIC SPHERICAL OD 2 ROW LOCATING FULL COMPLEMENT ROLLER	308
SL06	METRIC SPHERICAL OD 2 ROW NON-LOCATING FULL COMPLEMENT ROLLER	309
LSL	METRIC ISO SERIES 2 FLANGED OUTER 1 ROW DISK SEPARATED ROLLER	310
ZSL	METRIC ISO SERIES 2 FLANGED OUTER 1 ROW SPACER SEPARATED ROLLER	311
RSL18	METRIC 1 & 2 ROW FULL COMPLEMENT ROLLER WITHOUT OUTER RING	312
RSL18 SPACERS	THRUST SPACERS FOR USE WITH RSL18 SERIES ROLLER	315
GG51	METRIC SPLIT DESIGN CAST IRON PILLOW BLOCKS FOR SERIES SL05 & SL06	318



General Information

CYLINDRICAL ROLLER BEARINGS

PRODUCT DESCRIPTION

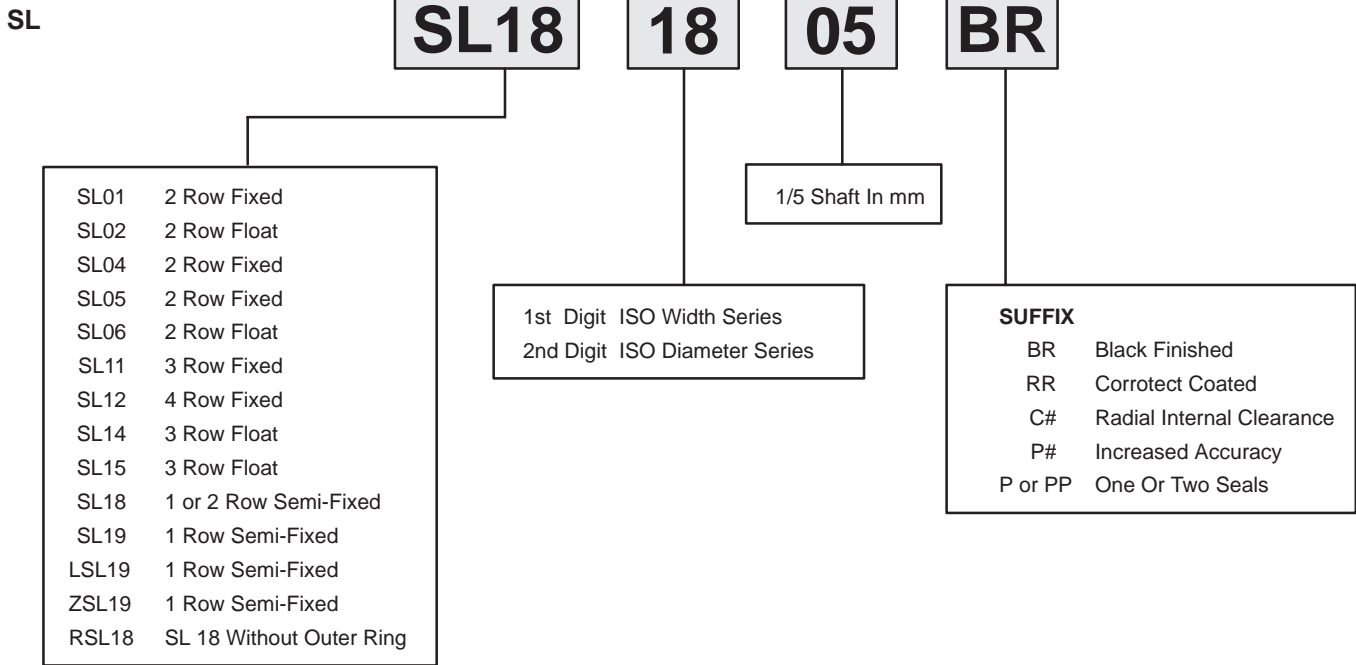
INA Cylindrical Roller Bearings

- Metric full complement designs for maximum capacity
- Available in various ISO cross sections and design configurations including SL04 for sheaves with integral seals and snap ring grooves
- Available as fixed, float and semi-fixed designs with 1 to 5 row of rollers
- Available without outer ring for use in hardened housings or gear bores to maximize capacity and life
- Available with a disk or spacer element separator for maximum capacity and minimal friction, designed to eliminate retainer drag of traditional retainer designs
- Available with spherical OD and mating cast iron pillow blocks for static self aligning designs

Part Number Identification

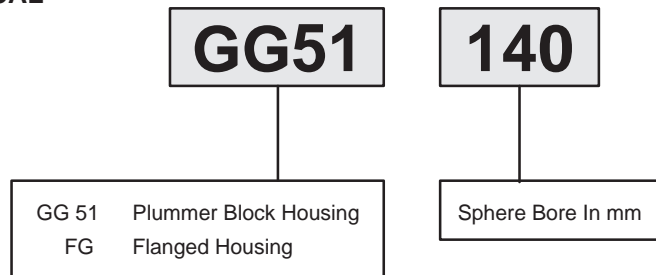
CYLINDRICAL ROLLER BEARINGS

CYLINDRICAL ROLLER BEARING METRIC SERIES



BEARING HOUSINGS FOR ALIGNING CYLINDRICAL ROLLER BEARINGS METRIC SERIES

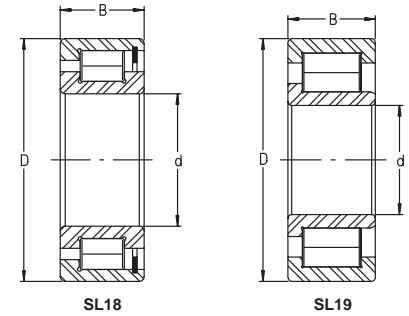
GG, FG



Cylindrical Roller Bearings

SL18 18, SL18 22, SL18 29, SL18 30 & SL19 SERIES

- Metric series
- Single row
- Semi-locating
- SL18 – Double Flanged Inner Rings
- SL19 – Double Flanged Outer Rings



For details on part numbers, descriptive suffixes and various technical references, please refer to front of this section.
For engineering or technical information contact your local sales representative or call Distributor Sales (800)523-6572.

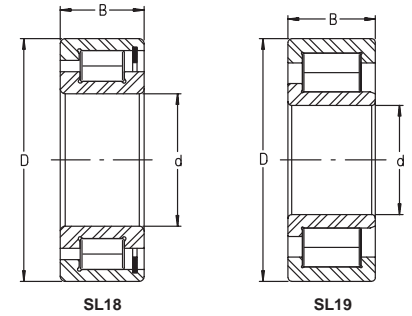
PART NUMBER	SHAFT	SHAFT	OUTER RING	OUTER RING	BEARING	BEARING	WEIGHT	WEIGHT	DYN. CAP.	DYN. CAP.	STAT. CAP.	STAT. CAP.	SPEED
	d	d	OD	OD	WIDTH	WIDTH	PER	PER	CAP.	CAP.	CAP.	CAP.	LIMIT
	inch	mm	inch	mm	inch	mm	lbs	kg	lbF	kN	lbF	kN	rpm
SL18 3004	0.787	20	1.654	42	0.630	16	0.243	0.11	6,200	27.5	6,000	26.5	10000
SL18 2204	0.787	20	1.850	47	0.709	18	0.353	0.16	9,200	41	8,400	37.5	9500
SL18 3005	0.984	25	1.850	47	0.630	16	0.265	0.12	7,100	31.5	7,300	32.5	9000
SL18 2205	0.984	25	2.047	52	0.709	18	0.397	0.18	10,300	46	10,100	45	8500
SL19 2305	0.984	25	2.441	62	0.945	24	0.816	0.37	14,200	63	12,800	57	7500
SL18 3006	1.181	30	2.165	55	0.748	19	0.441	0.2	9,100	40.5	9,700	43	7500
SL18 2206	1.181	30	2.441	62	0.787	20	0.662	0.3	13,700	61	14,200	63	7000
SL19 2306	1.181	30	2.835	72	1.063	27	1.235	0.56	19,600	87	19,100	85	6500
SL18 3007	1.378	35	2.441	62	0.787	20	0.573	0.26	11,100	49.5	12,400	55	6500
SL18 2207	1.378	35	2.835	72	0.906	23	0.97	0.44	17,100	76	17,300	77	6000
SL19 2307	1.378	35	3.150	80	1.221	31	1.632	0.74	25,500	113	25,000	112	5500
SL18 3008	1.575	40	2.677	68	0.827	21	0.684	0.31	13,300	59	15,300	68	6000
SL18 2208	1.575	40	3.150	80	0.906	23	1.213	0.55	18,900	84	20,000	89	5500
SL19 2308	1.575	40	3.543	90	1.299	33	2.227	1.01	34,000	152	35,000	155	5000
SL18 3009	1.772	45	2.953	75	0.906	23	0.882	0.4	14,200	63	17,100	76	5500
SL18 2209	1.772	45	3.347	85	0.906	23	1.301	0.59	19,800	88	21,600	96	5000
SL19 2309	1.772	45	3.937	100	1.417	36	3.021	1.37	36,500	162	37,000	165	4500
SL18 3010	1.969	50	3.150	80	0.906	23	0.948	0.43	17,300	77	20,700	92	5000
SL18 2210	1.969	50	3.543	90	0.906	23	1.411	0.64	21,400	95	24,500	109	4600
SL19 2310	1.969	50	4.331	110	1.575	40	3.991	1.81	46,000	205	48,500	215	4100
SL18 3011	2.165	55	3.543	90	1.024	26	1.411	0.64	23,600	105	30,000	134	4500
SL18 2211	2.165	55	3.937	100	0.984	25	1.918	0.87	27,500	122	32,500	145	4200
SL19 2311	2.165	55	4.724	120	1.693	43	5.027	2.28	54,000	242	57,000	255	3700
SL18 2912	2.362	60	3.347	85	0.630	16	0.639	0.29	12,100	54	16,600	74	4500
SL18 3012	2.362	60	3.740	95	1.024	26	1.521	0.69	24,300	108	31,500	141	4200
SL18 2212	2.362	60	4.331	110	1.102	28	2.602	1.18	34,000	152	40,000	179	3800
SL19 2312	2.362	60	5.118	130	1.811	46	6.35	2.88	58,000	260	63,000	280	3400
SL18 2913	2.559	65	3.543	90	0.630	16	0.684	0.31	12,800	57	18,200	81	4200
SL18 3013	2.559	65	3.937	100	1.024	26	1.61	0.73	25,500	113	34,500	154	3900
SL18 2213	2.559	65	4.724	120	1.221	31	3.462	1.57	40,000	177	48,000	213	3500
SL19 2313	2.559	65	5.512	140	1.890	48	7.762	3.52	71,000	315	80,000	355	3200
SL18 2914	2.756	70	3.937	100	0.748	19	1.08	0.49	17,100	76	24,300	108	3800
SL18 3014	2.756	70	4.331	110	1.181	30	2.249	1.02	30,000	134	38,500	171	3600
SL18 2214	2.756	70	4.921	125	1.221	31	3.66	1.66	41,000	183	51,000	226	3300
SL19 2314	2.756	70	5.906	150	2.008	51	9.548	4.33	78,000	345	88,000	390	2900
SL18 2915	2.953	75	4.134	105	0.748	19	1.147	0.52	17,500	78	26,000	116	3600
SL18 3015	2.953	75	4.528	115	1.181	30	2.337	1.06	31,500	141	42,500	188	3400
SL18 2215	2.953	75	5.118	130	1.221	31	3.859	1.75	42,500	190	54,000	239	3200
SL19 2315	2.953	75	6.299	160	2.165	55	11.7	5.3	92,000	410	107,000	475	2800
SL18 2916	3.150	80	4.331	110	0.748	19	1.213	0.55	18,200	81	27,500	123	3400
SL18 3016	3.150	80	4.921	125	1.339	34	3.153	1.43	39,000	173	50,000	224	3200
SL18 2216	3.150	80	5.512	140	1.299	33	4.741	2.15	50,000	223	63,000	280	2900
SL19 2316	3.150	80	6.693	170	2.284	58	13.9	6.32	108,000	480	126,000	560	2600
SL18 2917	3.347	85	4.724	120	0.866	22	1.786	0.81	22,900	102	35,000	155	3200
SL18 3017	3.347	85	5.118	130	1.339	34	3.33	1.51	40,000	178	53,000	235	3000



Cylindrical Roller Bearings

SL18 18, SL18 22, SL18 29, SL18 30 & SL19 SERIES

- Metric series
- Single row
- Semi-locating
- SL18 – Double Flanged Inner Rings
- SL19 – Double Flanged Outer Rings



For details on part numbers, descriptive suffixes and various technical references, please refer to front of this section.
 For engineering or technical information contact your local sales representative or call Distributor Sales (800)523-6572.

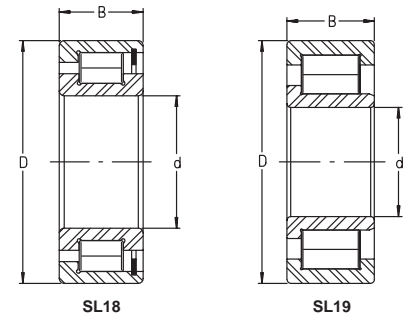
PART NUMBER	SHAFT d	SHAFT d	OUTER RING OD D	OUTER RING OD D	BEARING WIDTH B	BEARING WIDTH B	WEIGHT PER PIECE	WEIGHT PER PIECE	DYN. CAP. C	DYN. CAP. C	STAT. CAP. C ₀	STAT. CAP. C ₀	SPEED LIMIT OIL
	inch	mm	inch	mm	inch	mm	lbs	kg	lbf	kN	lbf	kN	rpm
SL18 2217	3.347	85	5.906	150	1.417	36	6.042	2.74	57,000	255	72,000	320	2800
SL19 2317	3.347	85	7.087	180	2.362	60	16.2	7.34	115,000	510	139,000	620	2400
SL18 2918	3.543	90	4.921	125	0.866	22	1.852	0.84	23,800	106	37,000	165	3000
SL18 3018	3.543	90	5.512	140	1.457	37	4.344	1.97	46,500	207	63,000	280	2800
SL18 2218	3.543	90	6.299	160	1.575	40	7.673	3.48	64,000	285	82,000	365	2600
SL19 2318	3.543	90	7.480	190	2.520	64	19.5	8.83	126,000	560	148,000	660	2300
SL18 2919	3.740	95	5.118	130	0.866	22	1.896	0.86	25,500	114	38,500	172	2900
SL18 2219	3.740	95	6.693	170	1.693	43	9.195	4.17	75,000	335	97,000	430	2400
SL19 2319	3.740	95	7.874	200	2.638	67	22.5	10.2	130,000	580	162,000	720	2200
SL18 2920	3.937	100	5.512	140	0.945	24	2.514	1.14	29,500	132	44,500	199	2700
SL18 3020	3.937	100	5.906	150	1.457	37	4.741	2.15	49,000	218	69,000	305	2600
SL18 2220	3.937	100	7.087	180	1.811	46	11.3	5.13	88,000	390	117,000	520	2300
SL19 2320	3.937	100	8.465	215	2.874	73	28.7	13	160,000	710	193,000	860	2100
SL18 2922	4.331	110	5.906	150	0.945	24	2.712	1.23	31,000	137	48,000	213	2500
SL18 3022	4.331	110	6.693	170	1.772	45	7.718	3.5	64,000	285	89,000	395	2300
SL18 2222	4.331	110	7.874	200	2.087	53	16.0	7.24	102,000	455	133,000	590	2100
SL19 2322	4.331	110	9.449	240	3.150	80	37.5	17	189,000	840	218,000	970	1900
SL18 2924	4.724	120	6.496	165	1.063	27	3.815	1.73	39,500	176	64,000	285	2300
SL18 3024	4.724	120	7.087	180	1.811	46	8.379	3.8	67,000	300	98,000	435	2200
SL18 2224	4.724	120	8.465	215	2.284	58	20.0	9.08	119,000	530	164,000	730	1900
SL19 2324	4.724	120	10.236	260	3.386	86	49.2	22.3	223,000	990	275,000	1220	1700
SL18 2926	5.118	130	7.087	180	1.181	30	5.138	2.33	47,000	210	79,000	350	2100
SL18 3026	5.118	130	7.874	200	2.047	52	12.5	5.65	97,000	430	137,000	610	2000
SL18 2226	5.118	130	9.055	230	2.520	64	24.8	11.25	142,000	630	193,000	860	1800
SL18 2928	5.512	140	7.480	190	1.181	30	5.336	2.42	51,000	228	84,000	375	2000
SL18 3028	5.512	140	8.268	210	2.087	53	13.3	6.04	102,000	455	151,000	670	1900
SL18 2228	5.512	140	9.843	250	2.677	68	31.9	14.47	162,000	720	229,000	1020	1700
SL18 2930	5.906	150	8.268	210	1.417	36	8.313	3.77	69,000	305	110,000	490	1800
SL18 3030	5.906	150	8.858	225	2.205	56	16.2	7.33	107,000	475	157,000	700	1700
SL18 2230	5.906	150	10.630	270	2.874	73	40.6	18.43	187,000	830	265,000	1180	1500
SL18 2932	6.299	160	8.661	220	1.417	36	8.82	4	72,000	320	117,000	520	1700
SL18 3032	6.299	160	9.449	240	2.362	60	19.4	8.8	121,000	540	182,000	810	1600
SL18 2232	6.299	160	11.417	290	3.150	80	50.7	23	229,000	1020	330,000	1460	1400
SL18 2934	6.693	170	9.055	230	1.417	36	9.482	4.3	74,000	330	126,000	560	1600
SL18 3034	6.693	170	10.236	260	2.638	67	26.9	12.2	160,000	710	241,000	1070	1500
SL18 2234	6.693	170	12.205	310	3.386	86	63.2	28.65	255,000	1140	375,000	1660	1400
SL18 2936	7.087	180	9.843	250	1.654	42	13.7	6.2	92,000	410	155,000	690	1500
SL18 3036	7.087	180	11.024	280	2.913	74	35.5	16.1	184,000	820	285,000	1260	1400
SL18 2236	7.087	180	12.598	320	3.386	86	65.7	29.8	265,000	1180	395,000	1760	1300
SL18 2938	7.480	190	10.236	260	1.654	42	14.3	6.5	102,000	455	178,000	790	1400
SL18 3038	7.480	190	11.417	290	2.953	75	37.5	17	189,000	840	295,000	1320	1400
SL18 2238	7.480	190	13.386	340	3.622	92	78.6	35.65	290,000	1300	425,000	1900	1200
SL18 1840	7.874	200	9.843	250	0.945	24	5.667	2.57	40,000	178	72,000	320	1400
SL18 2940	7.874	200	11.024	280	1.890	48	20.1	9.1	124,000	550	211,000	940	1400
SL18 3040	7.874	200	12.205	310	3.228	82	48.1	21.8	216,000	960	345,000	1530	1300



Cylindrical Roller Bearings

SL18 18, SL18 22, SL18 29, SL18 30 & SL19 SERIES

- Metric series
- Single row
- Semi-locating
- SL18 – Double Flanged Inner Rings
- SL19 – Double Flanged Outer Rings



For details on part numbers, descriptive suffixes and various technical references, please refer to front of this section.
For engineering or technical information contact your local sales representative or call Distributor Sales (800)523-6572.

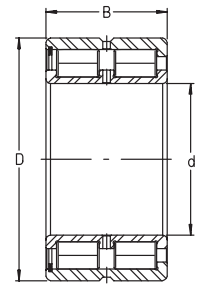
PART NUMBER	SHAFT d	SHAFT d	OUTER RING OD D	OUTER RING OD D	BEARING WIDTH B	BEARING WIDTH B	WEIGHT PER PIECE	WEIGHT PER PIECE	DYN. CAP. C	DYN. CAP. C	STAT. CAP. C ₀	STAT. CAP. C ₀	SPEED LIMIT OIL
	inch	mm	inch	mm	inch	mm	lbs	kg	lbf	kN	lbf	kN	rpm
SL18 2240	7.874	200	14.173	360	3.858	98	95.1	43.12	320,000	1420	460,000	2040	1200
SL18 1844	8.661	220	10.63	270	0.945	24	6.174	2.8	42000	187	79000	350	1300
SL18 2944	8.661	220	11.811	300	1.890	48	21.8	9.9	128,000	570	234,000	1040	1200
SL18 3044	8.661	220	13.386	340	3.543	90	62.6	28.4	260,000	1150	405,000	1810	1200
SL18 1848	9.449	240	11.811	300	1.102	28	9.702	4.4	47500	212	91000	405	1200
SL18 2948	9.449	240	12.598	320	1.890	48	23.4	10.6	135,000	600	255,000	1130	1200
SL18 3048	9.449	240	14.173	360	3.622	92	68.1	30.9	270,000	1210	445,000	1990	1100
SL18 1852	10.236	260	12.598	320	1.102	28	10.4	4.71	50000	222	99000	440	1100
SL18 2952	10.236	260	14.173	360	2.362	60	40.8	18.5	178,000	790	330,000	1460	1000
SL18 3052	10.236	260	15.748	400	4.095	104	98.1	44.5	365,000	1620	570,000	2550	1000
SL18 1856	11.024	280	13.78	350	1.299	33	15.4	7	69000	305	135000	600	1000
SL18 2956	11.024	280	14.961	380	2.362	60	43.4	19.7	207,000	920	390,000	1740	1000
SL18 3056	11.024	280	16.535	420	4.173	106	105.8	48	375,000	1660	610,000	2700	950
SL18 1860	11.811	300	14.961	380	1.496	38	22.1	10	84000	375	164000	730	950
SL18 2960	11.811	300	16.535	420	2.835	72	68.8	31.2	265,000	1180	500,000	2230	900
SL18 3060	11.811	300	18.110	460	4.646	118	146.9	66.6	460,000	2040	750,000	3350	850
SL18 1864	12.598	320	15.748	400	1.496	38	23.4	10.6	87000	385	175000	780	900
SL18 2964	12.598	320	17.323	440	2.835	72	72.5	32.9	275,000	1220	530,000	2360	850
SL18 3064	12.598	320	18.898	480	4.764	121	158.1	71.7	470,000	2090	790,000	3500	800
SL18 1868	13.386	340	16.535	420	1.496	38	24.7	11.2	89000	395	184000	820	850
SL18 2968	13.386	340	18.110	460	2.835	72	76.5	34.7	285,000	1260	560,000	2500	800
SL18 3068	13.386	340	20.472	520	5.236	133	211.2	95.8	560,000	2490	930,000	4150	750
SL18 1872	14.173	360	17.323	440	1.496	38	25.8	11.7	92000	410	196000	870	800
SL18 2972	14.173	360	18.898	480	2.835	72	80.3	36.4	290,000	1290	600,000	2650	750
SL18 3072	14.173	360	21.260	540	5.276	134	222.7	101	570,000	2550	980,000	4350	700
SL18 1876	14.961	380	18.898	480	1.811	46	42.3	19.2	128000	570	260000	1150	750
SL18 2976	14.961	380	20.472	520	3.228	82	114.9	52.1	375,000	1670	740,000	3300	700
SL18 3076	14.961	380	22.047	560	5.315	135	233.7	106	600,000	2650	1,020,000	4550	700
SL18 1880	15.748	400	19.685	500	1.811	46	44.1	20	133000	590	275000	1220	700
SL18 2980	15.748	400	21.260	540	3.228	82	119.7	54.3	385,000	1720	790,000	3500	700
SL18 3080	15.748	400	23.622	600	5.827	148	308.7	140	700,000	3100	1,240,000	5500	650
SL18 1884	16.535	420	20.472	520	1.811	46	46.1	20.9	135000	600	285000	1260	700
SL18 2984	16.535	420	22.047	560	3.228	82	125.5	56.9	395,000	1750	810,000	3600	650
SL18 1888	17.323	440	21.26	540	1.811	46	48.1	21.8	137000	610	295000	1320	650
SL18 2988	17.323	440	23.622	600	3.740	95	172.2	78.1	480,000	2130	940,000	4200	600
SL18 1892	18.110	460	22.835	580	2.205	56	74.8	33.9	178000	790	375000	1660	600
SL18 2992	18.110	460	24.409	620	3.740	95	178.8	81.1	485,000	2160	980,000	4350	600
SL18 1896	18.898	480	23.622	600	2.205	56	77.6	35.2	180000	800	385000	1720	600
SL18 2996	18.898	480	25.591	650	3.937	100	208.8	94.7	550,000	2430	1,100,000	4900	550
SL18 18/500	19.685	500	24.409	620	2.205	56	80.5	36.5	184000	820	405000	1810	600
SL18 29/500	19.685	500	26.378	670	3.937	100	216.8	98.3	550,000	2460	1,150,000	5100	550



Cylindrical Roller Bearings

SL18 49, SL18 50 SERIES

- Double row
- Full complement for maximum capacity
- Semi-locating bearing



For details on part numbers, descriptive suffixes and various technical references, please refer to front of this section.
For engineering or technical information contact your local sales representative or call Distributor Sales (800)523-6572.

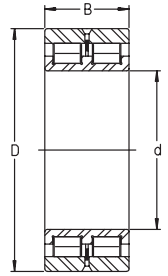
PART NUMBER	SHAFT d	SHAFT d	OD D	OD D	WIDTH B	WIDTH B	WEIGHT	WEIGHT	DYN. CAP. C	DYN. CAP. C	STAT. CAP. C ₀	STAT. CAP. C ₀	SPEED LIMIT OIL
	inch	mm	inch	mm	inch	mm	lbs	kg	lbf	kN	lbf	kN	rpm
SL18 5004	0.787	20	1.654	42	1.181	30	0.441	0.2	10,700	47.5	11,900	53	10000
SL18 5005	0.984	25	1.850	47	1.181	30	0.507	0.23	12,100	54	14,600	65	9000
SL18 5006	1.181	30	2.165	55	1.339	34	0.772	0.35	15,700	70	19,300	86	7500
SL18 5007	1.378	35	2.441	62	1.417	36	1.014	0.46	19,100	85	24,500	109	6500
SL18 5008	1.575	40	2.677	68	1.496	38	1.235	0.56	22,700	101	30,500	136	6000
SL18 5009	1.772	45	2.953	75	1.575	40	1.566	0.71	24,300	108	34,000	151	5500
SL18 5010	1.969	50	3.150	80	1.575	40	1.676	0.76	29,500	131	41,500	184	5000
SL18 5011	2.165	55	3.543	90	1.811	46	2.558	1.16	40,000	179	61,000	270	4500
SL18 4912	2.362	60	3.347	85	0.984	25	1.058	0.48	15,100	67	26,000	115	4500
SL18 5012	2.362	60	3.740	95	1.811	46	2.734	1.24	41,500	184	63,000	280	4200
SL18 5013	2.559	65	3.937	100	1.811	46	2.911	1.32	43,500	194	70,000	310	3900
SL18 4914	2.756	70	3.937	100	1.181	30	1.72	0.78	23,200	103	40,000	178	3800
SL18 5014	2.756	70	4.331	110	2.126	54	4.079	1.85	51,000	229	76,000	340	3600
SL18 5015	2.953	75	4.528	115	2.126	54	4.256	1.93	54,000	242	84,000	375	3400
SL18 4916	3.150	80	4.331	110	1.181	30	1.94	0.88	24,500	109	44,500	199	3400
SL18 5016	3.150	80	4.921	125	2.362	60	5.711	2.59	66,000	295	101,000	450	3200
SL18 5017	3.347	85	5.118	130	2.362	60	5.998	2.72	69,000	305	106,000	470	3000
SL18 4918	3.543	90	4.921	125	1.378	35	2.977	1.35	33,500	149	63,000	280	3000
SL18 5018	3.543	90	5.512	140	2.638	67	7.982	3.62	80,000	355	126,000	560	2800
SL18 4920	3.937	100	5.512	140	1.575	40	4.3	1.95	43,000	191	83,000	370	2700
SL18 5020	3.937	100	5.906	150	2.638	67	8.688	3.94	84,000	375	137,000	610	2600
SL18 4922	4.331	110	5.906	150	1.575	40	4.741	2.15	44,500	198	90,000	400	2500
SL18 5022	4.331	110	6.693	170	3.150	80	13.9	6.32	110,000	490	178,000	790	2300
SL18 4924	4.724	120	6.496	165	1.772	45	6.505	2.95	50,000	222	99,000	440	2300
SL18 5024	4.724	120	7.087	180	3.150	80	14.9	6.77	117,000	520	196,000	870	2200
SL18 4926	5.118	130	7.087	180	1.969	50	8.71	3.95	58,000	260	115,000	510	2100
SL18 5026	5.118	130	7.874	200	3.740	95	22.5	10.2	166,000	740	275,000	1220	2000
SL18 4928	5.512	140	7.480	190	1.969	50	9.261	4.2	61,000	270	124,000	550	2000
SL18 5028	5.512	140	8.268	210	3.740	95	24.5	11.1	175,000	780	300,000	1340	1900
SL18 4930	5.906	150	8.268	210	2.362	60	14.7	6.65	92,000	410	184,000	820	1800
SL18 5030	5.906	150	8.858	225	3.937	100	29.3	13.3	182,000	810	315,000	1400	1700
SL18 4932	6.299	160	8.661	220	2.362	60	15.4	7	96,000	425	198,000	880	1700
SL18 4934	6.693	170	9.055	230	2.362	60	16.2	7.35	98,000	435	209,000	930	1600
SL18 4936	7.087	180	9.843	250	2.717	69	23.8	10.8	128,000	570	270,000	1200	1500
SL18 4938	7.480	190	10.236	260	2.717	69	24.7	11.2	130,000	580	285,000	1270	1400
SL18 4940	7.874	200	11.024	280	3.150	80	34.8	15.8	155,000	690	335,000	1480	1400
SL18 4944	8.661	220	11.811	300	3.150	80	37.9	17.2	162,000	720	355,000	1590	1200
SL18 4948	9.449	240	12.598	320	3.150	80	40.8	18.5	166,000	740	385,000	1710	1200
SL18 4952	10.236	260	14.173	360	3.937	100	70.6	32	250,000	1110	560,000	2490	1000
SL18 4956	11.024	280	14.961	380	3.937	100	75.0	34	260,000	1150	610,000	2700	1000
SL18 4960	11.811	300	16.535	420	4.646	118	116.9	53	370,000	1650	850,000	3800	900
SL18 4964	12.598	320	17.323	440	4.646	118	123.5	56	385,000	1720	920,000	4100	850
SL18 4968	13.386	340	18.110	460	4.646	118	130.1	59	400,000	1770	970,000	4300	800
SL18 4972	14.173	360	18.898	480	4.646	118	136.9	62.1	405,000	1810	1,010,000	4500	750
SL18 4976	14.961	380	20.472	520	5.512	140	203.7	92.4	510,000	2270	1,260,000	5600	700
SL18 4980	15.748	400	21.260	540	5.512	140	212.8	96.5	520,000	2330	1,330,000	5900	700



Cylindrical Roller Bearings

SL02 SERIES

- Double row
- Full complement for maximum capacity
- Non-locating bearing



For details on part numbers, descriptive suffixes and various technical references, please refer to front of this section.
 For engineering or technical information contact your local sales representative or call Distributor Sales (800)523-6572.

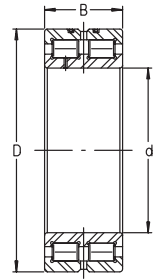
PART NUMBER	SHAFT	SHAFT	OD	OD	WIDTH	WIDTH	WEIGHT	WEIGHT	DYN. CAP.	DYN. CAP	STAT. CAP.	STAT. CAP.	SPEED LIMIT OIL
	d	d	D	D	B	B			C	C	C ₀	C ₀	
	inch	mm	inch	mm	inch	mm	lbs	kg	lbf	kN	lbf	kN	rpm
SL02 4912	2.362	60	3.347	85	0.984	25	1.036	0.47	15,100	67	26,000	115	4500
SL02 4914	2.756	70	3.937	100	1.181	30	1.654	0.75	23,200	103	40,000	178	3800
SL02 4916	3.150	80	4.331	110	1.181	30	1.874	0.85	24,500	109	44,500	199	3400
SL02 4918	3.543	90	4.921	125	1.378	35	2.867	1.3	33,500	149	63,000	280	3000
SL02 4920	3.937	100	5.512	140	1.575	40	4.19	1.9	43,000	191	83,000	370	2700
SL02 4922	4.331	110	5.906	150	1.575	40	4.631	2.1	44,500	198	90,000	400	2500
SL02 4924	4.724	120	6.496	165	1.772	45	6.284	2.85	50,000	222	99,000	440	2300
SL02 4926	5.118	130	7.087	180	1.969	50	8.379	3.8	58,000	260	115,000	510	2100
SL02 4928	5.512	140	7.480	190	1.969	50	9.041	4.1	61,000	270	124,000	550	2000
SL02 4830	5.906	150	7.480	190	1.575	40	6.174	2.8	52,000	231	119,000	530	1900
SL02 4930	5.906	150	8.268	210	2.362	60	14.2	6.45	92,000	410	184,000	820	1800
SL02 4832	6.299	160	7.874	200	1.575	40	6.615	3	53,000	237	126,000	560	1800
SL02 4932	6.299	160	8.661	220	2.362	60	15.0	6.8	96,000	425	198,000	880	1700
SL02 4834	6.693	170	8.465	215	1.772	45	8.71	3.95	58,000	260	135,000	600	1700
SL02 4934	6.693	170	9.055	230	2.362	60	15.7	7.1	98,000	435	209,000	930	1600
SL02 4836	7.087	180	8.858	225	1.772	45	9.151	4.15	61,000	270	144,000	640	1600
SL02 4936	7.087	180	9.843	250	2.717	69	23.2	10.5	128,000	570	270,000	1200	1500
SL02 4838	7.480	190	9.449	240	1.969	50	12.0	5.45	70,000	310	164,000	730	1500
SL02 4938	7.480	190	10.236	260	2.717	69	24.0	10.9	130,000	580	285,000	1270	1400
SL02 4840	7.874	200	9.843	250	1.969	50	12.6	5.7	72,000	320	173,000	770	1400
SL02 4940	7.874	200	11.024	280	3.150	80	33.7	15.3	155,000	690	335,000	1480	1400
SL02 4844	8.661	220	10.630	270	1.969	50	13.7	6.2	75,000	335	189,000	840	1300
SL02 4944	8.661	220	11.811	300	3.150	80	36.8	16.7	162,000	720	355,000	1590	1200
SL02 4848	9.449	240	11.811	300	2.362	60	21.8	9.9	112,000	500	275,000	1230	1200
SL02 4948	9.449	240	12.598	320	3.150	80	39.5	17.9	166,000	740	385,000	1710	1200
SL02 4852	10.236	260	12.598	320	2.362	60	23.4	10.6	119,000	530	300,000	1340	1100
SL02 4952	10.236	260	14.173	360	3.937	100	68.8	31.2	250,000	1110	560,000	2490	1000
SL02 4856	11.024	280	13.780	350	2.717	69	34.4	15.6	155,000	690	400,000	1790	1000
SL02 4956	11.024	280	14.961	380	3.937	100	73.0	33.1	260,000	1150	610,000	2700	1000
SL02 4860	11.811	300	14.961	380	3.150	80	48.5	22	184,000	820	470,000	2090	950
SL02 4960	11.811	300	16.535	420	4.646	118	114.4	51.9	370,000	1650	850,000	3800	900
SL02 4864	12.598	320	15.748	400	3.150	80	51.8	23.5	191,000	850	500,000	2240	900
SL02 4964	12.598	320	17.323	440	4.646	118	121.1	54.9	385,000	1720	920,000	4100	850
SL02 4868	13.386	340	16.535	420	3.150	80	55.1	25	196,000	870	530,000	2350	850
SL02 4968	13.386	340	18.110	460	4.646	118	127.4	57.8	400,000	1770	970,000	4300	800
SL02 4872	14.173	360	17.323	440	3.150	80	57.3	26	202,000	900	560,000	2500	800
SL02 4972	14.173	360	18.898	480	4.646	118	134.1	60.8	405,000	1810	1,010,000	4500	750
SL02 4876	14.961	380	18.898	480	3.937	100	97.0	44	295,000	1310	780,000	3450	750
SL02 4976	14.961	380	20.472	520	5.512	140	199.6	90.5	510,000	2270	1,260,000	5600	700
SL02 4880	15.748	400	19.685	500	3.937	100	101.0	45.8	300,000	1330	810,000	3600	700
SL02 4980	15.748	400	21.260	540	5.512	140	208.6	94.6	520,000	2330	1,330,000	5900	700



Cylindrical Roller Bearings

SL01 SERIES

- Double row
- Full complement for maximum capacity
- Locating bearing



For details on part numbers, descriptive suffixes and various technical references, please refer to front of this section.
 For engineering or technical information contact your local sales representative or call Distributor Sales (800)523-6572.

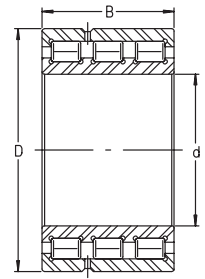
PART NUMBER	SHAFT	SHAFT	OD	OD	WIDTH	WIDTH	WEIGHT	WEIGHT	DYN. CAP.	DYN. CAP.	STAT. CAP.	STAT. CAP.	SPEED
	d	d	D	D	B	B			C	C	C ₀	C ₀	LIMIT OIL
	inch	mm	inch	mm	inch	mm	lbs	kg	lbf	kN	lbf	kN	rpm
SL01 4912	2.362	60	3.347	85	0.984	25	1.08	0.49	15,100	67	26,000	115	4500
SL01 4914	2.756	70	3.937	100	1.181	30	1.72	0.78	23,200	103	40,000	178	3800
SL01 4916	3.150	80	4.331	110	1.181	30	1.94	0.88	24,500	109	44,500	199	3400
SL01 4918	3.543	90	4.921	125	1.378	35	2.977	1.35	33,500	149	63,000	280	3000
SL01 4920	3.937	100	5.512	140	1.575	40	4.3	1.95	43,000	191	83,000	370	2700
SL01 4922	4.331	110	5.906	150	1.575	40	4.741	2.15	44,500	198	90,000	400	2500
SL01 4924	4.724	120	6.496	165	1.772	45	6.505	2.95	50,000	222	99,000	440	2300
SL01 4926	5.118	130	7.087	180	1.969	50	8.71	3.95	58,000	260	115,000	510	2100
SL01 4928	5.512	140	7.480	190	1.969	50	9.261	4.2	61,000	270	124,000	550	2000
SL01 4830	5.906	150	7.480	190	1.575	40	6.395	2.9	52,000	231	119,000	530	1900
SL01 4930	5.906	150	8.268	210	2.362	60	14.7	6.65	92,000	410	184,000	820	1800
SL01 4832	6.299	160	7.874	200	1.575	40	6.836	3.1	53,000	237	126,000	560	1800
SL01 4932	6.299	160	8.661	220	2.362	60	15.4	7	96,000	425	198,000	880	1700
SL01 4834	6.693	170	8.465	215	1.772	45	9.041	4.1	58,000	260	135,000	600	1700
SL01 4934	6.693	170	9.055	230	2.362	60	16.2	7.35	98,000	435	209,000	930	1600
SL01 4836	7.087	180	8.858	225	1.772	45	9.482	4.3	61,000	270	144,000	640	1600
SL01 4936	7.087	180	9.843	250	2.717	69	23.8	10.8	128,000	570	270,000	1200	1500
SL01 4838	7.480	190	9.449	240	1.969	50	12.458	5.65	70,000	310	164,000	730	1500
SL01 4938	7.480	190	10.236	260	2.717	69	24.7	11.2	130,000	580	285,000	1270	1400
SL01 4840	7.874	200	9.843	250	1.969	50	13.01	5.9	72,000	320	173,000	770	1400
SL01 4940	7.874	200	11.024	280	3.150	80	34.8	15.8	155,000	690	335,000	1480	1400
SL01 4844	8.661	220	10.630	270	1.969	50	14.112	6.4	75,000	335	189,000	840	1300
SL01 4944	8.661	220	11.811	300	3.150	80	37.9	17.2	162,000	720	355,000	1590	1200
SL01 4848	9.449	240	11.811	300	2.362	60	22.05	10	112,000	500	275,000	1230	1200
SL01 4948	9.449	240	12.598	320	3.150	80	40.8	18.5	166,000	740	385,000	1710	1200
SL01 4852	10.236	260	12.598	320	2.362	60	24.255	11	119,000	530	300,000	1340	1100
SL01 4952	10.236	260	14.173	360	3.937	100	70.6	32	250,000	1110	560,000	2490	1000
SL01 4856	11.024	280	13.780	350	2.717	69	35.28	16	155,000	690	400,000	1790	1000
SL01 4956	11.024	280	14.961	380	3.937	100	75.0	34	260,000	1150	610,000	2700	1000
SL01 4860	11.811	300	14.961	380	3.150	80	50.715	23	184,000	820	470,000	2090	950
SL01 4960	11.811	300	16.535	420	4.646	118	116.9	53	370,000	1650	850,000	3800	900
SL01 4864	12.598	320	15.748	400	3.150	80	52.92	24	191,000	850	500,000	2240	900
SL01 4964	12.598	320	17.323	440	4.646	118	123.5	56	385,000	1720	920,000	4100	850
SL01 4868	13.386	340	16.535	420	3.150	80	56.228	25.5	196,000	870	530,000	2350	850
SL01 4968	13.386	340	18.110	460	4.646	118	130.1	59	400,000	1770	970,000	4300	800
SL01 4872	14.173	360	17.323	440	3.150	80	59.535	27	202,000	900	560,000	2500	800
SL01 4972	14.173	360	18.898	480	4.646	118	136.9	62.1	405,000	1810	1,010,000	4500	750
SL01 4876	14.961	380	18.898	480	3.937	100	100.328	45.5	295,000	1310	780,000	3450	750
SL01 4976	14.961	380	20.472	520	5.512	140	203.7	92.4	510,000	2270	1,260,000	5600	700
SL01 4880	15.748	400	19.685	500	3.937	100	102.533	46.5	300,000	1330	810,000	3600	700
SL01 4980	15.748	400	21.260	540	5.512	140	212.8	96.5	520,000	2330	1,330,000	5900	700



Cylindrical Roller Bearings

SL11 SERIES

- Triple row
- Locating bearing
- ISO diameter series 9



For details on part numbers, descriptive suffixes and various technical references, please refer to front of this section.
 For engineering or technical information contact your local sales representative or call Distributor Sales (800)523-6572.

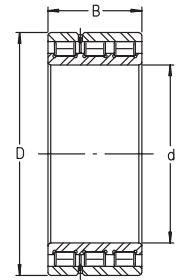
PART NUMBER	SHAFT d	SHAFT d	OUTER RING OD D	OUTER RING OD D	BEARING WIDTH B	BEARING WIDTH B	WEIGHT PER PIECE	WEIGHT PER PIECE	DYN. CAP. C	DYN. CAP. C	STAT. CAP. C ₀	STAT. CAP. C ₀	SPEED LIMIT OIL
	inch	mm	inch	mm	inch	mm	lbs	kg	lbf	kN	lbf	kN	rpm
SL11 914	2.756	70	3.937	100	1.732	44	2.536	1.15	32,000	142	60,000	265	3800
SL11 916	3.150	80	4.331	110	1.732	44	2.844	1.29	33,500	150	67,000	300	3400
SL11 918	3.543	90	4.921	125	2.047	52	4.41	2	46,000	205	96,000	425	3000
SL11 920	3.937	100	5.512	140	2.323	59	6.395	2.9	58,000	260	124,000	550	2700
SL11 922	4.331	110	5.906	150	2.323	59	6.946	3.15	61,000	270	135,000	600	2500
SL11 924	4.724	120	6.496	165	2.598	66	9.482	4.3	69,000	305	148,000	660	2300
SL11 926	5.118	130	7.087	180	2.874	73	12.7	5.75	80,000	355	173,000	770	2100
SL11 928	5.512	140	7.480	190	2.874	73	13.5	6.1	83,000	370	187,000	830	2000
SL11 930	5.906	150	8.268	210	3.465	88	21.4	9.7	126,000	560	275,000	1230	1800
SL11 932	6.299	160	8.661	220	3.465	88	22.5	10.2	130,000	580	300,000	1330	1700
SL11 934	6.693	170	9.055	230	3.465	88	23.8	10.8	135,000	600	315,000	1390	1600
SL11 936	7.087	180	9.843	250	3.976	101	34.6	15.7	175,000	780	405,000	1810	1500
SL11 938	7.480	190	10.236	260	3.976	101	36.2	16.4	180,000	800	425,000	1900	1400
SL11 940	7.874	200	11.024	280	4.567	116	50.3	22.8	211,000	940	500,000	2220	1400



Cylindrical Roller Bearings

SL14 SERIES

- Triple row
- Non-locating bearing
- ISO diameter series 9



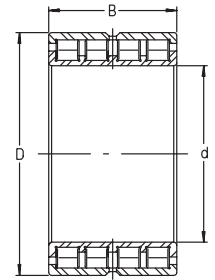
For details on part numbers, descriptive suffixes and various technical references, please refer to front of this section.
 For engineering or technical information contact your local sales representative or call Distributor Sales (800)523-6572.

PART NUMBER	SHAFT d	SHAFT d	OUTER RING OD D	OUTER RING OD D	BEARING WIDTH B	BEARING WIDTH B	WEIGHT PER PIECE	WEIGHT PER PIECE	DYN. CAP. C	DYN. CAP. C	STAT. CAP. C ₀	STAT. CAP. C ₀	SPEED LIMIT OIL
	inch	mm	inch	mm	inch	mm	lbs	kg	lbf	kN	lbf	kN	rpm
SL14 914	2.756	70	3.937	100	1.732	44	2.426	1.1	32,000	142	60,000	265	3800
SL14 916	3.150	80	4.331	110	1.732	44	2.756	1.25	33,500	150	67,000	300	3400
SL14 918	3.543	90	4.921	125	2.047	52	4.3	1.95	46,000	205	96,000	425	3000
SL14 920	3.937	100	5.512	140	2.323	59	6.284	2.85	58,000	260	124,000	550	2700
SL14 922	4.331	110	5.906	150	2.323	59	6.836	3.1	61,000	270	135,000	600	2500
SL14 924	4.724	120	6.496	165	2.598	66	9.261	4.2	69,000	305	148,000	660	2300
SL14 926	5.118	130	7.087	180	2.874	73	12.3	5.6	80,000	355	173,000	770	2100
SL14 928	5.512	140	7.480	190	2.874	73	13.2	6	83,000	370	187,000	830	2000
SL14 930	5.906	150	8.268	210	3.465	88	20.9	9.5	126,000	560	275,000	1230	1800
SL14 932	6.299	160	8.661	220	3.465	88	22.1	10	130,000	580	300,000	1330	1700
SL14 934	6.693	170	9.055	230	3.465	88	23.2	10.5	135,000	600	315,000	1390	1600
SL14 936	7.087	180	9.843	250	3.976	101	34.2	15.5	175,000	780	405,000	1810	1500
SL14 938	7.480	190	10.236	260	3.976	101	35.7	16.2	180,000	800	425,000	1900	1400
SL14 940	7.874	200	11.024	280	4.567	116	49.4	22.4	211,000	940	500,000	2220	1400

Cylindrical Roller Bearings

SL12 SERIES

- Quadruple row
- Locating bearing
- ISO diameter series 9



For details on part numbers, descriptive suffixes and various technical references, please refer to front of this section.
 For engineering or technical information contact your local sales representative or call Distributor Sales (800)523-6572.

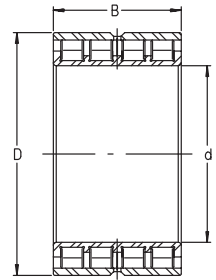
PART NUMBER	SHAFT d	SHAFT d	OUTER RING OD D	OUTER RING OD D	BEARING WIDTH B	BEARING WIDTH B	WEIGHT PER PIECE	WEIGHT PER PIECE	DYN. CAP. C	DYN. CAP. C	STAT. CAP. C ₀	STAT. CAP. C ₀	SPEED LIMIT OIL
	inch	mm	inch	mm	inch	mm	lbs	kg	lbf	kN	lbf	kN	rpm
SL12 914	2.756	70	3.937	100	2.244	57	3.285	1.49	40,000	177	80,000	355	3800
SL12 916	3.150	80	4.331	110	2.244	57	3.638	1.65	42,500	188	89,000	395	3400
SL12 918	3.543	90	4.921	125	2.677	68	5.843	2.65	57,000	255	126,000	560	3000
SL12 920	3.937	100	5.512	140	3.071	78	8.489	3.85	73,000	325	166,000	740	2700
SL12 922	4.331	110	5.906	150	3.071	78	9.261	4.2	76,000	340	180,000	800	2500
SL12 924	4.724	120	6.496	165	3.425	87	12.5	5.65	85,000	380	198,000	880	2300
SL12 926	5.118	130	7.087	180	3.780	96	16.6	7.55	100,000	445	232,000	1030	2100
SL12 928	5.512	140	7.480	190	3.780	96	17.8	8.05	103,000	460	247,000	1100	2000
SL12 930	5.906	150	8.268	210	4.567	116	28.2	12.8	157,000	700	370,000	1640	1800
SL12 932	6.299	160	8.661	220	4.567	116	29.8	13.5	164,000	730	400,000	1770	1700
SL12 934	6.693	170	9.055	230	4.567	116	31.3	14.2	169,000	750	420,000	1860	1600
SL12 936	7.087	180	9.843	250	5.236	133	45.6	20.7	218,000	970	540,000	2410	1500
SL12 938	7.480	190	10.236	260	5.236	133	47.6	21.6	225,000	1000	570,000	2550	1400
SL12 940	7.874	200	11.024	280	5.984	152	65.9	29.9	265,000	1180	660,000	2950	1400



Cylindrical Roller Bearings

SL15 SERIES

- Quadruple row
- Non-locating bearing
- ISO diameter series 9



For details on part numbers, descriptive suffixes and various technical references, please refer to front of this section.
 For engineering or technical information contact your local sales representative or call Distributor Sales (800)523-6572.

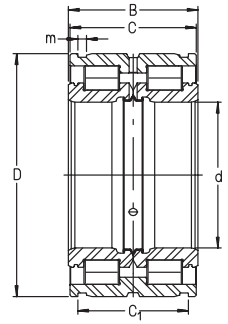
PART NUMBER	SHAFT	SHAFT	OUTER RING	OUTER RING	BEARING	BEARING	WEIGHT	WEIGHT	DYN. CAP.	DYN. CAP.	STAT. CAP.	STAT. CAP.	SPEED
	d	d	OD	OD	WIDTH	WIDTH	PER	PER	CAP.	CAP.	CAP.	CAP.	LIMIT
	inch	mm	inch	mm	inch	mm	lbs	kg	lbf	kN	lbf	kN	rpm
SL15 914	2.756	70	3.937	100	2.244	57	3.197	1.45	40,000	177	80,000	355	3800
SL15 916	3.150	80	4.331	110	2.244	57	3.528	1.6	42,500	188	89,000	395	3400
SL15 918	3.543	90	4.921	125	2.677	68	5.733	2.6	57,000	255	126,000	560	3000
SL15 920	3.937	100	5.512	140	3.071	78	8.379	3.8	73,000	325	166,000	740	2700
SL15 922	4.331	110	5.906	150	3.071	78	9.151	4.15	76,000	340	180,000	800	2500
SL15 924	4.724	120	6.496	165	3.425	87	12.2	5.55	85,000	380	198,000	880	2300
SL15 926	5.118	130	7.087	180	3.780	96	16.3	7.4	100,000	445	232,000	1030	2100
SL15 928	5.512	140	7.480	190	3.780	96	17.4	7.9	103,000	460	247,000	1100	2000
SL15 930	5.906	150	8.268	210	4.567	116	27.8	12.6	157,000	700	370,000	1640	1800
SL15 932	6.299	160	8.661	220	4.567	116	29.8	13.5	164,000	730	400,000	1770	1700
SL15 934	6.693	170	9.055	230	4.567	116	30.7	13.9	169,000	750	420,000	1860	1600
SL15 936	7.087	180	9.843	250	5.236	133	45.0	20.4	218,000	970	540,000	2410	1500
SL15 938	7.480	190	10.236	260	5.236	133	47.2	21.4	225,000	1000	570,000	2550	1400
SL15 940	7.874	200	11.024	280	5.984	152	64.8	29.4	265,000	1180	660,000	2950	1400



Cylindrical Roller Bearings

SL04 SERIES

- Double row sheave bearings
- Single and double sealed versions are available with suffix P or PP
- Locating bearing
- External snap ring grooves
- Inner ring and outer ring oil holes



For details on part numbers, descriptive suffixes and various technical references, please refer to front of this section.

For engineering or technical information contact your local sales representative or call Distributor Sales (800)523-6572.

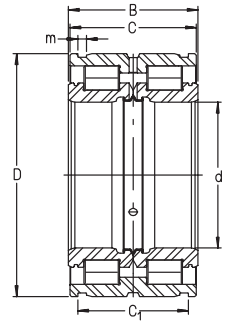
PART NUMBER	SHAFT	SHAFT	OD	OD	WIDTH	WIDTH	WIDTH	WIDTH	WEIGHT PER PIECE	WEIGHT PER PIECE
	d	d	D	D	INNER RING	INNER RING	OUTER RING	OUTER RING		
	inch	mm	inch	mm	inch	mm	inch	mm	lbs	kg
SL04 5004	0.787	20	1.654	42	1.181	30	1.142	29	0.441	0.2
SL04 5005	0.984	25	1.850	47	1.181	30	1.142	29	0.529	0.24
SL04 5006	1.181	30	2.165	55	1.339	34	1.299	33	0.816	0.37
SL04 5007	1.378	35	2.441	62	1.417	36	1.378	35	1.058	0.48
SL04 5008	1.575	40	2.677	68	1.496	38	1.457	37	1.235	0.56
SL04 5009	1.772	45	2.953	75	1.575	40	1.535	39	1.544	0.7
SL04 5010	1.969	50	3.150	80	1.575	40	1.535	39	1.676	0.76
SL04 5011	2.165	55	3.543	90	1.811	46	1.772	45	2.602	1.18
SL04 5012	2.362	60	3.740	95	1.811	46	1.772	45	2.778	1.26
SL04 5013	2.559	65	3.937	100	1.811	46	1.772	45	2.933	1.33
SL04 5014	2.756	70	4.331	110	2.126	54	2.087	53	4.123	1.87
SL04 5015	2.953	75	4.528	115	2.126	54	2.087	53	4.322	1.96
SL04 5016	3.150	80	4.921	125	2.362	60	2.323	59	5.976	2.71
SL04 5017	3.347	85	5.118	130	2.362	60	2.323	59	6.24	2.83
SL04 5018	3.543	90	5.512	140	2.638	67	2.598	66	8.181	3.71
SL04 5019	3.740	95	5.709	145	2.638	67	2.598	66	8.555	3.88
SL04 5020	3.937	100	5.906	150	2.638	67	2.598	66	8.71	3.95
SL04 5022	4.331	110	6.693	170	3.150	80	3.110	79	14.49	6.57
SL04 5024	4.724	120	7.087	180	3.150	80	3.110	79	15.52	7.04
SL04 130	5.118	130	7.48	190	3.15	80	3.11	79	16.5	7.5
SL04 5026	5.118	130	7.874	200	3.740	95	3.701	94	23.15	10.5
SL04 140	5.512	140	7.874	200	3.15	80	3.11	79	17.6	8
SL04 5028	5.512	140	8.268	210	3.740	95	3.701	94	24.48	11.1
SL04 150	5.906	150	8.268	210	3.15	80	3.11	79	18.5	8.4
SL04 5030	5.906	150	8.858	225	3.937	100	3.898	99	29.33	13.3
SL04 160	6.299	160	8.661	220	3.15	80	3.11	79	19.4	8.8
SL04 5032	6.299	160	9.449	240	4.291	109	4.252	108	36.60	16.6
SL04 170	6.693	170	9.055	230	3.15	80	3.11	79	20.5	9.3
SL04 5034	6.693	170	10.236	260	4.803	122	4.764	121	49.83	22.6
SL04 180	7.087	180	9.449	240	3.15	80	3.11	79	21.6	9.8
SL04 5036	7.087	180	11.024	280	5.354	136	5.315	135	66.37	30.1
SL04 190	7.48	190	10.236	260	3.15	80	3.11	79	28.0	12.7
SL04 5038	7.480	190	11.417	290	5.354	136	5.315	135	69.46	31.5
SL04 200	7.874	200	10.63	270	3.15	80	3.11	79	29.1	13.2
SL04 5040	7.874	200	12.205	310	5.906	150	5.866	149	89.96	40.8
SL04 220	8.661	220	11.811	300	3.74	95	3.701	94	43.0	19.5
SL04 5044	8.661	220	13.386	340	6.299	160	6.260	159	115.76	52.5
SL04 240	9.449	240	12.598	320	3.74	95	3.701	94	46.3	21
SL04 5048	9.449	240	14.173	360	6.299	160	6.260	159	123.48	56
SL04 260	10.236	260	13.386	340	3.74	95	3.701	94	49.6	22.5
SL04 5052	10.236	260	15.748	400	7.480	190	7.441	189	186.32	84.5
SL04 280	11.024	280	14.173	360	3.74	95	3.701	94	52.9	24
SL04 5056	11.024	280	16.535	420	7.480	190	7.441	189	198.45	90
SL04 300	11.811	300	14.961	380	3.74	95	3.701	94	56.2	25.5
SL04 5060	11.811	300	18.110	460	8.583	218	8.504	216	277.83	126



Cylindrical Roller Bearings

SL04 SERIES

- Double row sheave bearings
- Single and double sealed versions are available with suffix P or PP
- Locating bearing
- External snap ring grooves
- Inner ring and outer ring oil holes



For details on part numbers, descriptive suffixes and various technical references, please refer to front of this section.
 For engineering or technical information contact your local sales representative or call Distributor Sales (800)523-6572.

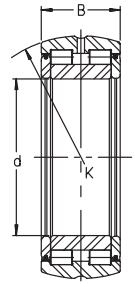
DYN. CAP. C	DYN. CAP. C	STAT. CAP. C ₀	STAT. CAP. C ₀	GROOVE C ₁	GROOVE C ₁	GROOVE WIDTH m	GROOVE WIDTH m	SNAP RING	SPEED LIMIT OIL	PART NUMBER
lbf	kN	lbf	kN	inch	mm	inch	mm		rpm	
9,300	41.5	11,200	50	0.972	24.7	0.071	1.8	WRE42	10000	SL04 5004
10,200	45.5	13,300	59	0.972	24.7	0.071	1.8	WRE47	9000	SL04 5005
11,700	52	15,500	69	1.110	28.2	0.083	2.1	WRE55	7500	SL04 5006
14,600	65	20,200	90	1.189	30.2	0.083	2.1	WRE62	6500	SL04 5007
18,400	82	25,500	113	1.268	32.2	0.106	2.7	WRE68	6000	SL04 5008
22,000	98	31,500	141	1.347	34.2	0.106	2.7	WRE75	5500	SL04 5009
23,200	103	34,500	154	1.347	34.2	0.106	2.7	WRE80	5000	SL04 5010
26,500	118	40,500	180	1.583	40.2	0.126	3.2	WRE90	4500	SL04 5011
27,500	123	44,000	195	1.583	40.2	0.126	3.2	WRE95	4200	SL04 5012
29,000	128	47,000	209	1.583	40.2	0.126	3.2	WRE100	3900	SL04 5013
38,500	172	61,000	270	1.898	48.2	0.165	4.2	WRE110	3600	SL04 5014
44,500	198	69,000	305	1.898	48.2	0.165	4.2	WRE115	3400	SL04 5015
46,500	206	75,000	335	2.134	54.2	0.165	4.2	WRE125	3200	SL04 5016
48,500	215	81,000	360	2.134	54.2	0.165	4.2	WRE130	3000	SL04 5017
70,000	310	117,000	520	2.331	59.2	0.165	4.2	WRE140	2800	SL04 5018
71,000	315	121,000	540	2.331	59.2	0.165	4.2	WRE145	2700	SL04 5019
74,000	330	124,000	550	2.331	59.2	0.165	4.2	WRE150	2600	SL04 5020
89,000	395	153,000	680	2.764	70.2	0.165	4.2	WRE170	2300	SL04 5022
92,000	410	166,000	740	2.803	71.2	0.165	4.2	WRE180	2200	SL04 5024
96,000	425	178,000	790	2.803	71.2	0.165	4.2	WRE190	2000	SL04 130
124,000	550	220,000	980	3.276	83.2	0.165	4.2	WRE200	2000	SL04 5026
100,000	445	189,000	840	2.803	71.2	0.165	4.2	WRE200	1900	SL04 140
142,000	630	250,000	1120	3.276	83.2	0.205	5.2	WRE210	1900	SL04 5028
105,000	465	207,000	920	2.803	71.2	0.205	5.2	WRE210	1800	SL04 150
160,000	710	285,000	1270	3.433	87.2	0.205	5.2	WRE225	1700	SL04 5030
108,000	480	218,000	970	2.803	71.2	0.205	5.2	WRE220	1700	SL04 160
166,000	740	310,000	1370	3.748	95.2	0.205	5.2	WRE240	1600	SL04 5032
110,000	490	232,000	1030	2.803	71.2	0.205	5.2	WRE230	1600	SL04 170
216,000	960	395,000	1760	4.221	107.2	0.205	5.2	WRE260	1500	SL04 5034
112,000	500	243,000	1080	2.803	71.2	0.205	5.2	WRE240	1500	SL04 180
255,000	1140	480,000	2140	4.654	118.2	0.205	5.2	WRE280	1400	SL04 5036
117,000	520	260,000	1160	2.882	73.2	0.205	5.2	WRE260	1400	SL04 190
265,000	1170	500,000	2230	4.654	118.2	0.205	5.2	WRE290	1400	SL04 5038
121,000	540	270,000	1210	2.882	73.2	0.205	5.2	WRE270	1400	SL04 200
310,000	1370	600,000	2650	5.047	128.2	0.248	6.3	WRE310	1300	SL04 5040
162,000	720	355,000	1590	3.276	83.2	0.205	5.2	WRE300	1200	SL04 220
355,000	1580	700,000	3100	5.441	138.2	0.248	6.3	WRE340	1200	SL04 5044
166,000	740	385,000	1710	3.276	83.2	0.248	6.3	WRE320	1200	SL04 240
370,000	1650	750,000	3350	5.441	138.2	0.248	6.3	WRE360	1100	SL04 5048
191,000	850	450,000	2010	3.276	83.2	0.248	6.3	WRE340	1100	SL04 260
540,000	2380	1,060,000	4700	6.386	162.2	0.248	6.3	WRE400	1000	SL04 5052
196,000	870	480,000	2130	3.276	83.2	0.248	6.3	WRE360	1000	SL04 280
580,000	2600	1,170,000	5200	6.425	163.2	0.287	7.3	WRE420	950	SL04 5056
202,000	900	510,000	2260	3.276	83.2	0.248	6.3	WRE380	950	SL04 300
670,000	3000	1,330,000	5900	7.291	185.2	0.287	7.3	WRE460	850	SL04 5060



Cylindrical Roller Bearings

SL05 SERIES

- Double row
- Locating bearing
- Spherical OD for static self aligning
- Used with GG51 or FG split housings



For details on part numbers, descriptive suffixes and various technical references, please refer to front of this section.
 For engineering or technical information contact your local sales representative or call Distributor Sales (800)523-6572.

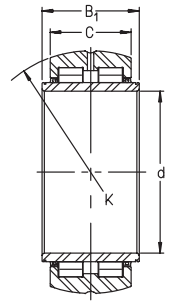
PART NUMBER	SHAFT	SHAFT	OUTER RING	OUTER RING	BEARING	BEARING	WEIGHT	WEIGHT	DYN. CAP.	DYN. CAP.	STAT. CAP.	STAT. CAP.	MATING HOUSING	SPEED LIMIT OIL
	d	d	OD	OD	WIDTH	WIDTH	PER	PER	C	C	C ₀	C ₀		
	inch	mm	inch	mm	inch	mm	lbs	kg	lbf	kN	lbf	kN		rpm
SL05 016 E	3.150	80	4.724	120	1.772	45	3.749	1.7	38,500	172	67,000	300	GG 51 120	1300
SL05 018 E	3.543	90	5.512	140	1.969	50	6.174	2.8	49,000	219	83,000	370	GG 51 140	1200
SL05 020 E	3.937	100	5.906	150	2.165	55	7.277	3.3	63,000	280	110,000	490	GG 51 150	1100
SL05 022 E	4.331	110	6.693	170	2.362	60	10.8	4.9	76,000	340	139,000	620	GG 51 170	950
SL05 024 E	4.724	120	7.087	180	2.362	60	11.5	5.2	79,000	350	148,000	660	GG 51 180	850
SL05 026 E	5.118	130	7.874	200	2.559	65	16.3	7.4	98,000	435	182,000	810	GG 51 200	800
SL05 028 E	5.512	140	8.268	210	2.756	70	18.1	8.2	111,000	495	209,000	930	GG 51 210	750
SL05 030 E	5.906	150	8.858	225	2.953	75	22.1	10	121,000	540	229,000	1020	GG 51 225	700
SL05 032 E	6.299	160	9.449	240	3.543	90	30.2	13.7	148,000	660	285,000	1260	GG 51 240	650
SL05 034 E	6.693	170	10.236	260	3.740	95	38.4	17.4	171,000	760	320,000	1420	GG 51 260	600
SL05 036 E	7.087	180	11.024	280	3.937	100	48.7	22.1	178,000	790	340,000	1520	GG 51 280	550
SL05 038 E	7.480	190	11.417	290	4.331	110	55.3	25.1	214,000	950	415,000	1850	GG 51 290	550
SL05 040 E	7.874	200	12.205	310	4.528	115	67.3	30.5	241,000	1070	465,000	2060	GG 51 310	500
SL05 044 E	8.661	220	13.386	340	4.921	125	88.2	40	285,000	1260	550,000	2440	GG 51 340	460
SL05 048 E	9.449	240	14.173	360	5.118	130	97.0	44	295,000	1310	580,000	2600	GG 51 360	430



Cylindrical Roller Bearings

SL06 SERIES

- Double row
- Non-locating bearing
- Spherical OD for static self aligning
- Used with GG51 or FG split housings



For details on part numbers, descriptive suffixes and various technical references, please refer to front of this section.
For engineering or technical information contact your local sales representative or call Distributor Sales (800)523-6572.

PART NUMBER	SHAFT	SHAFT	OD	OD	WIDTH	WIDTH	OUTER RING	OUTER RING	WEIGHT PER PIECE	WEIGHT PER PIECE
	d	d	K	K	B1	B1	WIDTH	WIDTH		
	inch	mm	inch	mm	inch	mm	inch	mm	lbs	kg
SL06 016 E	3.150	80	4.724	120	2.165	55	1.772	45	3.969	1.8
SL06 018 E	3.543	90	5.512	140	2.362	60	1.969	50	6.505	2.95
SL06 020 E	3.937	100	5.906	150	2.559	65	2.165	55	7.607	3.45
SL06 022 E	4.331	110	6.693	170	2.953	75	2.362	60	11.5	5.2
SL06 024 E	4.724	120	7.087	180	2.953	75	2.362	60	12.1	5.5
SL06 026 E	5.118	130	7.874	200	3.150	80	2.559	65	17.2	7.8
SL06 028 E	5.512	140	8.268	210	3.347	85	2.756	70	18.9	8.55
SL06 030 E	5.906	150	8.858	225	3.543	90	2.953	75	23.2	10.5
SL06 032 E	6.299	160	9.449	240	4.331	110	3.543	90	31.5	14.3
SL06 034 E	6.693	170	10.236	260	4.528	115	3.740	95	39.9	18.1
SL06 036 E	7.087	180	11.024	280	4.724	120	3.937	100	50.7	23
SL06 038 E	7.480	190	11.417	290	5.315	135	4.331	110	58.4	26.5
SL06 040 E	7.874	200	12.205	310	5.512	140	4.528	115	70.6	32
SL06 044 E	8.661	220	13.386	340	5.906	150	4.921	125	92.6	42
SL06 048 E	9.449	240	14.173	360	6.102	155	5.118	130	101.4	46

CONTINUED FROM ABOVE

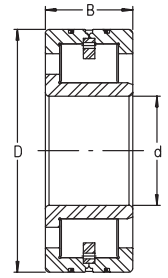
PART NUMBER	DYN. CAP.	DYN. CAP.	STAT. CAP.	STAT. CAP.	AXIAL PLAY	AXIAL PLAY	MATING HOUSING	SPEED LIMIT OIL
	C	C	C ₀	C ₀	s	s		
	lbf	kN	lbf	kN	inch	mm		rpm
SL06 016 E	38,500	172	67,000	300	0.098	2.5	GG51120	1300
SL06 018 E	49,000	219	83,000	370	0.098	2.5	GG51140	1200
SL06 020 E	63,000	280	110,000	490	0.098	2.5	GG51150	1100
SL06 022 E	76,000	340	139,000	620	0.197	5	GG51170	950
SL06 024 E	79,000	350	148,000	660	0.197	5	GG51180	850
SL06 026 E	98,000	435	182,000	810	0.197	5	GG51200	800
SL06 028 E	111,000	495	209,000	930	0.197	5	GG51210	750
SL06 030 E	121,000	540	229,000	1020	0.197	5	GG51225	700
SL06 032 E	148,000	660	285,000	1260	0.295	7.5	GG51240	650
SL06 034 E	171,000	760	320,000	1420	0.295	7.5	GG51260	600
SL06 036 E	178,000	790	340,000	1520	0.295	7.5	GG51280	550
SL06 038 E	214,000	950	415,000	1850	0.394	10	GG51290	550
SL06 040 E	241,000	1070	465,000	2060	0.394	10	GG51310	500
SL06 044 E	285,000	1260	550,000	2440	0.394	10	GG51340	460
SL06 048 E	295,000	1310	580,000	2600	0.394	10	GG51360	430



Cylindrical Roller Bearings

LSL SERIES

- Semi-locating single row
- With brass disk separator
- Reduced friction
- Increased speed limit



For details on part numbers, descriptive suffixes and various technical references, please refer to front of this section.
 For engineering or technical information contact your local sales representative or call Distributor Sales (800)523-6572.

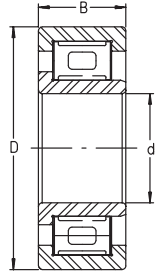
PART NUMBER	SHAFT	SHAFT	OD	OD	WIDTH	WIDTH	WEIGHT	WEIGHT	DYN. CAP.	DYN. CAP.	STAT. CAP.	STAT. CAP.	SPEED
	d	d	D	D	B	B			C	C	C ₀	C ₀	LIMIT
	inch	mm	inch	mm	inch	mm	lbs	kg	lbf	kN	lbf	kN	OIL
													rpm
LSL19 2320	3.937	100	8.465	215	2.874	73	28.2	12.8	151,000	670	180,000	800	6500
LSL19 2322	4.331	110	9.449	240	3.150	80	38.1	17.3	178,000	790	211,000	940	5600
LSL19 2324	4.724	120	10.236	260	3.386	86	48.5	22	214,000	950	260,000	1150	5300
LSL19 2326	5.118	130	11.024	280	3.661	93	60.0	27.2	241,000	1070	290,000	1300	4900
LSL19 2328	5.512	140	11.811	300	4.016	102	75.0	34	270,000	1200	330,000	1470	4600
LSL19 2330	5.906	150	12.598	320	4.252	108	89.7	40.7	320,000	1420	400,000	1780	4200
LSL19 2332	6.299	160	13.386	340	4.488	114	106.0	48.05	360,000	1600	455,000	2020	3900
LSL19 2334	6.693	170	14.173	360	4.724	120	126.8	57.5	390,000	1740	500,000	2230	3800
LSL19 2336	7.087	180	14.961	380	4.961	126	148.6	67.4	415,000	1850	550,000	2440	3500
LSL19 2338	7.480	190	15.748	400	5.197	132	172.2	78.1	500,000	2230	660,000	2950	3400
LSL19 2340	7.874	200	16.535	420	5.433	138	196.9	89.3	530,000	2340	690,000	3050	3200
LSL19 2344	8.661	220	18.110	460	5.709	145	238.1	108	560,000	2500	720,000	3200	2900
LSL19 2348	9.449	240	19.685	500	6.102	155	305.6	138.6	620,000	2750	800,000	3550	2700
LSL19 2352	10.236	260	21.260	540	6.496	165	370.4	168	760,000	3400	990,000	4400	2400
LSL19 2356	11.024	280	22.835	580	6.890	175	455.6	206.6	830,000	3700	1,090,000	4850	2300
LSL19 2360	11.811	300	24.409	620	7.284	185	557.9	253	940,000	4200	1,260,000	5600	2200



Cylindrical Roller Bearings

ZSL SERIES

- Semi-locating single row
- With plastic roller separators
- Reduced friction
- Increased speed limit



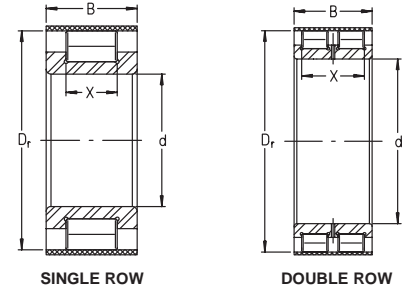
For details on part numbers, descriptive suffixes and various technical references, please refer to front of this section.
 For engineering or technical information contact your local sales representative or call Distributor Sales (800)523-6572.

PART NUMBER	SHAFT	SHAFT	OD	OD	WIDTH	WIDTH	WEIGHT	WEIGHT	DYN. CAP.	DYN. CAP.	STAT. CAP.	STAT. CAP.	SPEED LIMIT OIL rpm
	d	d	D	D	B	B			C	C	C ₀	C ₀	
	inch	mm	inch	mm	inch	mm	lbs	kg	lbf	kN	lbf	kN	
ZSL19 2305	0.984	25	2.441	62	0.945	24	0.794	0.36	13,700	61	12,400	55	16000
ZSL19 2306	1.181	30	2.835	72	1.063	27	1.213	0.55	18,900	84	18,200	81	14000
ZSL19 2307	1.378	35	3.150	80	1.221	31	1.588	0.72	23,800	106	23,400	104	12000
ZSL19 2308	1.575	40	3.543	90	1.299	33	2.205	1	32,000	143	32,500	144	11000
ZSL19 2309	1.772	45	3.937	100	1.417	36	2.955	1.34	34,500	153	36,000	160	10000
ZSL19 2310	1.969	50	4.331	110	1.575	40	3.881	1.76	44,000	196	45,500	202	9000
ZSL19 2311	2.165	55	4.724	120	1.693	43	4.895	2.22	51,000	228	53,000	236	80000
ZSL19 2312	2.362	60	5.118	130	1.811	46	6.218	2.82	55,000	244	58,000	260	7400
ZSL19 2313	2.559	65	5.512	140	1.890	48	7.585	3.44	67,000	300	74,000	330	6800
ZSL19 2314	2.756	70	5.906	150	2.008	51	9.415	4.27	73,000	325	81,000	360	6400
ZSL19 2315	2.953	75	6.299	160	2.165	55	11.466	5.2	88,000	390	99,000	440	6000
ZSL19 2316	3.150	80	6.693	170	2.284	58	13.671	6.2	101,000	450	115,000	510	5600
ZSL19 2317	3.347	85	7.087	180	2.362	60	15.942	7.23	109,000	485	128,000	570	5300
ZSL19 2318	3.543	90	7.480	190	2.520	64	19.184	8.7	119,000	530	137,000	610	5000
ZSL19 2319	3.740	95	7.874	200	2.638	67	22.050	10	126,000	560	151,000	670	4800
ZSL19 2320	3.937	100	8.465	215	2.874	73	28.004	12.7	151,000	670	180,000	800	4400
ZSL19 2322	4.331	110	9.449	240	3.150	80	36.383	16.5	180,000	800	205,000	910	4000
ZSL19 2324	4.724	120	10.236	260	3.386	86	48.290	21.9	214,000	950	260,000	1150	3700

Cylindrical Roller Bearings

RSL18 SERIES

- Single and double row designs without outer ring
- For large gearboxes and hardened gear bore mounting
- Double flanged inner ring



For details on part numbers, descriptive suffixes and various technical references, please refer to front of this section.
 For engineering or technical information contact your local sales representative or call Distributor Sales (800)523-6572.

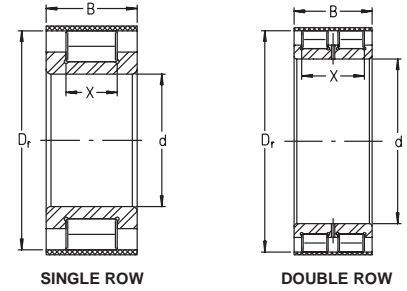
PART NUMBER	SHAFT	SHAFT	HSG. BORE	HSG. BORE	WIDTH	WIDTH	WIDTH	WIDTH	WGT.	WGT.	DYN. CAP.	DYN. CAP.	STAT. CAP.	STAT. CAP.	SPEED LIMIT	THRUST SPACER
	d	d	D _r	D _r	B	B	X	X	lbs	kg	C	C	C ₀	C ₀	OIL rpm	
	inch	mm	inch	mm	inch	mm	inch	mm			lbf	kN	lbf	kN		
RSL18 3004	0.787	20	1.449	36.81	0.630	16	0.354	9	0.137	0.062	6,200	27.5	6,000	26.5	10000	F 90016
RSL18 5004	0.787	20	1.449	36.81	1.181	30	0.906	23	0.265	0.12	10,700	47.5	11,900	53	10000	F 90016
RSL18 2204	0.787	20	1.633	41.47	0.709	18	0.472	12	0.221	0.1	9,200	41	8,400	37.5	9500	F 91911
RSL18 3005	0.984	25	1.674	42.51	0.630	16	0.354	9	0.172	0.078	7,100	31.5	7,300	32.5	9000	F87722
RSL18 5005	0.984	25	1.674	42.51	1.181	30	0.906	23	0.318	0.144	12,100	54	14,600	65	9000	F87722
RSL18 2205	0.984	25	1.832	46.52	0.709	18	0.472	12	0.256	0.116	10,300	46	10,100	45	8500	F 91212
RSL18 2305	0.984	25	2.115	53.717	0.945	24	0.591	15	0.463	0.21	14,200	63	12,800	57	7500	F 92059
RSL18 3006	1.181	30	1.953	49.6	0.748	19	0.394	10	0.265	0.12	9,100	40.5	9,700	43	7500	F 87606
RSL18 5006	1.181	30	1.953	49.6	1.339	34	1.024	26	0.595	0.27	15,700	70	19,300	86	7500	F 87606
RSL18 2206	1.181	30	2.173	55.19	0.787	20	0.551	14	0.408	0.185	13,700	61	14,200	63	7000	F 91913
RSL18 2306	1.181	30	2.453	62.3	1.063	27	0.709	18	0.728	0.33	19,600	87	19,100	85	6500	F 92060
RSL18 3007	1.378	35	2.186	55.52	0.787	20	0.433	11	0.331	0.15	11,100	49.5	12,400	55	6500	F 87733
RSL18 5007	1.378	35	2.186	55.52	1.417	36	1.102	28	0.617	0.28	19,100	85	24,500	109	6500	F 87733
RSL18 2207	1.378	35	2.519	63.97	0.906	23	0.591	15	0.584	0.265	17,100	76	17,300	77	6000	F 91635
RSL18 2307	1.378	35	2.861	72.68	1.221	31	0.787	20	1.103	0.5	25,500	113	25,000	112	5500	F 92061
RSL18 3008	1.575	40	2.431	61.74	0.827	21	0.472	12	0.415	0.188	13,300	59	15,300	68	6000	F 87723
RSL18 5008	1.575	40	2.431	61.74	1.496	38	1.181	30	0.77	0.349	22,700	101	30,500	136	6000	F 87723
RSL18 2208	1.575	40	2.793	70.94	0.906	23	0.591	15	0.723	0.328	18,900	84	20,000	89	5500	F 91397
RSL18 2308	1.575	40	3.273	83.124	1.299	33	0.945	24	1.632	0.74	34,000	152	35,000	155	5000	F 92062
RSL18 3009	1.772	45	2.632	66.85	0.906	23	0.472	12	0.485	0.22	14,200	63	17,100	76	5500	F 87591
RSL18 5009	1.772	45	2.632	66.85	1.575	40	1.181	30	0.882	0.4	24,300	108	34,000	151	5500	F 87591
RSL18 2209	1.772	45	2.930	74.43	0.906	23	0.591	15	0.728	0.33	19,800	88	21,600	96	5000	F 91914
RSL18 2309	1.772	45	3.477	88.322	1.417	36	0.945	24	1.808	0.82	36,500	162	37,000	165	4500	F 92063
RSL18 3010	1.969	50	2.848	72.33	0.906	23	0.551	14	0.545	0.247	17,300	77	20,700	92	5000	F 87608
RSL18 5010	1.969	50	2.848	72.33	1.575	40	1.299	33	1.014	0.46	29,500	131	41,500	184	5000	F 87608
RSL18 2210	1.969	50	3.205	81.4	0.906	23	0.591	15	0.882	0.4	21,400	95	24,500	109	4600	F 90398
RSL18 2310	1.969	50	3.887	98.718	1.575	40	1.102	28	2.602	1.18	46,000	205	48,500	215	4100	F 92064
RSL18 3011	2.165	55	3.289	83.54	1.024	26	0.669	17	0.886	0.402	23,600	105	30,000	134	4500	F 91631
RSL18 5011	2.165	55	3.289	83.54	1.811	46	1.535	39	1.896	0.86	40,000	179	61,000	270	4500	F 91631
RSL18 2211	2.165	55	3.497	88.81	0.984	25	0.709	18	1.164	0.528	27,500	122	32,500	145	4200	F 91915
RSL18 2311	2.165	55	4.296	109.114	1.693	43	1.181	30	3.418	1.55	54,000	242	57,000	255	3700	F 92065
RSL18 3012	2.362	60	3.415	86.74	1.024	26	0.669	17	0.937	0.425	24,300	108	31,500	141	4200	F 88659
RSL18 5012	2.362	60	3.415	86.74	1.811	46	1.535	39	1.973	0.895	41,500	184	63,000	280	4200	F 88659
RSL18 2212	2.362	60	3.904	99.17	1.102	28	0.787	20	1.665	0.755	34,000	152	40,000	179	3800	F 201710
RSL18 2312	2.362	60	4.552	115.62	1.811	46	1.181	30	3.969	1.8	58,000	260	63,000	280	3400	F 92066
RSL18 3013	2.559	65	3.665	93.1	1.024	26	0.669	17	1.085	0.492	25,500	113	34,500	154	3900	F 91809
RSL18 5013	2.559	65	3.665	93.1	1.811	46	1.535	39	2.073	0.94	43,500	194	70,000	310	3900	F 91809
RSL18 2213	2.559	65	4.183	106.25	1.221	31	0.866	22	2.062	0.935	40,000	177	48,000	213	3500	F 90399
RSL18 2313	2.559	65	4.988	126.69	1.890	48	1.339	34	5.226	2.37	71,000	315	80,000	355	3200	F 92067
RSL18 3014	2.756	70	3.948	100.28	1.181	30	0.709	18	1.316	0.597	30,000	134	38,500	171	3600	F 88831
RSL18 5014	2.756	70	3.948	100.28	2.126	54	1.654	42	2.47	1.12	51,000	229	76,000	340	3600	F 88831
RSL18 2214	2.756	70	4.371	111.01	1.221	31	0.866	22	2.165	0.982	41,000	183	51,000	226	3300	F 201701
RSL18 2314	2.756	70	5.202	132.14	2.008	51	1.417	36	5.821	2.64	78,000	345	88,000	390	2900	F 92068
RSL18 3015	2.953	75	4.248	107.9	1.181	30	0.709	18	1.596	0.724	31,500	141	42,500	188	3400	F 89121
RSL18 5015	2.953	75	4.248	107.9	2.126	54	1.654	42	2.977	1.35	54,000	242	84,000	375	3400	F 89121
RSL18 2215	2.953	75	4.558	115.78	1.221	31	0.866	22	2.271	1.03	42,500	190	54,000	239	3200	F 90400



Cylindrical Roller Bearings

RSL18 SERIES

- Single and double row designs without outer ring
- For large gearboxes and hardened gear bore mounting
- Double flanged inner ring



For details on part numbers, descriptive suffixes and various technical references, please refer to front of this section.
 For engineering or technical information contact your local sales representative or call Distributor Sales (800)523-6572.

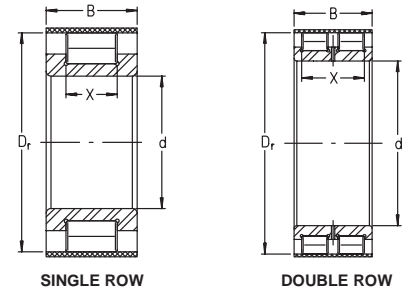
PART NUMBER	SHAFT d	SHAFT d	HSG. BORE Dr	HSG. BORE Dr	WIDTH B	WIDTH B	WIDTH X	WIDTH X	WGT.	WGT.	DYN. CAP. C	DYN. CAP. C	STAT. CAP. C ₀	STAT. CAP. C ₀	SPEED LIMIT OIL	THRUST SPACER
	inch	mm	inch	mm	inch	mm	inch	mm	lbs	kg	lbf	kN	lbf	kN	rpm	
RSL18 2315	2.953	75	5.639	143.22	2.165	55	1.575	40	7.585	3.44	92,000	410	107,000	475	2800	F 92069
RSL18 3016	3.150	80	4.606	116.99	1.339	34	0.787	20	2.09	0.948	39,000	173	50,000	224	3200	F 91633
RSL18 5016	3.150	80	4.606	116.99	2.362	60	1.850	47	3.969	1.8	66,000	295	101,000	450	3200	F 91633
RSL18 2216	3.150	80	4.953	125.81	1.299	33	0.945	24	2.933	1.33	50,000	223	63,000	280	2900	F 200908
RSL18 2316	3.150	80	6.072	154.24	2.284	58	1.732	44	9.592	4.35	108,000	480	126,000	560	2600	F 92070
RSL18 3017	3.347	85	4.781	121.44	1.339	34	0.787	20	2.19	0.993	40,000	178	53,000	235	3000	F 91559
RSL18 5017	3.347	85	4.781	121.44	2.362	60	1.850	47	4.079	1.85	69,000	305	106,000	470	3000	F 91559
RSL18 2217	3.347	85	5.245	133.21	1.417	36	1.024	26	3.55	1.61	57,000	255	72,000	320	2800	F 90401
RSL18 2317	3.347	85	6.418	163.01	2.362	60	1.732	44	11.0	5	115,000	510	139,000	620	2400	F 92071
RSL18 3018	3.543	90	5.122	130.11	1.457	37	0.866	22	2.822	1.28	46,500	207	63,000	280	2800	F 91544
RSL18 5018	3.543	90	5.122	130.11	2.638	67	2.047	52	5.733	2.6	80,000	355	126,000	560	2800	F 91544
RSL18 2218	3.543	90	5.536	140.61	1.575	40	1.102	28	4.322	1.96	64,000	285	82,000	365	2600	F 204890
RSL18 2318	3.543	90	6.506	165.26	2.520	64	1.890	48	11.4	5.17	126,000	560	148,000	660	2300	F 92072
RSL18 2319	3.740	95	6.876	174.66	2.638	67	1.890	48	13.3	6.03	130,000	580	162,000	720	2200	F 92073
RSL18 3020	3.937	100	5.498	139.65	1.457	37	0.866	22	3.043	1.38	49,000	218	69,000	305	2600	F 91810
RSL18 5020	3.937	100	5.498	139.65	2.638	67	2.047	52	5.733	2.6	84,000	375	137,000	610	2600	F 91810
RSL18 2220	3.937	100	6.410	162.81	1.811	46	1.339	34	7.387	3.35	88,000	390	117,000	520	2300	F 91917
RSL18 2320	3.937	100	7.374	187.303	2.874	73	2.165	55	17.0	7.7	160,000	710	193,000	860	2100	F 92074
RSL18 3022	4.331	110	6.147	156.13	1.772	45	1.024	26	4.608	2.09	64,000	285	89,000	395	2300	F 91634
RSL18 5022	4.331	110	6.147	156.13	3.150	80	2.441	62	8.71	3.95	110,000	490	178,000	790	2300	F 91634
RSL18 2222	4.331	110	6.969	177	2.087	53	1.417	36	9.305	4.22	102,000	455	133,000	590	2100	
RSL18 2322	4.331	110	8.593	218.27	3.150	80	2.205	56	22.7	10.31	189,000	840	218,000	970	1900	F 92075
RSL18 3024	4.724	120	6.598	167.58	1.811	46	1.024	26	5.314	2.41	67,000	300	98,000	435	2200	F 91546
RSL18 5024	4.724	120	6.598	167.58	3.150	80	2.441	62	9.967	4.52	117,000	520	196,000	870	2200	F 91546
RSL18 2224	4.724	120	7.572	192.32	2.284	58	1.575	40	12.3	5.57	119,000	530	164,000	730	1900	F 91918
RSL18 2324	4.724	120	9.110	231.386	3.386	86	2.520	64	37.6	17.04	223,000	990	275,000	1220	1700	F 92076
RSL18 3026	5.118	130	7.237	183.81	2.047	52	1.339	34	7.607	3.45	97,000	430	137,000	610	2000	F 91811
RSL18 5026	5.118	130	7.237	183.81	3.740	95	3.071	78	14.8	6.7	166,000	740	275,000	1220	2000	F 91811
RSL18 2226	5.118	130	8.154	207.12	2.520	64	1.732	44	16.5	7.5	142,000	630	193,000	860	1800	
RSL18 3028	5.512	140	7.788	197.82	2.087	53	1.339	34	9.305	4.22	102,000	455	151,000	670	1900	F 91815
RSL18 5028	5.512	140	7.788	197.82	3.740	95	3.071	78	17.5	7.914	175,000	780	300,000	1340	1900	F 91815
RSL18 2228	5.512	140	8.737	221.92	2.677	68	1.890	48	20.3	9.2	162,000	720	229,000	1020	1700	
RSL18 3030	5.906	150	8.143	206.82	2.205	56	1.339	34	12.8	5.81	107,000	475	157,000	700	1700	F 91813
RSL18 5030	5.906	150	8.143	206.82	3.937	100	3.150	80	18.1	8.215	182,000	810	315,000	1400	1700	F 91813
RSL18 2230	5.906	150	9.319	236.71	2.874	73	2.047	52	24.3	11	187,000	830	265,000	1180	1500	
RSL18 3032	6.299	160	8.850	224.8	2.362	60	1.417	36	15.5	7.02	121,000	540	182,000	810	1600	F 91814
RSL18 5032	6.299	160	8.850	224.8	4.291	109	3.386	86	24.5	11.09	209,000	930	365,000	1620	1600	F 91814
RSL18 2232	6.299	160	10.487	266.36	3.150	80	2.284	58	36.8	16.7	229,000	1020	330,000	1460	1400	
RSL18 3034	6.693	170	9.562	242.87	2.638	67	1.732	44	18.1	8.21	160,000	710	241,000	1070	1500	F 91815
RSL18 5034	6.693	170	9.562	242.87	4.803	122	3.937	100	34.4	15.6	270,000	1210	480,000	2140	1500	F 91815
RSL18 2234	6.693	170	11.067	281.09	3.386	86	2.441	62	43.7	19.8	255,000	1140	375,000	1660	1400	
RSL18 3036	7.087	180	10.245	260.22	2.913	74	1.890	48	24.9	11.3	184,000	820	285,000	1260	1400	F 91816
RSL18 5036	7.087	180	10.245	260.22	5.354	136	4.331	110	45.1	20.45	315,000	1400	560,000	2500	1400	F 91816
RSL18 2236	7.087	180	11.544	293.22	3.386	86	2.441	62	47.0	21.3	265,000	1180	395,000	1760	1300	F 206052
RSL18 3038	7.480	190	10.621	269.76	2.953	75	1.890	48	26.2	11.9	189,000	840	295,000	1320	1400	F 91817
RSL18 5038	7.480	190	10.621	269.76	5.354	136	4.331	110	46.7	21.2	325,000	1440	600,000	2650	1400	F 91817



Cylindrical Roller Bearings

RSL18 SERIES

- Single and double row designs without outer ring
- For large gearboxes and hardened gear bore mounting
- Double flanged inner ring



For details on part numbers, descriptive suffixes and various technical references, please refer to front of this section.
 For engineering or technical information contact your local sales representative or call Distributor Sales (800)523-6572.

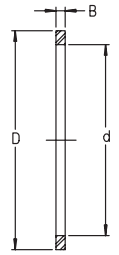
PART NUMBER	SHAFT d inch	SHAFT d mm	HSG. BORE D _r inch	HSG. BORE D _r mm	WIDTH B inch	WIDTH B mm	WIDTH X inch	WIDTH X mm	WGT. lbs	WGT. kg	DYN. CAP. C lbf	DYN. CAP. C kN	STAT. CAP. C ₀ lbf	STAT. CAP. C ₀ kN	SPEED LIMIT OIL rpm	THRUST SPACER
RSL18 2238	7.480	190	12.232	310.68	3.622	92	2.520	64	55.3	25.1	290,000	1300	425,000	1900	1200	
RSL18 3040	7.874	200	11.329	287.75	3.228	82	2.047	52	33.5	15.2	216,000	960	345,000	1530	1300	F 91818
RSL18 5040	7.874	200	11.329	287.75	5.906	150	4.724	120	60.4	27.4	370,000	1650	690,000	3050	1300	F 91818
RSL18 2240	7.874	200	12.543	318.6	3.858	98	2.677	68	58.2	26.4	320,000	1420	460,000	2040	1200	



Cylindrical Roller Bearings

Thrust Spacers

- For use with RSL 18 series bearings
- For transfer of roller thrust into locating snap rings



For details on part numbers, descriptive suffixes and various technical references, please refer to front of this section.
 For engineering or technical information contact your local sales representative or call Distributor Sales (800)523-6572.

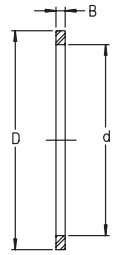
PART NUMBER	BEARING SHAFT mm	SHAFT d inch	SHAFT d mm	OD D inch	OD D mm	WIDTH B inch	WIDTH B mm	WEIGHT lbs	WEIGHT g	REFERENCE NUMBER
F 91911	20	1.378	35	1.614	41	0.075	1.9	0.01	4.7	RSL18 2204
F 91212	25	1.575	40	1.811	46	0.075	1.9	0.013	6	RSL18 2205
F 91913	30	1.890	48	2.165	55	0.071	1.8	0.018	8	RSL18 2206
F 91635	35	2.165	55	2.500	63.5	0.098	2.5	0.031	13.9	RSL18 2207
F 90397	40	2.520	64	2.776	70.5	0.098	2.5	0.026	12	RSL18 2208
F 91914	45	2.559	65	2.913	74	0.098	2.5	0.042	19	RSL18 2209
F 90398	50	2.835	72	3.189	81	0.098	2.5	0.044	20	RSL18 2210
F 91915	55	3.150	80	3.484	88.5	0.067	1.7	0.03	13.5	RSL18 2211
F 201710	60	3.543	90	3.878	98.5	0.085	2.15	0.046	21	RSL18 2212
F 90399	65	3.780	96	4.154	105.5	0.085	2.15	0.055	25	RSL18 2213
F 201701	70	3.976	101	4.350	110.5	0.085	2.15	0.058	26.4	RSL18 2214
F 90400	75	4.134	105	4.528	115	0.085	2.15	0.064	29	RSL18 2215
F 200908	80	4.528	115	4.921	125	0.085	2.15	0.07	31.6	RSL18 2216
F 90401	85	4.724	120	5.228	132.8	0.104	2.65	0.11	50	RSL18 2217
F 204890	90	5.079	129	5.512	140	0.146	3.7	0.143	65	RSL18 2218
F 91917	100	5.906	150	6.378	162	0.146	3.7	0.187	85	RSL18 2220
	110									RSL18 2222
F 91918	120	6.693	170	7.559	192	0.264	6.7	0.719	326	RSL18 2224
	130									RSL18 2226
	140									RSL18 2228
	150									RSL18 2230
	160									RSL18 2232
	170									RSL18 2234
F 206052	180	10.630	270	11.535	293	0.358	9.1	1.59	721	RSL18 2236
	190									RSL18 2238
	200									RSL18 2240
F 90016	20	1.260	32	1.449	36.8	0.098	2.5	0.01	4.5	RSL18 3004
F87722	25	1.457	37	1.673	42.5	0.095	2.4	0.012	5.5	RSL18 3005
F 87606	30	1.654	42	1.941	49.3	0.128	3.25	0.025	11.5	RSL18 3006
F 87733	35	1.969	50	2.185	55.5	0.128	3.25	0.024	11	RSL18 3007
F 87723	40	2.165	55	2.421	61.5	0.128	3.25	0.03	13.8	RSL18 3008
F 87591	45	2.362	60	2.618	66.5	0.158	4	0.041	18.5	RSL18 3009
F 87608	50	2.559	65	2.835	72	0.118	3	0.035	16	RSL18 3010
F 91631	55	2.953	75	3.287	83.5	0.106	2.7	0.045	20.5	RSL18 3011
F 88659	60	3.150	80	3.406	86.5	0.106	2.7	0.044	20	RSL18 3012
F 91809	65	3.347	85	3.661	93	0.106	2.7	0.047	21.2	RSL18 3013
F 88831	70	3.543	90	3.937	100	0.163	4.15	0.099	45	RSL18 3014
F 89121	75	3.937	100	4.244	107.8	0.146	3.7	0.074	33.5	RSL18 3015
F 91633	80	4.134	105	4.602	116.9	0.185	4.7	0.154	70	RSL18 3016
F 91559	85	4.331	110	4.780	121.4	0.185	4.7	0.154	70	RSL18 3017
F 91544	90	4.724	120	5.118	130	0.205	5.2	0.176	80	RSL18 3018
F 91810	100	4.961	126	5.492	139.5	0.205	5.2	0.232	105	RSL18 3020
F 91634	110	5.433	138	6.142	156	0.284	7.2	0.441	200	RSL18 3022
F 91546	120	5.906	150	6.595	167.5	0.303	7.7	0.573	260	RSL18 3024
F 91811	130	6.496	165	7.205	183	0.260	6.6	0.529	240	RSL18 3026
F 91812	140	7.008	178	7.756	197	0.280	7.1	0.662	300	RSL18 3028



Cylindrical Roller Bearings

Thrust Spacers

- For use with RSL 18 series bearings
- For transfer of roller thrust into locating snap rings



For details on part numbers, descriptive suffixes and various technical references, please refer to front of this section.
For engineering or technical information contact your local sales representative or call Distributor Sales (800)523-6572.

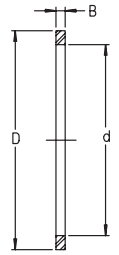
PART NUMBER	BEARING SHAFT mm	SHAFT d inch	SHAFT d mm	OD D inch	OD D mm	WIDTH B inch	WIDTH B mm	WEIGHT lbs	WEIGHT g	REFERENCE NUMBER
F 91813	150	7.402	188	8.110	206	0.319	8.1	0.772	350	RSL18 3030
F 91814	160	7.874	200	8.819	224	0.358	9.1	1.235	560	RSL18 3032
F 91815	170	8.465	215	9.528	242	0.339	8.6	1.433	650	RSL18 3034
F 91816	180	9.055	230	10.197	259	0.398	10.1	1.918	870	RSL18 3036
F 91817	190	9.646	245	10.551	268	0.413	10.5	1.676	760	RSL18 3038
F 91818	200	10.236	260	11.260	286	0.472	12	2.293	1040	RSL18 3040
F 92059	25	1.850	47	2.106	53.5	0.130	3.3	0.025	11.5	RSL18 2305
F 92060	30	2.165	55	2.441	62	0.130	3.3	0.033	15.1	RSL18 2306
F 92061	35	2.520	64	2.854	72.5	0.158	4	0.062	28	RSL18 2307
F 92062	40	3.032	77	3.268	83	0.118	3	0.035	16	RSL18 2308
F 92063	45	3.110	79	3.465	88	0.165	4.2	0.088	40	RSL18 2309
F 92064	50	3.543	90	3.878	98.5	0.165	4.2	0.084	37.9	RSL18 2310
F 92065	55	3.937	100	4.291	109	0.165	4.2	0.099	45	RSL18 2311
F 92066	60	4.134	105	4.551	115.6	0.224	5.7	0.176	80	RSL18 2312
F 92067	65	4.606	117	4.980	126.5	0.185	4.7	0.148	67	RSL18 2313
F 92068	70	4.764	121	5.197	132	0.205	5.2	0.176	80	RSL18 2314
F 92069	75	5.197	132	5.630	143	0.205	5.2	0.221	100	RSL18 2315
F 92070	80	5.669	144	6.063	154	0.185	4.7	0.198	90	RSL18 2316
F 92071	85	5.945	151	6.417	163	0.224	5.7	0.29	131.5	RSL18 2317
F 92072	90	6.024	153	6.496	165	0.224	5.7	0.287	130	RSL18 2318
F 92073	95	6.299	160	6.870	174.5	0.284	7.2	0.463	210	RSL18 2319
F 92074	100	6.811	173	7.362	187	0.264	6.7	0.485	220	RSL18 2320
F 92075	110	7.835	199	8.583	218	0.362	9.2	0.992	450	RSL18 2322
F 92076	120	8.425	214	9.095	231	0.319	8.1	0.827	375	RSL18 2324
F 90016	20	1.260	32	1.449	36.8	0.098	2.5	0.01	4.5	RSL18 5004
F 87722	25	1.457	37	1.673	42.5	0.095	2.4	0.012	5.5	RSL18 5005
F 87606	30	1.654	42	1.941	49.3	0.128	3.25	0.025	11.5	RSL18 5006
F 87733	35	1.969	50	2.185	55.5	0.128	3.25	0.024	11	RSL18 5007
F 87723	40	2.165	55	2.421	61.5	0.128	3.25	0.03	13.8	RSL18 5008
F 87591	45	2.362	60	2.618	66.5	0.158	4	0.041	18.5	RSL18 5009
F 87608	50	2.559	65	2.835	72	0.118	3	0.035	16	RSL18 5010
F 91631	55	2.953	75	3.287	83.5	0.106	2.7	0.045	20.5	RSL18 5011
F 88659	60	3.150	80	3.406	86.5	0.106	2.7	0.044	20	RSL18 5012
F 91809	65	3.347	85	3.661	93	0.106	2.7	0.047	21.2	RSL18 5013
F 88831	70	3.543	90	3.937	100	0.163	4.15	0.099	45	RSL18 5014
F 89121	75	3.937	100	4.244	107.8	0.146	3.7	0.074	33.5	RSL18 5015
F 91633	80	4.134	105	4.602	116.9	0.185	4.7	0.154	70	RSL18 5016
F 91559	85	4.331	110	4.780	121.4	0.185	4.7	0.154	70	RSL18 5017
F 91544	90	4.724	120	5.118	130	0.205	5.2	0.176	80	RSL18 5018
F 91810	100	4.961	126	5.492	139.5	0.205	5.2	0.232	105	RSL18 5020
F 91634	110	5.433	138	6.142	156	0.284	7.2	0.441	200	RSL18 5022
F 91546	120	5.906	150	6.595	167.5	0.303	7.7	0.573	260	RSL18 5024
F 91811	130	6.496	165	7.205	183	0.260	6.6	0.529	240	RSL18 5026
F 91812	140	7.008	178	7.756	197	0.280	7.1	0.662	300	RSL18 5028
F 91813	150	7.402	188	8.110	206	0.319	8.1	0.772	350	RSL18 5030
F 91814	160	7.874	200	8.819	224	0.358	9.1	1.235	560	RSL18 5032



Cylindrical Roller Bearings

Thrust Spacers

- For use with RSL 18 series bearings
- For transfer of roller thrust into locating snap rings



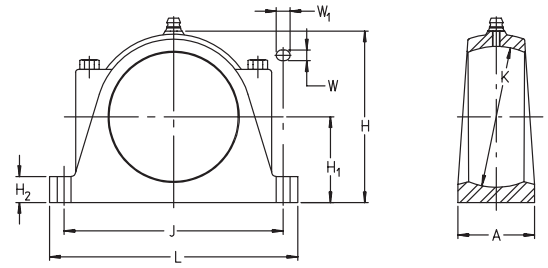
For details on part numbers, descriptive suffixes and various technical references, please refer to front of this section.
 For engineering or technical information contact your local sales representative or call Distributor Sales (800)523-6572.

PART NUMBER	BEARING SHAFT mm	SHAFT d inch	SHAFT d mm	OD D inch	OD D mm	WIDTH B inch	WIDTH B mm	WEIGHT lbs	WEIGHT g	REFERENCE NUMBER
F 91815	170	8.465	215	9.528	242	0.339	8.6	1.433	650	RSL18 5034
F 91816	180	9.055	230	10.197	259	0.398	10.1	1.918	870	RSL18 5036
F 91817	190	9.646	245	10.551	268	0.413	10.5	1.676	760	RSL18 5038
F 91818	200	10.236	260	11.260	286	0.472	12	2.293	1040	RSL18 5040

Pillow Block Housings

GG SERIES

- Split design
- For aligning cylindrical roller bearings (Series SL05 & SL06)



For details on part numbers, descriptive suffixes and various technical references, please refer to front of this section.
 For engineering or technical information contact your local sales representative or call Distributor Sales (800)523-6572.

PART NUMBER	K mm	H inch	H mm	L inch	L mm	A inch	A mm	WGT. lbs	WGT. kg	H ₁ inch	H ₁ mm
GG 51 120	120	5.591	142	10.236	260	2.756	70	9.482	4.3	2.756	70
GG 51 140	140	6.89	175	11.417	290	3.15	80	16.097	7.3	3.543	90
GG 51 150	150	7.283	185	12.992	330	3.346	85	20.507	9.3	3.74	95
GG 51 170	170	8.189	208	13.78	350	3.543	90	24.917	11.3	4.134	105
GG 51 180	180	8.661	220	14.173	360	3.543	90	27.563	12.5	4.331	110
GG 51 200	200	9.646	245	16.535	420	4.528	115	45.203	20.5	4.921	125
GG 51 210	210	10.039	255	17.323	440	4.724	120	51.377	23.3	5.118	130
GG 51 225	225	10.827	275	18.11	460	5.118	130	63.945	29	5.512	140
GG 51 240	240	11.614	295	18.701	475	5.512	140	76.293	34.6	5.906	150
GG 51 260	260	12.795	325	20.669	525	5.906	150	94.815	43	6.299	160
GG 51 280	280	13.78	350	21.26	540	6.299	160	110.25	50	6.89	175
GG 51 290	290	14.173	360	22.638	575	6.693	170	132.3	60	7.087	180
GG 51 310	310	14.961	380	23.819	605	7.087	180	152.145	69	7.48	190
GG 51 340	340	16.339	415	25.197	640	7.48	190	171.99	78	8.268	210
GG 51 360	360	17.52	445	26.378	670	8.268	210	207.27	94	9.055	230

