

MONTON[®]



精密轴承 High Precision Bearing

MONTON[®]

Luoyang Monton Bearing Science & Technology Co.,Ltd.

No.119 JianShe Road,Luoyang 471039,Henan,China

Tel:+86 13213639372

Whatsapp:+86 13213639372

Skype:+86 13213639372

Email:montonbearing@outlook.com

www.montonbearings.com

洛阳盟拓轴承科技有限公司

LUOYANG MONTON BEARING SCIENCE & TECHNOLOGY CO.,LTD.

Company profile

盟拓轴承成立于2001年，坐落于“千年古都、牡丹花城”洛阳，我们专注轴承领域20多年，专注于“高新科技、精密、先进、非标”轴承的研发。盟拓轴承的使命是一直并将继续为客户提供完整的集成解决方案，其中包括设计、开发、制造、测试以及完善的售后服务。盟拓轴承主要生产角接触球轴承、精密交叉滚子轴承、推力轴承组和TC向心轴承、等截面薄壁轴承、串列推力圆柱滚子轴承和谐波传动轴承和定制的非标轴承。为浙大、哈尔工大、北京科技、北京交通、中国石油等多所知名院校的重要科研项目做出突出贡献，并赢得用户的好评。

Monton bearing was established in 2001 seated in Luoyang--“Ancient Imperial Capital and Peony Flower City”, we focusing on the bearing field for more than 20 years and we specializing in the development of "High-tech, High precision, Advanced, Non-standard" bearings. Monton's mission has been and will continue to be to provide customers with complete integrated solutions, including design and development, manufacturing, testing and evaluation, and second-to-none after-sales service. Monton bearing is mainly engaged in the production of the angular contact ball bearing, High precision crossed roller bearing, Thrust bearing stacks and TC radial bearings, Low temperature, The section ball bearing, Cylindrical roller bearing, Spherical roller bearing, Thrust roller ball bearings and harmonic drives bearing and the customized non-standard bearings. We made outstanding contributions to the important scientific research projects of many well-known universities such as Zhejiang University, Harbin University of technology, Beijing University of science and technology, Beijing Jiaotong University and China University of petroleum and won high praise from users.

我们生产内径0.6mm至外径5m的轴承和部件。我们的产品已广泛应用于机床、石油钻井、低温泵、矿山、冶金、港口机械、医疗器械、挤出机齿轮箱、水泥、纺织、工业机器人、谐波传动、造纸机械、混凝土搅拌机、轧机等工业领域。

We have batch production on high-grade bearing products and components with an inner diameter of 0.6mm to an outer diameter of 5m. Our products have been widely used in Machine tools, Weapons, Oil drilling, Cryogenic pumps, Mining, Metallurgy, Port machinery, Medical treatment, Extruder gearboxes, Cement, Textiles, Industrial robots, Harmonic drives, Paper machinery, Concrete mixers, Rolling mill and national defense industry field.

凭借先进的生产设备和完善的检测技术，确保所生产产品的质量和精度。我们的技术部门可以根据客户的需求快速完成新产品的设计，如需要非标轴承的客户也可以根据需求进行定制。我们的质量体系定期监控各种生产设施并遵守严格的质量要求，产品材料证书和认证报告都保存在文件中，产品具有可追溯性，可应要求提供。因此，我们有信心为全球客户提供配套的解决方案。

With advanced production equipment and perfect testing technology, MONTON can guarantee the quality and accuracy of the products we produced. Our technical department can efficiently complete the bearing design according to customer needs, and customers who need non-standard bearings can also enjoy customized services. Our quality system regularly monitors various production facilities and complies with strict quality requirements. All material certificates and certification reports are kept in files. Products are traceable and can be provided on request. Therefore, we are confident to provide the best solutions for global customers.

我们具有创新精神，有动力和勇气为我们的客户提供必要的解决方案，我们的管理层和员工随时准备提供专业和为我们的客户提供个性化服务。盟拓未来将坚持品牌发展战略，加强高端产品的研发，努力打造数字化工厂，携手更多的合作伙伴，同心经营，共创美好未来！

We are innovative, motivated and courageous to provide our customers with necessary solutions. Our management and employees are always ready to provide professional and personalized services to our customers. In the future, MONTON will adhere to the brand development strategy, strengthen the research and development of high-end products, strive to build a digital factory, and join hands with more partners to work together for a better future!

公司精神：诚实、守信、互惠、互利；

公司方针：质量为本；

公司经营理念：诚信、守诺；

公司宗旨：为客户解决问题，让客户利益最大化！

Company spirit: Honesty, Trustworthiness, Mutual benefit and Mutual benefit;

Company policy: Quality-oriented;

Company Business philosophy: Honesty;

Company principle: Solve customers problems and maximize customer benefits!

Contents 目录

- 01 • 精密角接触球轴承
Precision Angular Contact Ball Bearings
- 02 • 双向推力角接触球轴承
Double Direction Angular Contact Ball Bearings
- 03 • 丝杠用推力角接触球轴承
Precision Ball Screw Support Bearings
- 04 • 精密圆柱滚子轴承
Precision Cylindrical Roller Bearings
- 05 • 精密圆锥滚子轴承
Precision Tapered Roller Bearings
- 06 • 低温轴承
Low Temperature Bearing
- 07 • 电机轴承
Servo Motor Bearing

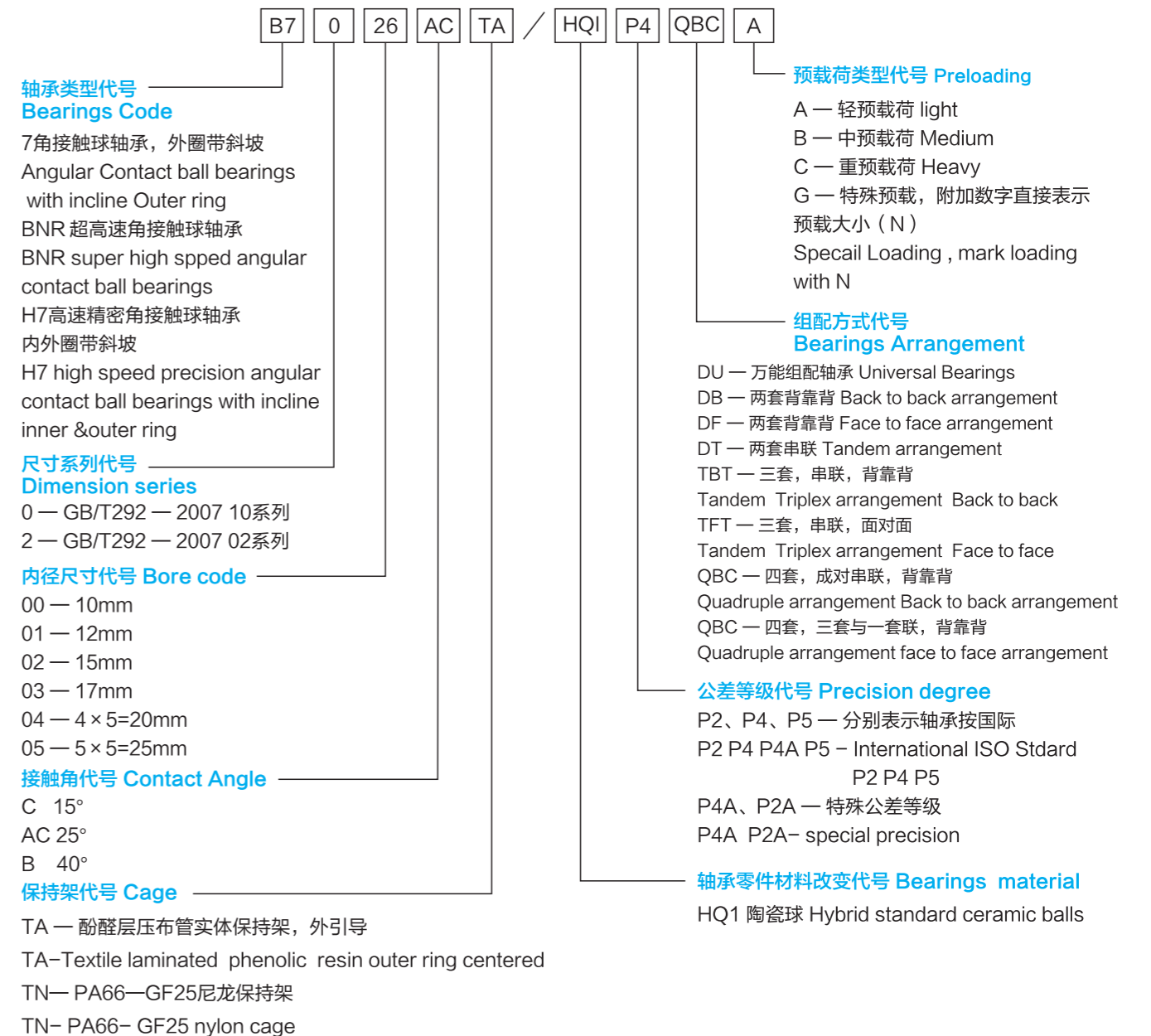
精密角接触球轴承

Precision Angular Contact Ball Bearings



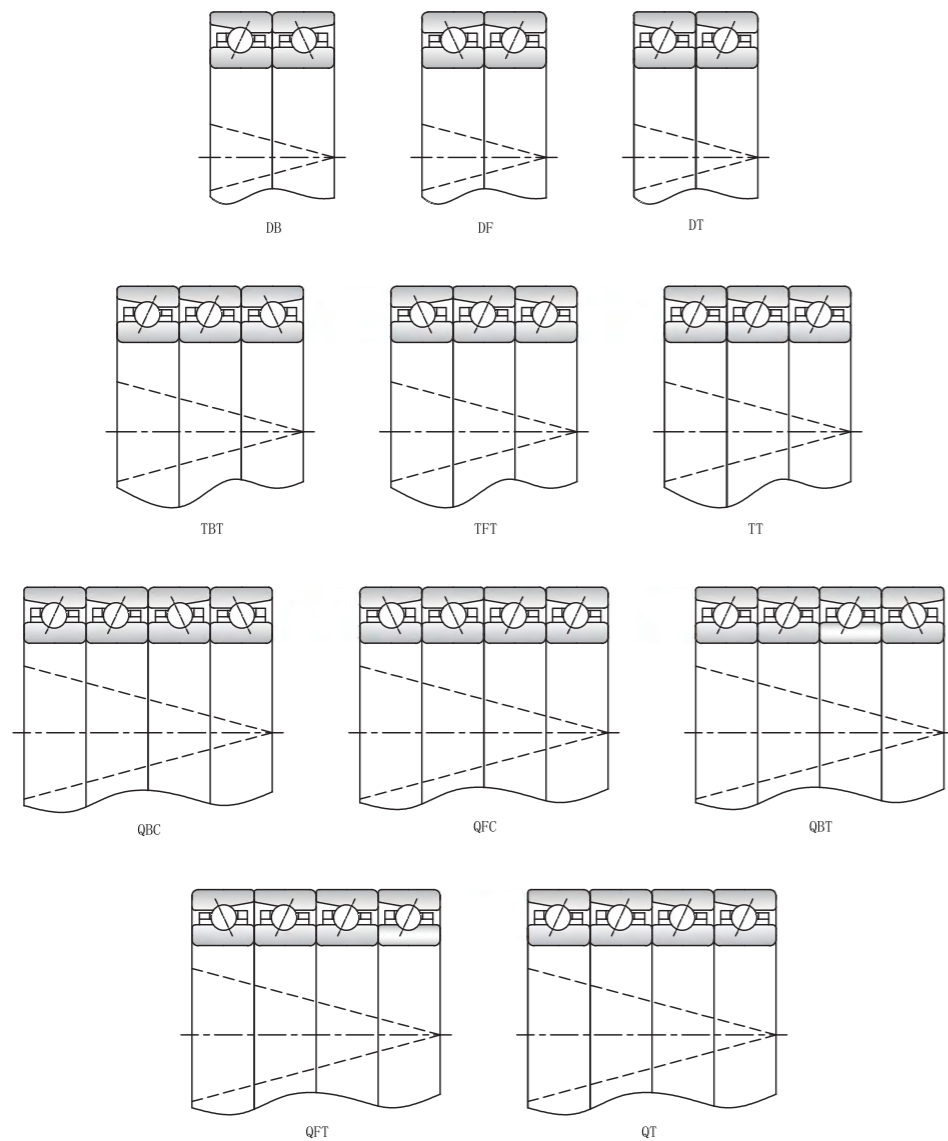
● Precision Angular Contact Ball Bearings

代号例 Bearings Designation system:



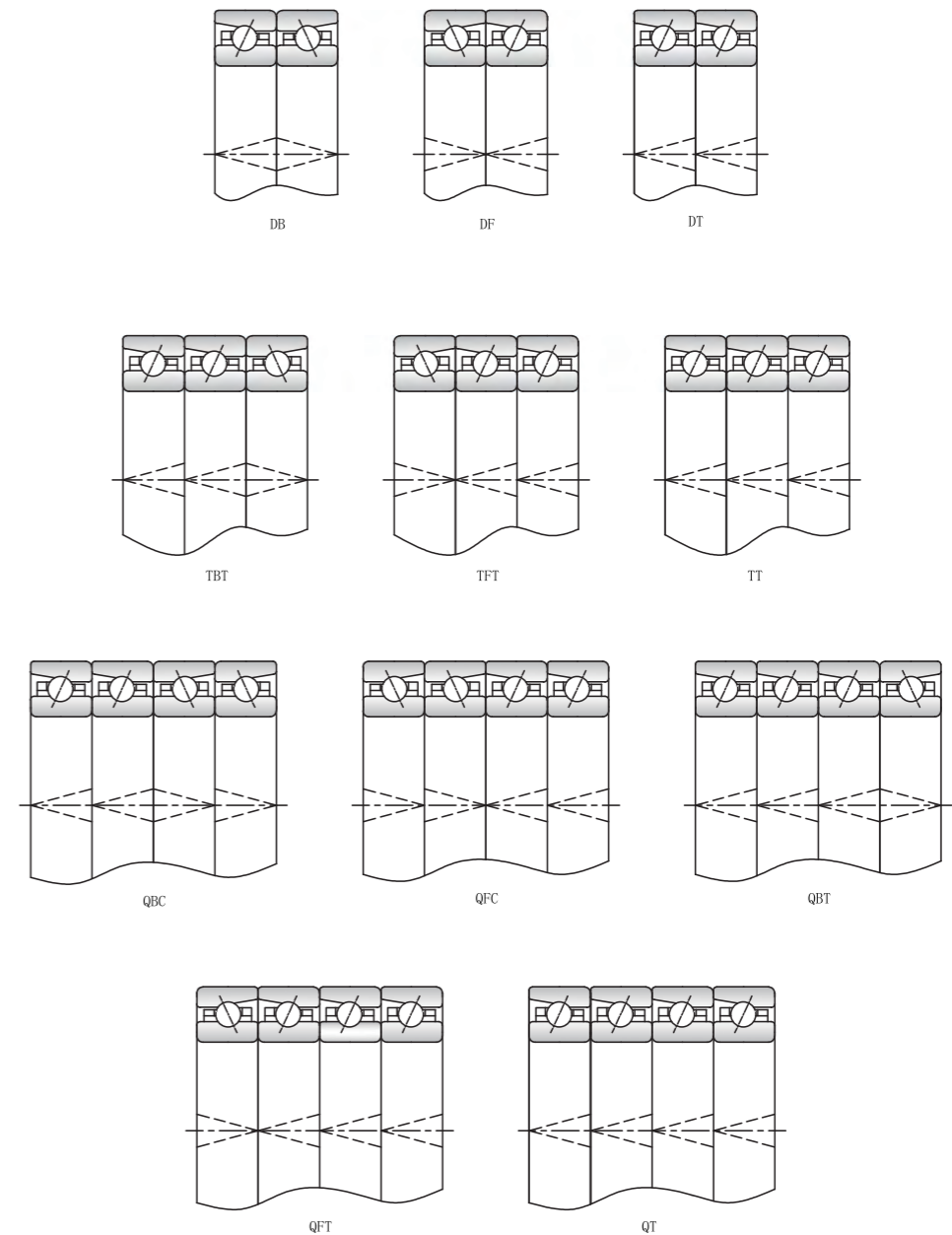
● Angular contact ball bearings arrangement

Angular contact ball bearings can be configured according to different loads. Ex.: DB back-to-back, DF face-to-face and DT Tandem arrangement, also can arrange triple or quarter combine types, arrangement as the picture shows. Tandem type, ex. DT TT&QT, only withstand single direction axial load. The above combined configuration is not interchangeable, Therefore, after the combination, there is marks < on bearings outer ring surface. The user must not change the position of the bearing by willing. In order to improve the accuracy of bearing installation, The inner ring run out K_{ia} , outer Rings run out K_{ea} , max point mark on inner & outer rings. For the user to install the bearing, the inside and outside diameter of the bearing and the matched shaft and the seat hole are properly configured, so that the spindle can obtain the best geometric precision and rotation accuracy. There is suffix after the arrangement, A B or C , A: light preload, B: Medium load, C: heavy load.



轴承组配方式 Bearing arrangement

MONTON can provided universal types according to user's requirements. It's can interchangeable, users can configure various arrangement according to their needs, universal code U, and after U, follow the preload code, A B or C. Universal arrangement, each bearings with mark < on outer ring. Below shows DB DF DT arrangement ect. with marks, others, similar as below. About the arrangement technical, refer to: Technical requirements for angular contact ball bearings assembly GB/T 32334-2015.



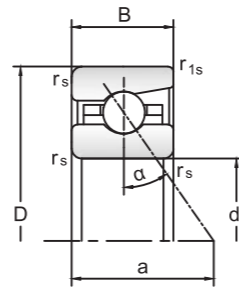
受力方向 Forced Direction

MONTON provide costumed preload according to customer request, and different arrangement bearings.

高速精密角接触球轴承
Precision Angular Contact Ball Bearings

7000C Series $\alpha=15^\circ$

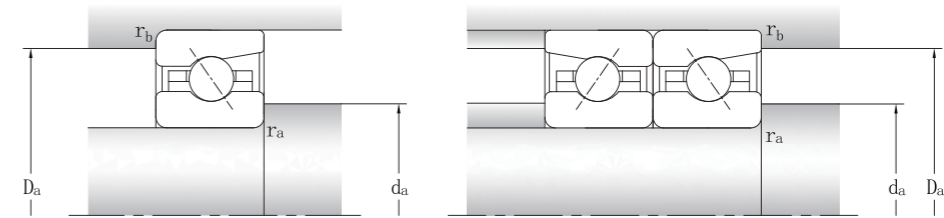
7000AC Series $\alpha=25^\circ$



尺寸表 · 单位: mm Dimenisons Unit:mm

轴承 Bearings code	尺寸 Demension					安装尺寸 Abutment Dimensions				额定载荷 Loading ratings	
	d	D	B	r _{amin}	r _{1min}	d _a	Da/Db	r _a	r _b	Cr	Cor
	mm					min	max	max	max	kN	
7004C	20	42	12	0.6	0.15	24.5	37.5	0.6	0.15	9.6	6.3
7004AC	20	42	12	0.6	0.15	24.5	37.5	0.6	0.15	9.2	6
7005C	25	47	12	0.6	0.15	29	43	0.6	0.15	12.9	8.7
7005AC	25	47	12	0.6	0.15	29	43	0.6	0.15	12.3	8.3
7006C	30	55	13	1.0	0.3	34.5	50.5	1.0	0.3	15.7	11.6
7006AC	30	55	13	1.0	0.3	34.5	50.5	1.0	0.3	14.9	10.9
7007C	35	62	14	1.0	0.3	40.5	56.5	1.0	0.3	19.3	17.5
7007AC	35	62	14	1.0	0.3	40.5	56.5	1.0	0.3	18.3	16.6
7008C	40	68	15	1.0	0.3	46	62	1.0	0.3	19.9	19.1
7008AC	40	68	15	1.0	0.3	46	62	1.0	0.3	18.9	18.2
7009C	45	75	16	1.0	0.3	50.5	69.5	1.0	0.3	26.7	25.3
7009AC	45	75	16	1.0	0.3	50.5	69.5	1.0	0.3	25.4	24.1
7010C	50	80	16	1.0	0.3	55.5	74.5	1.0	0.3	27.6	27.5
7010AC	50	80	16	1.0	0.3	55.5	74.5	1.0	0.3	26.2	26.2
7011C	55	90	18	1.1	0.6	61.5	83.5	1.1	0.6	36.7	37.1
7011AC	55	90	18	1.1	0.6	61.5	83.5	1.1	0.6	34.8	35.3
7012C	60	95	18	1.1	0.6	66.5	88.5	1.1	0.6	37.8	40
7012AC	60	95	18	1.1	0.6	66.5	88.5	1.1	0.6	35.8	38
7013C	65	100	18	1.1	0.6	71.5	93.5	1.1	0.6	38.9	42.9
7013AC	65	100	18	1.1	0.6	71.5	93.5	1.1	0.6	36.8	40.7
7014C	70	110	20	1.1	0.6	77.5	103	1.1	0.6	49.9	55.5
7014AC	70	110	20	1.1	0.6	77.5	103	1.1	0.6	47.2	52.7
7015C	75	115	20	1.1	0.6	82.5	108	1.1	0.6	51.3	59.2
7015AC	75	115	20	1.1	0.6	82.5	108	1.1	0.6	48.5	56.2
7016C	80	125	22	1.1	0.6	88	117	1.1	0.6	61.6	70.4
7016AC	80	125	22	1.1	0.6	88	117	1.1	0.6	58.3	66.9
7017C	85	130	22	1.1	0.6	93	122	1.1	0.6	63.3	75
7017AC	85	130	22	1.1	0.6	93	122	1.1	0.6	59.9	71.3

注: 若需要本尺寸表中未列入的轴承, 请与我们联系。
Note: If the bearings not list here, please contact with us.

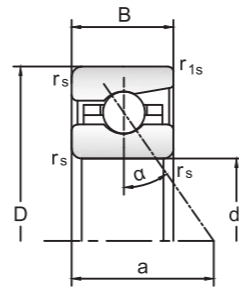


极限转速 Attainable Speed		预载荷 Preloading Force			轴向刚度 Axial Rigidity			重量 Weight
脂Lub.	油Oil	A(轻)	B(中)	C(重)	A(轻)	B(中)	C(重)	≈
r/min		N			N/μm			Kg
38000	56000	50	150	300	24	35	44	0.06
34000	50000	80	240	480	64	90	113	0.06
34000	50000	65	190	380	29	42	53	0.07
30000	45000	105	310	620	77	108	136	0.07
28000	43000	80	240	480	35	50	63	0.11
24000	38000	130	390	780	92	128	161	0.11
20000	34000	100	300	600	39	56	71	0.15
19000	32000	165	490	980	104	146	183	0.15
19000	32000	105	310	620	41	59	75	0.19
17000	28000	170	510	1020	109	153	193	0.19
17000	28000	140	420	840	46	67	85	0.23
16000	26000	320	690	1380	123	172	216	0.23
16000	26000	145	430	860	49	71	89	0.25
15000	24000	235	700	1400	130	182	229	0.25
14000	22000	195	580	1160	56	81	103	0.37
13000	20000	315	940	1880	150	210	264	0.37
14000	20000	500	600	1200	59	85	108	0.39
12000	19000	325	970	1940	158	221	278	0.39
13000	20000	210	630	1260	62	90	114	0.42
11000	18000	330	990	1900	165	232	292	0.42
12000	19000	270	810	1620	70	102	129	0.59
10000	17000	425	1270	2540	188	263	331	0.59
11000	18000	248	820	1640	74	106	135	0.62
9500	16000	435	1300	2600	197	276	346	0.62
10000	17000	330	990	1980	78	113	144	0.83
9000	15000	525	1570	3140	209	294	369	0.83
9500	16000	340	1000	2000	82	119	150	0.87
8500	14000	540	1620	3240	219	307	386	0.87

高速精密角接触球轴承
Precision Angular Contact Ball Bearings

7000C Series $\alpha=15^\circ$

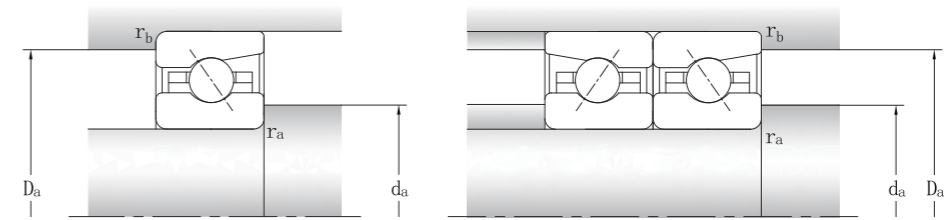
7000AC Series $\alpha=25^\circ$



尺寸表 · 单位: mm Dimenisons Unit:mm

轴承 Bearings code	尺寸 Demension					安装尺寸 Abutment Dimensions				额定载荷 Loading ratings	
	d	D	B	r _{amin}	r _{1min}	d _a	Da/Db	r _a	r _b	Cr	Cor
	mm					min	max	max	max	kN	
7018C	90	140	24	1.5	0.6	100.5	130	1.5	0.6	66.9	84
7018AC	90	140	24	1.5	0.6	100.5	130	1.5	0.6	63.2	79.7
7019C	95	145	24	1.5	0.6	104	136	1.5	0.6	79.1	97.6
7019AC	95	145	24	1.5	0.6	104	136	1.5	0.6	74.8	92.7
7020C	100	150	24	1.5	0.6	109	141	1.5	0.6	81.2	103.3
7020AC	100	150	24	1.5	0.6	109	141	1.5	0.6	76.7	98
7021C	105	160	26	2.0	1.0	115	150	2.0	1.0	93.9	118.2
7021AC	105	160	26	2.0	1.0	115	150	2.0	1.0	88.8	112.2
7022C	110	170	28	2.0	1.0	121	159	2.0	1.0	110.4	139.8
7022AC	110	170	28	2.0	1.0	121	159	2.0	1.0	104.4	132.8
7024C	120	180	28	2.0	1.0	131	169	2.0	1.0	112.7	148.7
7024AC	120	180	28	2.0	1.0	131	169	2.0	1.0	106.5	141.1
7026C	130	200	33	2.0	1.0	142.5	187.5	2.0	1.0	144.8	190.8
7026AC	130	200	33	2.0	1.0	142.5	187.5	2.0	1.0	136.8	181
7028C	140	210	33	2.0	1.0	152.5	197.5	2.0	1.0	148.7	202.6
7028AC	140	210	33	2.0	1.0	152.5	197.5	2.0	1.0	140.4	192.2
7030C	150	225	35	2.1	1.1	163.5	211.5	2.1	1.1	168.4	232.5
7030AC	150	225	35	2.1	1.1	163.5	211.5	2.1	1.1	159.1	220.6
7032C	160	240	38	2.1	1.1	174.5	225.5	2.1	1.1	189.1	264.5
7032AC	160	240	38	2.1	1.1	174.5	225.5	2.1	1.1	178.6	251
7034C	170	260	42	2.1	1.1	188	242	2.1	1.1	205.6	299.3
7034AC	170	260	42	2.1	1.1	188	242	2.1	1.1	194.2	284
7036C	180	280	46	2.1	1.1	201.5	259	2.1	1.1	229.5	352.1
7036AC	180	280	46	2.1	1.1	201.5	259	2.1	1.1	216.8	334.1
7038C	190	290	46	2.1	1.1	211.5	269	2.1	1.1	235.1	370.8
7038AC	190	290	46	2.1	1.1	211.5	269	2.1	1.1	222.1	351.8
7040C	200	310	51	2.1	1.1	220	290	2.1	1.1	289.1	471.4
7040AC	200	310	51	2.1	1.1	220	290	2.1	1.1	273.1	447.3

注: 若需要本尺寸表中未列入的轴承, 请与我们联系。
Note: If the bearings not list here, please contact with us.

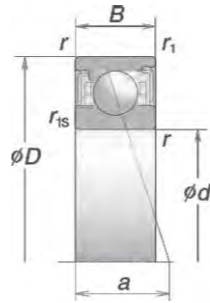


极限转速 Attainalbe Sppeed		预载荷 Preloading Force			轴向刚度 Axial Rigidity			重量 Weight
脂Lub.	油Oil	A(轻)	B(中)	C(重)	A(轻)	B(中)	C(重)	≈
r/min		N			N/μm			Kg
9000	15000	360	1050	2100	89	129	163	1.18
8000	13000	570	1710	3420	239	335	421	1.18
8500	14000	420	1250	2500	94	137	173	1.2
7500	12000	670	2010	4020	253	354	446	1.2
8000	13000	430	1290	2580	98	142	180	1.25
7000	11000	690	2070	4140	263	370	464	1.25
7500	12000	500	1500	3000	103	149	189	1.58
7000	11000	800	2400	4800	276	387	487	1.58
7000	11000	590	1750	3500	112	162	205	1.97
6700	10000	950	2850	5700	299	421	592	1.97
7000	11000	600	1800	3600	116	169	213	2.11
6700	10000	970	2910	5820	312	438	550	2.11
6700	10000	750	2200	4400	129	187	236	3.18
6000	9000	1200	3600	7200	346	485	610	3.18
6000	9000	800	2400	4800	134	194	264	3.37
5600	8500	1300	3900	7800	350	505	625	3.37
5600	8500	900	2700	5400	143	207	262	4.1
5000	7500	1400	4200	8400	384	539	677	4.1
5000	7500	1000	3000	6000	151	220	278	5.07
4800	7000	1600	4800	9600	4077	572	719	5.07
4800	7000	1100	3300	6600	158	230	291	6.9
4300	6300	1750	5200	10000	427	600	754	6.9
4500	6700	1200	3600	7200	172	250	317	9.21
4000	6000	1950	5800	11500	465	653	821	9.21
4300	6300	1300	3800	7600	179	260	328	9.61
3800	5600	2000	6000	12000	483	678	852	9.61
3800	5600	1600	4800	9600	186	270	342	12.1
3600	5300	2500	7500	15000	504	707	889	12.1

高速陶瓷球角接触球轴承
High speed ceramic angular contact ball bearing

H7000C $\alpha=15^\circ$

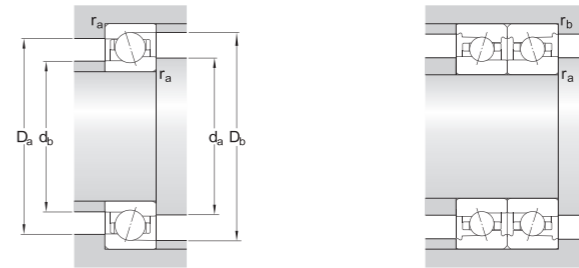
H7000AC $\alpha=25^\circ$



尺寸表 · 单位: mm Dimension Unit:mm

轴承 Bearing	尺寸 Dimension						基本额定载荷 Basic Load		极限转速 Limited speed	重量 Weight
	d	D	B	rsmin	r1smin	a	Cr	C _{0r}	脂 Greas	Mass
	mm	mm	mm	mm	mm	≈	KN	KN	r/min	kg
H7000C-2RZHQ1/P4	10	26	8	0.3	0.15	6	2.2	1.2	90000	0.02
H7000AC-2RZHQ1/P4	10	26	8	0.3	0.15	8	2.1	1.2	75000	0.02
H7001C-2RZHQ1/P4	12	28	8	0.3	0.15	7	2.2	1.3	80000	0.02
H7001AC-2RZHQ1/P4	12	28	8	0.3	0.15	9	2.0	1.2	70000	0.02
H7002C-2RZHQ1/P4	15	32	9	0.3	0.15	8	3.6	2.3	70000	0.03
H7002AC-2RZHQ1/P4	15	32	9	0.3	0.15	10	3.5	2.2	60000	0.03
H7003C-2RZHQ1/P4	17	35	10	0.3	0.15	8	3.8	2.5	63000	0.01
H7003AC-2RZHQ1/P4	17	35	10	0.3	0.15	11	3.6	2.3	53000	0.04
H7004C-2RZHQ1/P4	20	42	12	0.6	0.15	10	6.1	4.3	53000	0.08
H7004AC-2RZHQ1/P4	20	45	12	0.6	0.15	13	5.8	4.1	45000	0.08
H7005C-2RZHQ1/P4	25	47	12	0.6	0.15	11	6.2	4.6	45000	0.09
H7005AC-2RZHQ1/P4	25	47	12	0.6	0.15	14	5.8	4.4	38000	0.09
H7006C-2RZHQ1/P4	30	55	13	1.0	0.3	12	8.6	6.6	38000	0.13
H7006AC-2RZHQ1/P4	30	55	13	1.0	0.3	16	8.1	6.3	32000	0.13
H7007C-2RZHQ1/P4	35	62	14	1.0	0.3	13	9.2	7.8	34000	0.18
H7007AC-2RZHQ1/P4	35	62	14	1.0	0.3	18	8.7	7.4	28000	0.18
H7008C-2RZHQ1/P4	40	68	15	1.0	0.3	15	9.8	8.9	30000	0.2
H7008AC-2RZHQ1/P4	40	68	15	1.0	0.3	20	9.3	8.4	26000	0.2
H7009C-2RZHQ1/P4	45	78	16	1.0	0.3	16	12.5	11.4	26000	0.26
H7009AC-2RZHQ1/P4	45	75	16	1.0	0.3	22	11.8	10.7	24000	0.26
H7010C-2RZHQ1/P4	50	80	16	1.0	0.3	17	12.9	12.4	24000	0.28
H7010AC-2RZHQ1/P4	50	80	16	1.0	0.3	23	12.2	11.7	22000	0.28
H7011C-2RZHQ1/P4	55	90	18	1.1	0.6	26	17.5	16.8	22000	0.41
H7011AC-2RZHQ1/P4	55	90	18	1.1	0.6	26	17.5	16.8	19000	0.41
H7012C-2RZHQ1/P4	60	95	18	1.1	0.6	19	19.3	19.3	20000	0.43

注: 若需要本尺寸表中未列入的轴承, 请与我们联系。
Note: If the bearings not list here, please contact with us.



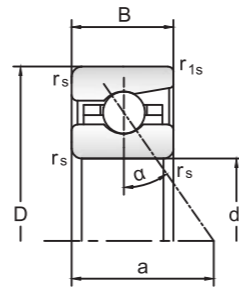
轴承 Bearing	尺寸 Dimension						基本额定载荷 Basic Load		极限转速 Limited speed	重量 Weight
	d	D	B	rsmin	r1smin	a	Cr	C _{0r}	脂 Greas	Mass
	mm	mm	mm	mm	mm	≈	KN	KN	r/min	kg
H7012 AC-2RZHQ1/P4	60	95	18	1.1	0.6	27	18.2	18.2	18000	0.43
H7013 C-2RZHQ1/P4	65	100	18	1.1	0.6	20	19.9	20.8	20000	0.46
H7013 AC-2RZHQ1/P4	65	100	18	1.1	0.6	28	18.8	19.7	17000	0.46
H7014 C-2RZHQ1/P4	70	110	20	1.1	0.6	22	25.9	26.7	18000	0.64
H7014 AC-2RZHQ1/P4	70	110	20	1.1	0.6	31	24.4	25.2	15000	0.64
H7015 C-2RZHQ1/P4	75	115	20	1.1	0.6	23	26.2	27.8	17000	0.67
H7015 AC-2RZHQ1/P4	75	115	20	1.1	0.6	32	24.7	26.3	15000	0.67
H7016 C-2RZHQ1/P4	80	125	22	1.1	0.6	25	31.2	33.5	16000	0.9
H7016 AC-2RZHQ1/P4	80	125	22	1.1	0.6	35	29.5	31.7	13000	0.9
H7017C-2RZHQ1/P4	85	130	22	1.1	0.6	25	61.6	34.9	15000	0.94
H7017AC-2RZHQ1/P4	85	130	22	1.1	0.6	36	29.9	32.9	13000	0.94
H7018C-2RZHQ1/P4	90	140	24	1.5	0.6	27	37.1	41.4	14000	1.24
H7018AC-2RZHQ1/P4	90	140	24	1.5	0.6	39	35.1	39.1	12000	1.24
H7019C-2RZHQ1/P4	95	145	24	1.5	0.6	28	37.6	43.0	13000	1.26
H7019AC-2RZHQ1/P4	95	145	24	1.5	0.6	40	35.5	40.6	11000	1.26
H7020C-2RZHQ1/P4	100	150	24	1.5	0.6	29	38.1	44.6	12000	1.34
H7020AC-2RZHQ1/P4	100	150	24	1.5	0.6	41	36.0	42.1	11000	1.34
H7021 C-2RZHQ1/P4	105	160	26	2.0	1.0	31	49.1	56.3	12000	1.66
H7021 AC-2RZHQ1/P4	105	160	26	2.0	1.0	44	46.4	53.2	10000	1.66
H7022C-2RZHQ1/P4	110	170	28	2.0	1.0	33	49.7	58.5	11000	2.16
H7022AC-2RZHQ1/P4	110	170	28	2.0	1.0	47	46.9	55.3	9000	2.16
H7024 C-2RZHQ1/P4	120	180	28	2.0	1.0	34	51.0	62.8	10000	2.21
H7024 AC-2RZHQ1/P4	120	180	28	2.0	1.0	49	48.2	58.5	8500	2.21
H7026 C-2RZHQ1/P4	130	200	33	2.0	1.0	39	65.4	81.5	9000	3.52
H7026 AC-2RZHQ1/P4	130	200	33	2.0	1.0	55	61.0	77.0	7500	3.52

注: 若需要本尺寸表中未列入的轴承, 请与我们联系。
Note: If the bearings not list here, please contact with us.

高速精密角接触球轴承
Precision Angular Contact Ball Bearings

7200C Series $\alpha=15^\circ$

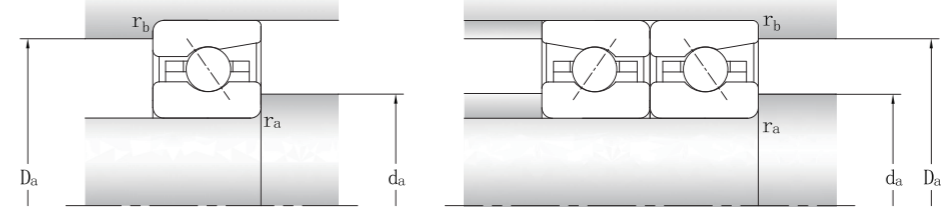
7200AC Series $\alpha=25^\circ$



尺寸表 · 单位: mm Dimenisons Unit:mm

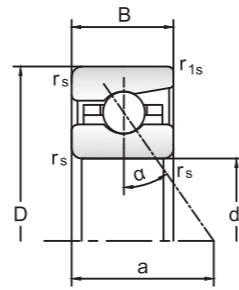
轴承 Bearings code	尺寸 Demension					安装尺寸 Abutment Dimensions				额定载荷 Loading ratings	
	d	D	B	r _{amin}	r _{1min}	d _a	D _a /D _b	r _a	r _b	C _r	C _{or}
	mm					min	max	max	max	kN	
7204C	20	47	14	1.0	0.3	26.5	40.5	1.0	0.3	13.1	9.6
7204AC	20	47	14	1.0	0.3	26.5	40.5	1.0	0.3	12.6	9.2
7205C	25	52	15	1.0	0.3	30.5	46.5	1.0	0.3	16.8	13.1
7205AC	25	52	15	1.0	0.3	30.5	46.5	1.0	0.3	16.1	12.5
7206C	30	62	16	1.0	0.3	36.5	55.5	1.0	0.3	23.4	18.8
7206AC	30	62	16	1.0	0.3	36.5	55.5	1.0	0.3	22.3	18
7207C	35	72	17	1.1	0.6	44	63	1.1	0.6	25.8	22.9
7207AC	35	72	17	1.1	0.6	44	63	1.1	0.6	24.5	21.9
7208C	40	80	18	1.1	0.6	49	71	1.1	0.6	34.1	30.9
7208AC	40	80	18	1.1	0.6	49	71	1.1	0.6	32.5	29.5
7209C	45	85	19	1.1	0.6	54	76	1.1	0.6	35.5	33.8
7209AC	45	85	19	1.1	0.6	54	76	1.1	0.6	33.8	32.3
7210C	50	90	20	1.1	0.6	57.5	83	1.1	0.6	43.3	40.6
7210AC	50	90	20	1.1	0.6	57.5	83	1.1	0.6	41.3	38.7
7211C	55	100	21	1.5	0.6	63	92	1.5	0.6	53.6	51.1
7211AC	55	100	21	1.5	0.6	63	92	1.5	0.6	51.1	48.8
7212C	60	110	22	1.5	0.6	71.5	100.5	1.5	0.6	55.8	56.2
7212AC	60	110	22	1.5	0.6	71.5	100.5	1.5	0.6	53	53.5
7213C	65	120	23	1.5	0.6	76.5	108.5	1.5	0.6	67.5	69
7213AC	65	120	23	1.5	0.6	76.5	108.5	1.5	0.6	64.2	65.8
7214C	70	125	24	1.5	0.6	81.5	113.5	1.5	0.6	70.2	74.6
7214AC	70	125	24	1.5	0.6	81.5	113.5	1.5	0.6	66.6	71.1

注: 若需要本尺寸表中未列入的轴承, 请与我们联系。
Note: If the bearings not list here, please contact with us.



极限转速 Attainalbe Sppeed		预载荷 Preloading Force			轴向刚度 Axial Rigidity			重量 Weight
脂 Lub.	油 Oil	A(轻)	B(中)	C(重)	A(轻)	B(中)	C(重)	≈
r/min		N			N/μm			Kg
34000	50000	70	210	420	27	39	49	0.11
30000	45000	115	340	680	72	100	126	0.11
30000	45000	90	270	540	32	46	58	0.14
26000	40000	150	450	900	85	119	150	0.14
24000	38000	120	360	720	38	55	69	0.21
20000	34000	200	600	1200	101	141	178	0.21
18000	30000	135	400	800	44	63	79	0.31
17000	28000	220	660	1320	116	162	204	0.31
17000	28000	180	540	1080	50	72	92	0.4
15000	24000	295	880	1760	134	187	235	0.4
16000	26000	187	560	1120	53	77	97	0.45
14000	22000	300	900	1800	142	199	250	0.45
15000	24000	225	670	1340	57	82	104	0.49
14000	22000	365	1090	2180	151	212	267	0.49
14000	22000	290	870	1740	63	91	116	0.65
13000	20000	460	1380	2760	169	236	297	0.65
12000	19000	305	910	1820	67	97	123	0.86
11000	18000	480	1440	2880	179	251	316	0.86
11000	18000	355	1060	2120	74	107	136	1.08
9500	16000	570	1710	3420	198	277	348	1.08
10000	17000	370	1110	2220	78	113	143	1.19
9000	15000	590	1770	3540	209	293	368	1.19

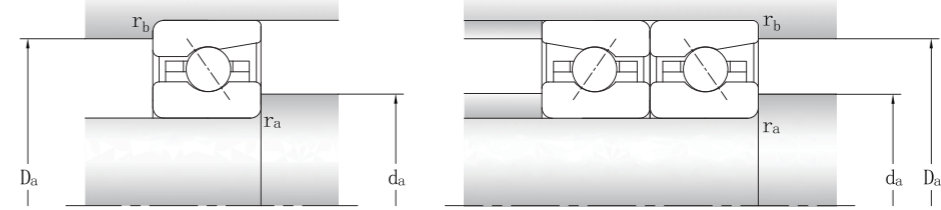
高速精密角接触球轴承
Precision Angular Contact Ball Bearings
7200C Series $\alpha=15^\circ$
7200AC Series $\alpha=25^\circ$



尺寸表 · 单位: mm Dimenisons Unit:mm

轴承 Bearings code	尺寸 Demension					安装尺寸 Abutment Dimensions				额定载荷 Loading ratings	
	d	D	B	r _{amin}	r _{1min}	d _a	D _a /D _b	r _a	r _b	C _r	Cor
	mm					min	max	max	max	kN	
7215C	75	130	25	1.5	0.6	86.5	118.5	1.5	0.6	72.7	80.2
7215AC	75	130	25	1.5	0.6	86.5	118.5	1.5	0.6	68.9	76.3
7216C	80	140	26	2.0	1.0	92.5	128	2.0	1.0	86.5	96.5
7216AC	80	140	26	2.0	1.0	92.5	128	2.0	1.0	82.1	91.9
7217C	85	150	28	2.0	1.0	98.5	137	2.0	1.0	97.4	107.5
7217AC	85	150	28	2.0	1.0	98.5	137	2.0	1.0	92.5	102.4
7218C	90	160	30	2.0	1.0	103	147	2.0	1.0	121.9	131.3
7218AC	90	160	30	2.0	1.0	103	147	2.0	1.0	115.8	124.6
7219C	95	170	32	2.1	1.1	112	153	2.1	1.1	128.9	145.1
7219AC	95	170	32	2.1	1.1	112	153	2.1	1.1	122.5	138.3
7220C	100	180	34	2.1	1.1	116	164	2.1	1.1	146.2	165.9
7220AC	100	180	34	2.1	1.1	116	164	2.1	1.1	138.9	158.2
7221C	105	190	36	2.1	1.1	122	173	2.1	1.1	164.3	188.2
7221AC	105	190	36	2.1	1.1	122	173	2.1	1.1	156.3	179.5
7222C	110	200	38	2.1	1.1	130	181	2.1	1.1	170.4	202.5
7222AC	110	200	38	2.1	1.1	130	181	2.1	1.1	161.8	193
7224C	120	215	40	2.1	1.1	143	192	2.1	1.1	175.4	218.4
7224AC	120	215	40	2.1	1.1	143	192	2.1	1.1	166.3	207.9
7226C	130	230	40	3.0	1.1	151.5	209	3.0	1.1	200.6	258.3
7226AC	130	230	40	3.0	1.1	151.5	209	3.0	1.1	190.4	246.2
7228C	140	250	42	3.0	1.1	165	225.5	3.0	1.1	223.6	306.6
7228AC	140	250	42	3.0	1.1	165	225.5	3.0	1.1	212.3	292.2

注: 若需要本尺寸表中未列入的轴承, 请与我们联系。
Note: If the bearings not list here, please contact with us.

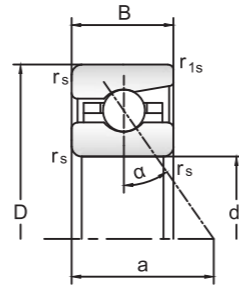


极限转速 Attainalbe Spned		预载荷 Preloading Force			轴向刚度 Axial Rigidity			重量 Weight
脂 Lub.	油 Oil	A(轻)	B(中)	C(重)	A(轻)	B(中)	C(重)	≈
r/min		N			N/μm			Kg
9500	16000	385	1150	2300	82	119	151	1.29
8500	14000	615	1840	3680	220	309	388	1.29
9000	15000	460	1380	2760	90	130	165	1.58
8000	13000	750	2250	4500	240	338	424	1.58
8500	14000	515	1540	3080	93	134	169	1.96
7500	12000	825	2470	4940	247	347	436	1.96
8000	13000	655	1960	3920	110	160	202	2.44
7000	11000	1050	3150	6300	276	394	496	4.44
7500	11000	1050	3150	6300	276	394	496	2.93
6700	10000	1050	3150	6300	286	410	517	2.93
7000	11000	770	2310	4620	114	165	208	3.51
6700	10000	1240	3720	7440	305	427	537	3.51
7000	11000	890	2670	5340	121	175	221	4.17
6300	9500	1430	4290	8580	323	454	570	4.17
6700	10000	920	2760	5520	127	184	233	4.95
6000	9000	1480	4440	8880	341	478	601	4.95
6000	9000	950	2850	5700	133	193	245	6.01
5300	8000	1500	4500	9000	358	502	631	6.01
5600	8500	1050	3100	6200	139	202	255	6.41
5000	7500	1600	4800	9600	373	525	659	6.41
5000	7500	1200	3600	7200	152	221	279	8.17
4500	6700	1900	5700	11400	410	575	723	8.17

高速精密角接触球轴承
Precision Angular Contact Ball Bearings

7200C Series $\alpha=15^\circ$

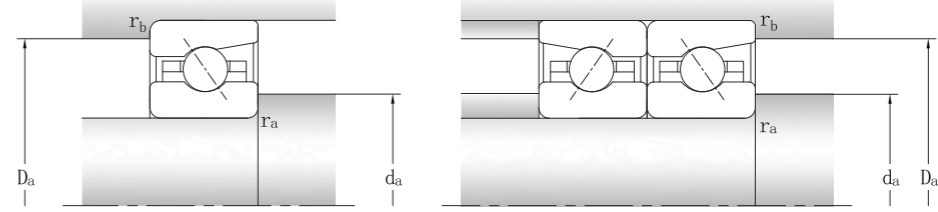
7200AC Series $\alpha=25^\circ$



尺寸表 · 单位: mm Dimenisons Unit:mm

轴承 Bearings code	尺寸 Demension					安装尺寸 Abutment Dimensions				额定载荷 Loading ratings	
	d	D	B	r _{amin}	r _{1min}	d _a	D _a /D _b	r _a	r _b	C _r	C _{or}
	mm					min	max	max	max	kN	
7230C	150	270	45	3.0	1.1	178.5	242.0	3.0	1.1	240.9	341.5
7230AC	150	270	45	3.0	1.1	178.5	242.0	3.0	1.1	228.7	325.5
7232C	160	290	48	3.0	1.1	193.5	257.0	3.0	1.1	248.6	365.8
7232AC	160	290	48	3.0	1.1	193.5	257.0	3.0	1.1	236.1	348.6
7234C	170	310	52	4.0	1.5	202	278.5	4.0	1.5	300.2	459.2
7234AC	170	310	52	4.0	1.5	202	278.5	4.0	1.5	285	437.6
7236C	180	320	52	4.0	1.5	212	288.5	4.0	1.5	311.2	490.8
7236AC	180	320	52	4.0	1.5	212	288.5	4.0	1.5	295.5	467.7
7238C	190	340	55	4.0	1.5	227	303.5	4.0	1.5	321.3	524.8
7238AC	190	340	55	4.0	1.5	227	303.5	4.0	1.5	305.1	500.1
7240C	200	360	58	4.0	1.5	242	318.5	4.0	1.5	330.9	558.6
7240AC	200	360	58	4.0	1.5	242	318.5	4.0	1.5	314.2	532.3

注: 若需要本尺寸表中未列入的轴承, 请与我们联系。
Note: If the bearings not list here, please contact with us.



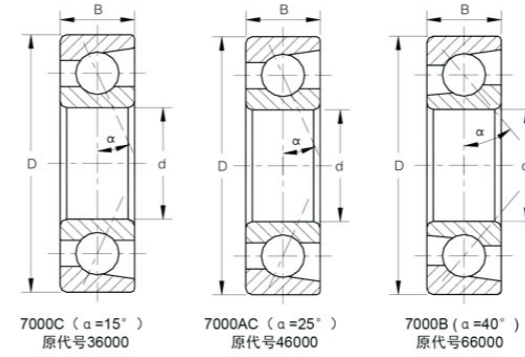
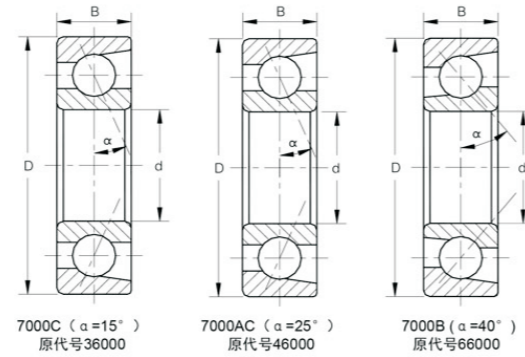
极限转速 Attainalbe Sppeed		预载荷 Preloading Force			轴向刚度 Axial Rigidity			重量 Weight
脂Lub.	油Oil	A(轻)	B(中)	C(重)	A(轻)	B(中)	C(重)	≈
r/min		N			N/μm			Kg
4500	6700	1280	3800	7600	158	229	290	10.38
4000	6000	2050	6100	12200	426	599	753	10.38
4300	6300	1330	4000	8000	165	240	303	13.1
3800	5600	2100	6300	12600	446	627	788	13.1
3800	5600	1600	4800	9600	173	251	318	15.93
3600	5300	2500	7500	15000	468	658	827	15.93
3800	5600	1660	4900	9800	181	264	334	16.61
3400	5000	2650	7900	15800	492	691	869	16.61
3400	5000	1700	5100	10200	190	276	349	20.29
3200	4800	2700	8100	16200	515	724	910	20.29
3200	4800	1760	5300	10600	198	288	365	24.49
3000	4500	2800	8400	16800	538	756	951	24.49

精密角接触球轴承
Precision Angular Contact Ball Bearings

7300C Series $\alpha=15^\circ$

7300AC Series $\alpha=25^\circ$

尺寸表 · 单位: mm Dimenisons Unit:mm



型号 Designation	基本(mm) Principal Dimensions			额定负荷(KN) Basic Load Ratings		极限转速(rpm) Limited Speed		重量(kg) Weight
				动负荷Cr Dynamic	静负荷Cor Static	脂润滑 Grease	油润滑 Oil	≈
	d	D	B	Dynamic	Static	Grease	Oil	≈
7300C	10	35	11	9.8	4.6	19000	26000	0.053
7301AC	12	37	12	11.5	5.4	17000	24000	0.06
7301B	12	37	12	10.5	4.9	17000	22000	0.06
7301C	12	37	12	11.8	5.6	18000	24000	0.06
7302AC	15	42	13	12.5	6.2	15000	21000	0.084
7302B	15	42	13	12.4	6.5	15000	19000	0.08
7302C	15	42	13	13.2	6.7	16000	21000	0.084
7303AC	17	47	14	15	7.7	13000	19000	0.11
7303B	17	47	14	14.1	8.1	13000	17000	0.11
7303C	17	47	14	15.7	8.2	13000	19000	0.11
7304AC	20	52	15	17.9	9.6	12000	17000	0.15
7304B	20	52	15	17.3	9.6	11000	15000	0.14
7304C	20	52	15	18.4	9.8	12000	17000	0.15
7305AC	25	62	17	27	15.6	9500	14000	0.23
7305B	25	62	17	24.3	14.1	9000	13000	0.23
7305C	25	62	17	27.8	15.9	9500	14000	0.23
7306AC	30	72	19	32.8	20.4	8500	12000	0.35
7306B	30	72	19	29.3	18.1	8000	11000	0.34
7306C	30	72	19	33.2	21.2	8500	12000	0.35
7307AC	35	80	21	38.2	24.9	7500	10000	0.47
7307B	35	80	21	38.3	24.4	7000	9500	0.45
7307C	35	80	21	40.3	25.8	7500	10000	0.47
7308AC	40	90	23	47	31.1	6700	9000	0.66
7308B	40	90	23	46.5	29.5	6300	8500	0.63
7308C	40	90	23	49.3	32.3	6700	9000	0.66
7309AC	45	100	25	61.6	41.2	6000	8000	0.86
7309B	45	100	25	59.6	39.6	5600	7500	0.85
7309C	45	100	25	63.1	42.9	6000	8000	0.86
7310AC	50	110	27	71.9	48.5	5600	7500	1.08
7310B	50	110	27	68.1	48	5000	6700	1.1
7310C	50	110	27	74.9	50.9	5600	7500	1.08
7311AC	55	120	29	83.4	58	5000	3700	1.42
7311B	55	120	29	82.2	56.2	4500	6300	1.4
7311C	55	120	29	86.4	59.5	5000	6700	1.42
7312AC	60	130	31	95.2	67.2	4800	6300	1.71

注: 若需要本尺寸表中未列入的轴承, 请与我们联系。
Note: If the bearings not list here, please contact with us.

型号 Designation	基本(mm) Principal Dimensions			额定负荷(KN) Basic Load Ratings		极限转速(rpm) Limited Speed		重量(kg) Weight
				动负荷Cr Dynamic	静负荷Cor Static	脂润滑 Grease	油润滑 Oil	≈
	d	D	B	Dynamic	Static	Grease	Oil	≈
7312B	60	130	31	91.5	65.4	4300	5600	1.75
7312C	60	130	31	98.6	68.5	4800	6300	1.71
7313AC	65	140	33	109.3	78.3	4300	5600	2.23
7313B	65	140	33	102.3	75.3	3800	5300	2.15
7313C	65	140	33	113.1	79.6	4300	5600	2.23
7314AC	70	150	35	118.8	88.2	4000	5300	2.67
7314B	70	150	35	114.6	85.9	3600	5000	2.65
7314C	70	150	35	126	91.6	4000	5300	2.67
7315AC	75	160	37	134.4	99.8	3800	5000	3.1
7315B	75	160	37	127.7	95.4	3400	4800	3.2
7315C	75	160	37	140.7	103.9	3800	5000	3.1
7316AC	80	170	39	149.5	107.7	3600	4800	3.6
7316B	80	170	39	141.4	107.9	3200	4800	3.8
7316C	80	170	39	156.1	112.2	3600	4800	3.6
7317AC	85	180	41	154.3	122.3	3400	4500	4.38
7317B	85	180	41	155.8	120.9	3000	4000	4.45
7317C	85	180	41	160.7	130.5	3400	4500	4.38
7318AC	90	190	43	177.6	153.5	3200	4300	5.6
7318B	90	190	43	157.9	136.9	3000	4000	5.3
7318C	90	190	43	184.9	159.9	3200	4300	5.6
7319AC	95	200	45	193.3	172.6	3200	4200	6.6
7319B	95	200	45	172	154.1	2800	4000	6.4
7319C	95	200	45	201.1	179.8	3200	4200	6.6
7320AC	100	215	47	213.5	198.6	3000	4000	7.58
7320B	100	215	47	190	177.3	2600	3800	7.29
7320C	100	215	47	222.1	206.7	3000	4000	7.58
7321AC	105	225	49	226.7	216.6	2800	3800	8.85
7321B	105	225	49	201.7	193.3	2400	3600	8.55
7321C	105	225	49	235.8	225.6	2800	3800	8.85
7322AC	110	240	50	253.2	252.4	2600	3600	10.5
7322B	110	240	50	225.8	225.3	2200	3400	9.84
7322C	110	240	50	263.2	261.9	2600	3600	10.5

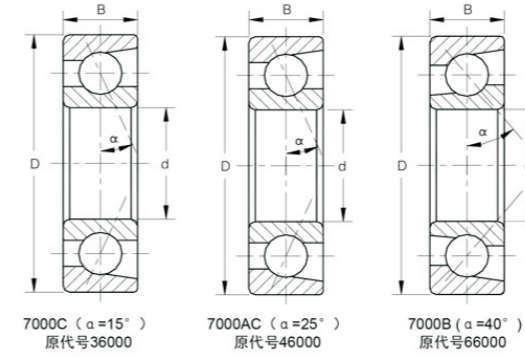
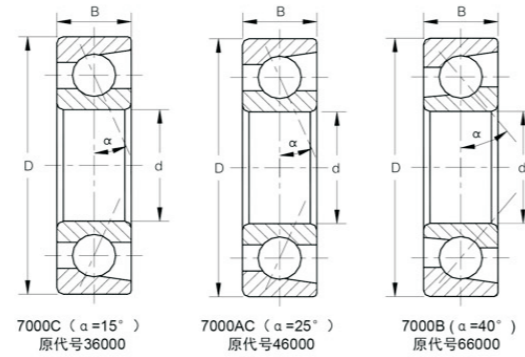
注: 若需要本尺寸表中未列入的轴承, 请与我们联系。
Note: If the bearings not list here, please contact with us.

精密角接触球轴承
Precision Angular Contact Ball Bearings

7300C Series $\alpha=15^\circ$

7300AC Series $\alpha=25^\circ$

尺寸表 · 单位: mm Dimenisons Unit:mm



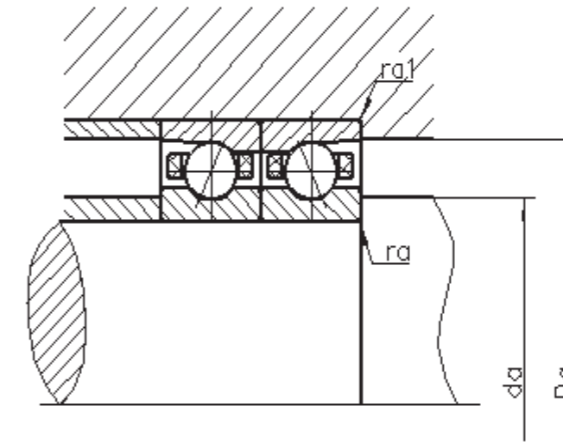
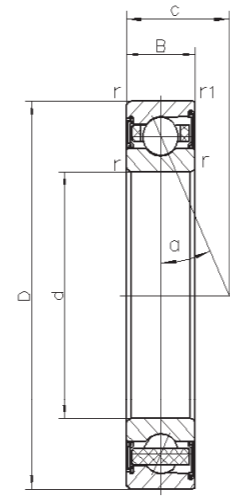
型号 Designation	基本(mm) Principal Dimensions			额定负荷(KN) Basic Load Ratings		极限转速(rpm) Limited Speed		重量(kg) Weight
				动负荷Cr Dynamic	静负荷Cor Static	脂润滑 Grease	油润滑 Oil	≈
	d	D	B					
7324AC	120	260	55	265.4	269.5	2200	3200	14.2
7324B	120	260	55	250.4	262	1900	2800	14.5
7324C	120	260	55	275.9	280.4	2200	3200	14.2
7326AC	130	280	58	309.8	337.7	1800	2500	17.4
7326B	130	280	58	302.5	336.9	1700	2300	17.5
7326C	130	280	58	322.1	351.5	1800	2500	17.4
7328AC	140	300	62	339.1	385.1	1700	2300	21.2
7328B	140	300	62	329.1	381.4	1600	2200	21
7328C	140	300	62	352.9	401.1	1700	2300	21.2
7330AC	150	320	65	369	435.5	1600	2250	26
7330B	150	320	65	356.5	428.6	1400	1900	25.1
7330C	150	320	65	384.1	453.6	1600	2250	26
7332AC	160	340	68	370	446.3	1500	2000	26
7332B	160	340	68	384.4	478.5	1200	1600	25.4
7332C	160	340	68	386.1	464.1	1500	2000	26

注: 若需要本尺寸表中未列入的轴承, 请与我们联系。
Note: If the bearings not list here, please contact with us.

型号 Designation	基本(mm) Principal Dimensions			额定负荷(KN) Basic Load Ratings		极限转速(rpm) Limited Speed		重量(kg) Weight
				动负荷Cr Dynamic	静负荷Cor Static	脂润滑 Grease	油润滑 Oil	≈
	d	D	B					
7406AC	30	90	23	55.6	32.7	6500	85000	0.96
7406C	30	90	23	57.5	33.8	6500	85000	0.96
7407AC	35	100	25	66.4	41.9	5500	8000	1.14
7407C	35	100	25	66.8	41.2	5500	8000	1.14
7408AC	40	110	27	73.7	42.1	5200	7000	1.4
7408C	40	110	27	80.2	53.3	5200	7000	1.4
7409AC	45	120	29	84.5	55.1	5000	6500	1.8
7409C	45	120	29	93.1	60.8	5000	6500	1.8
7410AC	50	130	31	115.8	78.3	4500	6000	2.25
7410C	50	130	31	119.3	81	4500	6000	2.25
7411AC	55	140	33	121.4	84.5	4200	5600	2.75
7411C	55	140	33	125.3	87	4200	5600	2.75
7412AC	60	150	35	131.8	95.3	3800	5200	3.4
7412C	60	150	35	136.3	98.2	3800	5200	3.4
7413AC	65	160	37	142.5	106.7	3400	4800	4.2
7413C	65	160	37	147.4	110.2	3400	4800	4.2
7414AC	70	180	42	154.6	122	3200	4500	5.8
7414C	70	180	42	160.4	126.6	3200	4500	5.8
7415AC	75	190	45	165.2	133.5	3000	4200	7
7415C	75	190	45	171.4	138.9	3000	4200	7
7416AC	80	200	48	176.5	147.2	2800	4000	7.4
7416C	80	200	48	183.2	152.9	2800	4000	7.4
7417AC	85	210	52	188	161.5	2600	3700	9.6
7417C	85	210	52	195.1	167.6	2600	3700	9.6
7418AC	90	225	54	200.3	178.1	2400	3400	11.2
7418C	90	225	54	208	184.2	2400	3400	11.2

注: 若需要本尺寸表中未列入的轴承, 请与我们联系。
Note: If the bearings not list here, please contact with us.

密封接触角球轴承
Angular contact ball bearing with sealing



尺寸表 · 单位: mm Dimension Unit:mm

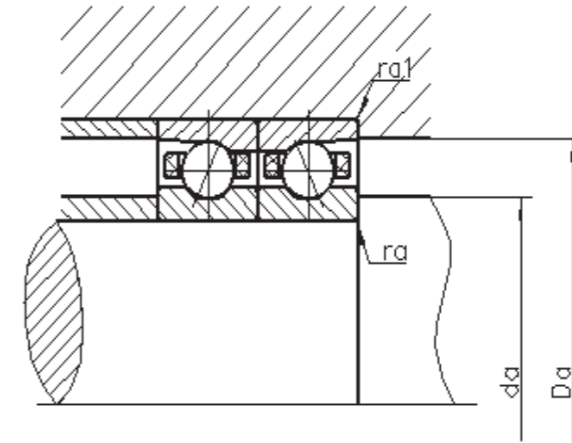
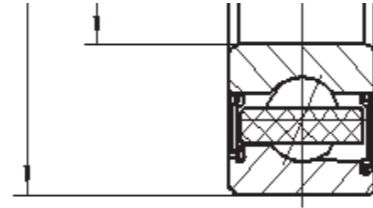
型号 Description	外型尺寸 Dimension			$\alpha = 15^\circ$			
				极限转速 Limited Speed			
	内径ID	外径OD	高度 B	额定载额		脂	油
Cr				Cor	Grease	Oil	
H7000C-2RZ/P4	10	26	8	3.4	1.5	79000	129000
H7001C-2RZ/P4	12	28	8	3.8	1.7	69000	109000
H7002C-2RZ/P4	15	32	9	4.4	2.2	66000	99000
H7003C-2RZ/P4	17	35	10	5.2	2.5	55000	84000
H7004C-2RZ/P4	20	42	12	7.4	3.9	49000	74000
H7005C-2RZ/P4	25	47	12	8.4	4.8	42000	62000
H7006C-2RZ/P4	30	55	13	9.5	6.2	37000	55000
H7007C-2RZ/P4	35	62	14	11.2	7.9	37000	55000
H7008C-2RZ/P4	40	68	15	19.9	19.1	18000	31000
H7009C-2RZ/P4	45	75	16	26.7	25.3	16000	27000
H7010C-2RZ/P4	50	80	16	27.6	27.5	15000	25000
H7011C-2RZ/P4	55	90	18	36.7	37.1	13000	21000
H7012C-2RZ/P4	60	95	18	37.8	40.0	13000	21000
H7013C-2RZ/P4	65	100	18	38.9	42.9	12000	19000
H7014C-2RZ/P4	70	110	20	49.9	55.5	11000	18000
H7015C-2RZ/P4	75	115	20	51.3	59.2	10000	17000
H7016C-2RZ/P4	80	125	22	61.6	70.4	9000	16000
H7017C-2RZ/P4	85	130	22	63.6	75.0	8500	15000
H7018C-2RZ/P4	90	140	24	66.9	84.0	8000	14000
H7019C-2RZ/P4	95	145	24	79.1	97.6	7500	13000
H7020C-2RZ/P4	100	150	24	81.2	103.3	7000	12000
H7021C-2RZ/P4	105	160	26	93.9	118.2	6500	11000
H7022C-2RZ/P4	110	170	28	110.0	139.8	6000	10000
H7024C-2RZ/P4	120	180	28	112.0	148.7	6000	10000
H7026C-2RZ/P4	130	200	33	144.0	190.8	5700	9000
H7028C-2RZ/P4	140	210	33	148.0	202.6	5000	8000
H7030C-2RZ/P4	150	225	35	168.0	232.5	4600	7500
H7032C-2RZ/P4	160	240	38	189.0	264.5	4000	6500
H7034C-2RZ/P4	170	260	42	205.0	299.3	3800	6000
H7036C-2RZ/P4	180	280	46	229.0	352.1	3500	5700

注: 若需要本尺寸表中未列入的轴承, 请与我们联系。
Note: If the bearings not list here, please contact with us.

$\alpha = 25^\circ$				保持架材质 CAGE
极限转速 Limited Speed				
油额定载额		脂	油	
Cr	Cor	Grease	Oil	
3.3	1.4	66000	109000	胶木
3.6	1.6	59000	89000	胶木
4.2	2.1	55000	84000	胶木
5.0	2.4	49000	74000	胶木
7.0	3.8	42000	62000	胶木
8.0	4.6	35000	52000	胶木
9.0	5.9	33000	49000	胶木
10.7	7.5	33000	49000	胶木
18.9	18.2	16000	27000	胶木
25.4	24.1	15000	25000	胶木
26.2	26.2	14000	23000	胶木
34.8	35.3	12000	19000	胶木
35.8	38.0	11000	18000	胶木
36.8	40.7	10000	17000	胶木
47.2	52.7	9000	16000	胶木
48.5	56.2	8500	15000	胶木
58.3	66.9	8000	14000	胶木
59.9	71.3	7500	13000	胶木
63.2	79.7	7000	12000	胶木
74.8	92.7	6500	11000	胶木
76.7	9.8	6000	10000	胶木
88.8	112.2	6000	10000	胶木
104.4	132.8	5700	9000	胶木
106.3	141.1	5700	9000	胶木
136.8	181.0	5000	8000	胶木
140.4	192.2	4600	7500	胶木
159.1	220.6	4000	6500	胶木
178.6	251.0	3800	6000	胶木
194.2	284.0	3300	5300	胶木
216.8	334.1	3000	5000	胶木

注: 若需要本尺寸表中未列入的轴承, 请与我们联系。
Note: If the bearings not list here, please contact with us.

密封接触角球轴承
Sealed angular contact ball bearing



尺寸表 · 单位: mm Dimenisons Unit:mm

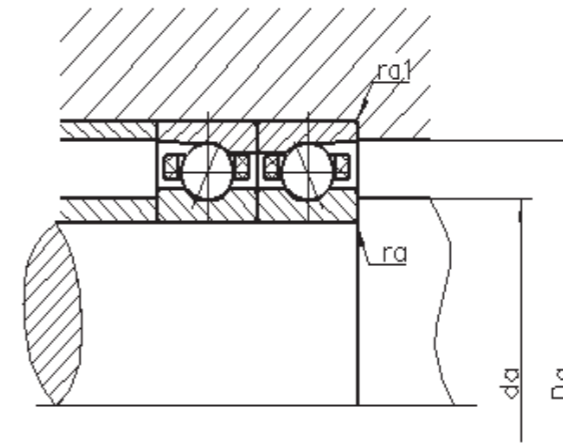
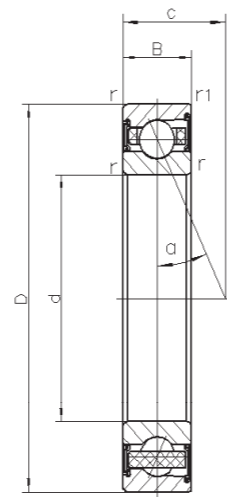
型号 Description	外型尺寸 Dimension			$\alpha=15^\circ$				保持架材质 CAGE
				极限转速 Limited Speed				
	内径ID	外径OD	高度 B	额定载额		脂	油	
Cr				Cor	Grease	Oil		
H71900C-2RZ/P4	10	22	6	2.9	1.8	69000	109000	胶木
H71901C-2RZ/P4	12	24	6	3.2	2.2	62000	94000	胶木
H71902C-2RZ/P4	15	28	7	4.8	3.4	52000	79000	胶木
H71903C-2RZ/P4	17	30	7	5.1	3.8	49000	74000	胶木
H71904C-2RZ/P4	20	37	9	7.4	5.8	39000	59000	胶木
H71905C-2RZ/P4	25	42	9	7.6	6.5	33000	49000	胶木
H71906C-2RZ/P4	30	47	9	8.0	7.6	29000	44000	胶木
H71907C-2RZ/P4	35	55	10	11.0	10.9	25000	39000	胶木
H71908C-2RZ/P4	40	62	12	14.0	14.2	19000	33000	胶木
H71909C-2RZ/P4	45	68	12	14.7	16.1	17000	29000	胶木
H71910C-2RZ/P4	50	72	12	19.0	21.2	16000	27000	胶木
H71911C-2RZ/P4	55	80	13	23.7	27.4	14000	23000	胶木
H71912C-2RZ/P4	60	85	13	24.8	30.3	13000	21000	胶木
H71913C-2RZ/P4	65	90	13	25.1	31.9	12000	19000	胶木
H71914C-2RZ/P4	70	100	16	34.5	43.3	11000	18000	胶木
H71915C-2RZ/P4	75	105	16	25.0	45.6	10000	17000	胶木
H71916C-2RZ/P4	80	110	16	35.5	47.8	9000	16000	胶木
H71917C-2RZ/P4	85	120	18	46.5	61.9	8500	15000	胶木
H71918C-2RZ/P4	90	115	18	47.2	64.8	8000	15000	胶木
H71919C-2RZ/P4	95	130	18	47.9	67.8	8000	14000	胶木
H71920C-2RZ/P4	100	140	20	60.4	84.4	7500	13000	胶木
H71921C-2RZ/P4	105	145	20	61.4	88.2	7000	12000	胶木
H71922C-2RZ/P4	110	150	20	62.3	91.9	6500	11000	胶木
H71924C-2RZ/P4	120	165	22	73.7	107.6	6000	10000	胶木
H71926C-2RZ/P4	130	180	24	76.3	117.1	5700	9000	胶木
H71928C-2RZ/P4	140	190	24	78.9	126.4	5000	8000	胶木
H71930C-2RZ/P4	150	210	28	118.2	175.1	4600	7500	胶木
H71932C-2RZ/P4	160	220	28	23.3	191.2	4000	6500	胶木
H71934C-2RZ/P4	170	230	28	125.7	200.0	3800	6000	胶木
H71936C-2RZ/P4	180	250	33	159.7	249.1	3500	5700	胶木
H71938C-2RZ/P4	190	260	33	162.8	260.8	3300	5300	胶木

注: 若需要本尺寸表中未列入的轴承, 请与我们联系。
Note: If the bearings not list here, please contact with us.

Description	$\alpha=25^\circ$			保持架材质 CAGE
	极限转速 Limited Speed			
	油额定载额		脂	
Cr	Cor	Grease	Oil	
2.7	1.7	66000	90000	胶木
3.1	2.1	55000	84000	胶木
4.6	3.2	49000	74000	胶木
4.8	3.6	44000	66000	胶木
7.0	5.6	37000	55000	胶木
7.2	6.2	29000	44000	胶木
7.6	7.2	25000	39000	胶木
10.4	10.3	19000	33000	胶木
13.3	13.5	17000	29000	胶木
13.9	15.2	16000	27000	胶木
17.9	20.1	14000	23000	胶木
22.4	26	13000	21000	胶木
23.3	28.7	12000	19000	胶木
23.6	30.2	11000	18000	胶木
32.6	41.2	10000	17000	胶木
33	43.2	8500	15000	胶木
33.5	45.3	8000	14000	胶木
43.8	58.6	7500	13000	胶木
20.4	31.6	7500	13000	胶木
45.2	64.1	7000	12000	胶木
56.9	79.9	7000	12000	胶木
57.8	83.5	6500	11000	胶木
58.7	87	6000	10000	胶木
69.5	101.9	5700	9000	胶木
71.9	110.9	5000	8000	胶木
74.4	119.7	4600	7500	胶木
111.4	165.8	4000	6500	胶木
116.5	181.1	3800	6000	胶木
118.5	189.4	3300	5300	胶木
150.6	235.9	3000	5000	胶木
153.5	247.0	2800	4600	胶木

注: 若需要本尺寸表中未列入的轴承, 请与我们联系。
Note: If the bearings not list here, please contact with us.

密封接触角球轴承
Sealed angular contact ball bearing



尺寸表 · 单位: mm Dimenisons Unit:mm

型号 Description	外型尺寸 Dimension			α = 15°				保持架材质 CAGE
				极限转速 Limited Speed				
	内径ID	外径OD	高度 B	额定载额		脂	油	
Cr				Cor	Grease	Oil		
H71800C-2RZ/P4	10	19	5	1.8	1.1	74000	119000	胶木
H71801C-2RZ/P4	12	21	5	2.0	1.4	69000	109000	胶木
H71802C-2RZ/P4	15	24	5	2.2	1.8	59000	89000	胶木
H71803C-2RZ/P4	17	25	5	2.3	1.9	52000	79000	胶木
H71804C-2RZ/P4	20	32	7	3.9	3.4	44000	66000	胶木
H71805C-2RZ/P4	25	37	7	4.2	4.1	37000	55000	胶木
H71806C-2RZ/P4	30	42	7	4.4	4.8	31000	47000	胶木
H71807C-2RZ/P4	35	47	7	4.6	5.5	25000	39000	胶木
H71808C-2RZ/P4	40	52	7	4.8	6.2	23000	37000	胶木
H71809C-2RZ/P4	45	58	7	4.9	6.7	19000	33000	胶木
H71810C-2RZ/P4	50	65	7	7.4	10.0	17000	29000	胶木
H71811C-2RZ/P4	55	72	9	10.2	13.8	15000	25000	胶木
H71812C-2RZ/P4	60	78	10	13.4	18.0	14000	23000	胶木
H71813C-2RZ/P4	65	85	10	13.4	18.8	13000	21000	胶木
H71814C-2RZ/P4	70	90	10	13.8	20.3	12000	19000	胶木
H71815C-2RZ/P4	75	95	10	14.2	21.7	11000	18000	胶木
H71816C-2RZ/P4	80	100	10	14.5	23.1	10000	17000	胶木
H71817C-2RZ/P4	85	110	13	21.5	32.2	9000	16000	胶木
H71818C-2RZ/P4	90	115	13	21.7	33.5	8500	15000	胶木
H71819C-2RZ/P4	95	120	13	21.9	34.7	8000	14000	胶木
H71820C-2RZ/P4	100	125	13	22.5	37.0	7500	13000	胶木
H71821C-2RZ/P4	105	130	13	22.7	38.3	7500	13000	胶木
H71822C-2RZ/P4	110	140	16	31.8	51.6	7000	12000	胶木
H71824C-2RZ/P4	120	150	16	33.1	56.9	60000	10000	胶木
H71826C-2RZ/P4	130	165	18	38.7	67.6	5700	9000	胶木
H71828C-2RZ/P4	140	175	18	44.8	79.2	5000	8000	胶木
H71830C-2RZ/P4	150	190	20	51.2	92.0	4600	7500	胶木
H71832C-2RZ/P4	160	200	20	52.4	97.7	4000	6500	胶木
H71834C-2RZ/P4	170	215	22	66.5	123.4	3800	6000	胶木
H71836C-2RZ/P4	180	225	22	159.7	249.1	3500	5700	胶木

注: 若需要本尺寸表中未列入的轴承, 请与我们联系。
Note: If the bearings not list here, please contact with us.

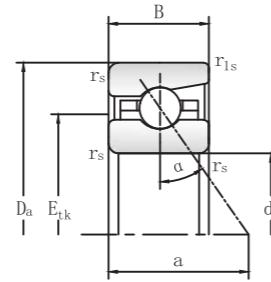
油额定载额 Cr	脂 Cor	油 Oil	保持架材质 CAGE		
				α = 25°	
				极限转速 Limited Speed	
1.7	1.1	69000	109000	胶木	
1.9	1.3	62000	94000	胶木	
2.1	1.7	53000	79000	胶木	
2.1	1.8	49000	74000	胶木	
3.7	3.2	39000	59000	胶木	
3.9	3.9	33000	49000	胶木	
4.1	4.5	27000	42000	胶木	
4.3	5.2	23000	37000	胶木	
4.5	5.8	19000	33000	胶木	
4.6	6.3	17000	29000	胶木	
6.9	9.5	15000	25000	胶木	
9.6	13.1	14000	23000	胶木	
12.6	17.0	13000	21000	胶木	
12.6	17.8	12000	19000	胶木	
13.0	19.1	11000	18000	胶木	
13.3	20.5	10000	17000	胶木	
13.6	21.8	85000	15000	胶木	
20.2	30.5	8000	14000	胶木	
20.4	31.6	7500	13000	胶木	
20.6	32.8	7500	13000	胶木	
21.2	34.9	7000	12000	胶木	
21.3	36.1	7000	12000	胶木	
29.9	48.7	6500	11000	胶木	
31.3	53.7	5700	9000	胶木	
36.3	63.8	5000	8000	胶木	
42.0	74.7	4600	7500	胶木	
48.0	86.8	4000	6500	胶木	
49.2	92.2	3800	6000	胶木	
62.4	116.5	3300	5300	胶木	
150.6	235.9	3000	5000	胶木	

注: 若需要本尺寸表中未列入的轴承, 请与我们联系。
Note: If the bearings not list here, please contact with us.

高速精密角接触球轴承
Precision Angular Contact Ball Bearings

718...系列 718... Series

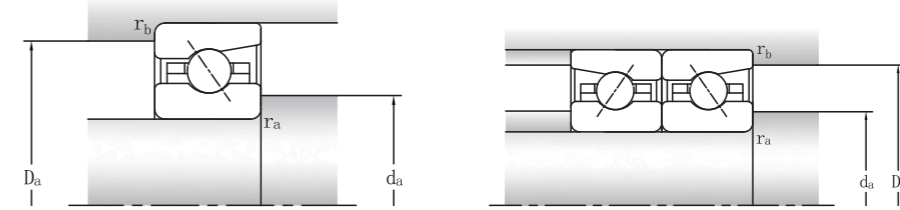
719...系列 719... Series



尺寸表 · 单位: mm Dimenisons Unit:mm

轴承 Bearings code	尺寸 Dimension					安装尺寸 Abutment Dimensions				额定载荷 Loading ratings	
	d	D	B	r _{smin}	r _{1smin}	d _a	Da/Db	r _a	r _b	Cr	Cor
	mm					min	max	max	max	kN	
71810C	50	65	7	0.3	0.1	54	61.5	0.3	0.1	7.35	7.35
71810AC	50	65	7	0.3	0.1	54	61.5	0.3	0.1	6.95	6.8
71811C	55	72	9	0.3	0.1	59	68.5	0.3	0.1	10.2	10.2
71811AC	55	72	9	0.3	0.1	59	68.5	0.3	0.1	9.65	9.5
71812C	60	78	10	0.3	0.1	63	74.5	0.3	0.1	13.2	13.2
71812AC	60	78	10	0.3	0.1	63	74.5	0.3	0.1	12.2	12.2
71813C	65	85	10	0.6	0.3	69	80.5	0.6	0.3	13.4	14
71813AC	65	85	10	0.6	0.3	69	80.5	0.6	0.3	12.7	12.9
71814C	70	90	10	0.6	0.3	74	85.5	0.6	0.3	14	15
71814AC	70	90	10	0.6	0.3	74	85.5	0.6	0.3	12.9	13.7
71815C	75	95	10	0.6	0.3	79	90.5	0.6	0.3	14.3	15.6
71815AC	75	95	10	0.6	0.3	79	90.5	0.6	0.3	13.4	14.6
71816C	80	100	10	0.6	0.3	84	95.5	0.6	0.3	14.6	16.6
71816AC	80	100	10	0.6	0.3	84	95.5	0.6	0.3	13.7	15.6
71817C	85	110	13	1.00	0.3	90	104.5	1.0	0.3	21.6	24
71817AC	85	110	13	1.00	0.3	90	104.5	1.0	0.3	20.4	22.4
71818C	90	115	13	1.00	0.30	95	109.5	1.0	0.3	21.20	23.60
71818AC	90	115	13	1.00	0.30	95	109.5	1.0	0.3	20.00	22.00
71819C	95	120	13	1.00	0.30	100	114.5	1.0	0.3	21.60	24.50
71819AC	95	120	13	1.00	0.30	100	114.5	1.0	0.3	20.40	22.80
71820C	100	125	13	1.00	0.3	105	119.5	1.0	0.3	21.6	25
71820AC	100	125	13	1.00	0.3	105	119.5	1.0	0.3	20.4	23.6

注: 若需要本尺寸表中未列入的轴承, 请与我们联系。
Note: If the bearings not list here, please contact with us.

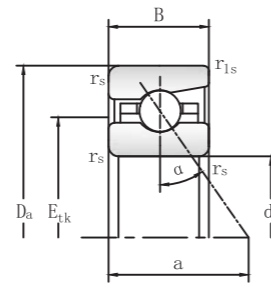


极限转速 Attainalbe Sppeed		预载荷 Preloading Force			轴向刚度 Axial Rigidity			重量 Weight
脂Lub.	油Oil	A(轻)	B(中)	C(重)	A(轻)	B(中)	C(重)	≈
r/min		N			N/μm			Kg
19000	32000	21	99	224	28.5	55.9	84	0.05
17000	28000	34	133	332	71.4	117.9	170.2	0.05
17000	28000	35	147	326	35.9	66.8	99.7	0.08
16000	26000	57	206	491	88.4	142.6	202.4	0.08
16000	26000	51	200	435	41	75.1	111.3	0.1
14000	22000	80	280	649	99.6	159.2	223.9	0.1
15000	24000	51	201	440	43.6	79.9	118.6	0.13
13000	20000	82	289	673	106.8	171	241.1	0.13
14000	22000	53	210	459	46.1	84.4	125.2	0.14
13000	20000	81	289	678	111	178.1	251.3	0.14
13000	20000	53	213	467	47.7	87.8	130.1	0.14
12000	19000	84	298	702	116.8	187.3	264.5	0.14
12000	19000	53	216	474	49.5	91.2	134.9	0.15
11000	18000	84	302	712	121.4	195.3	275.3	0.15
11000	18000	93	344	739	59.5	106.2	156.2	0.27
10000	17000	113	507	1142	113.7	230	319.4	0.27
11000	18000	91	337	724	59.0	105.2	154.5	0.28
9500	16000	110	495	1116	130.4	227.8	316.3	0.28
10000	17000	92	343	737	60.5	107.9	158.4	0.29
9000	15000	111	504	1137	133.7	234.0	324.9	0.29
9500	16000	91	341	735	61.2	109.4	160.6	0.3
8500	14000	109	500	1132	135.5	237.9	330.4	0.3

高速精密角接触球轴承
Precision Angular Contact Ball Bearings

718...系列 718... Series

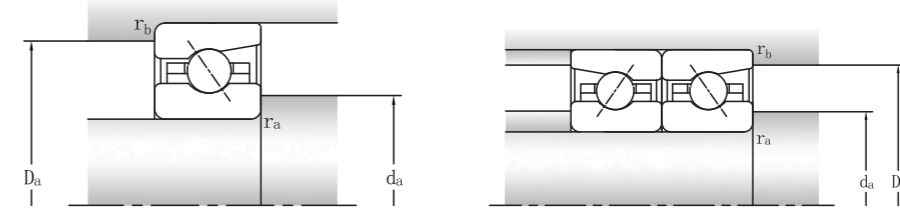
719...系列 719... Series



尺寸表 · 单位: mm Dimenisons Unit:mm

轴承 Bearings code	尺寸 Dimension					安装尺寸 Abutment Dimensions				额定载荷 Loading ratings	
	d	D	B	r _{smin}	r _{1smin}	d _a	Da/Db	r _a	r _b	Cr	Cor
	mm					min	max	max	max	kN	
71821C	105	130	13	1.0	0.3	110	124.5	1.0	0.3	22.8	27.5
71821AC	105	130	13	1.0	0.3	110	124.5	1.0	0.3	21.6	25.5
71822C	110	140	16	1.0	0.3	116	133.5	1.0	0.3	31.5	36.5
71822AC	110	140	16	1.0	0.3	116	133.5	1.0	0.3	29	34
71824C	120	150	16	1.0	0.3	126	143.5	1.0	0.3	32	39
71824AC	120	150	16	1.0	0.3	126	143.5	1.0	0.3	30	36
71826C	130	165	18	1.1	0.6	137	158	1.1	0.6	42.5	51
71826AC	130	165	18	1.1	0.6	137	158	1.1	0.6	40	48
71828C	140	175	18	1.1	0.6	147	168	1.1	0.6	43	54
71828AC	140	175	18	1.1	0.6	147	168	1.1	0.6	40.5	51
71830C	150	190	20	1.1	0.6	158	182	1.1	0.6	56	69.5
71830AC	150	190	20	1.1	0.6	158	182	1.1	0.6	52	64
71832C	160	200	20	1.1	0.6	168	192	1.1	0.6	57	73.5
71832AC	160	200	20	1.1	0.6	168	192	1.1	0.6	54	68
71834C	170	215	22	1.1	0.6	179	206	1.1	0.6	68	88
71834AC	170	215	22	1.1	0.6	179	206	1.1	0.6	64	81.5
71836C	180	225	22	1.1	0.6	189	216	1.1	0.6	71	93
71836AC	180	225	22	1.1	0.6	189	216	1.1	0.6	67	86.5
71838C	190	240	24	1.5	0.6	201	229	1.5	0.6	80	108
71838AC	190	240	24	1.5	0.6	201	229	1.5	0.6	75	100
71840C	200	250	24	1.5	0.6	211	239	1.5	0.6	81.5	114
71840AC	200	250	24	1.5	0.6	211	239	1.5	0.6	76.5	106

注: 若需要本尺寸表中未列入的轴承, 请与我们联系。
Note: If the bearings not list here, please contact with us.

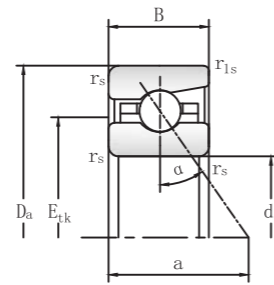


极限转速 Attainalbe Sppeed		预载荷 Preloading Force			轴向刚度 Axial Rigidity			重量 Weight
脂Lub.	油Oil	A(轻)	B(中)	C(重)	A(轻)	B(中)	C(重)	≈
r/min		N			N/μm			Kg
9000	15000	95	358	774	65.9	117.3	172.2	0.3
8000	13000	112	525	1193	144.8	256	355.8	0.3
8500	14000	146	521	1105	77.1	135.8	198.7	0.5
7500	12000	181	757	1673	170.6	291.1	401.7	0.5
7500	12000	146	527	1119	80.1	141	206.3	0.5
7000	11000	184	779	1725	178.5	305.9	421.9	0.5
7000	11000	208	723	1523	93.6	163.8	239.5	0.8
6300	9500	277	1092	2378	211.6	354.6	487.6	0.8
6300	9500	208	728	1536	97.1	169.7	247.6	0.8
6000	9000	275	1097	2397	219.6	369	507.2	0.8
6000	9000	281	955	1995	108.7	188.1	274	1.1
5300	8000	386	1465	3145	248.3	410.2	561.3	1.1
5600	8500	283	969	2032	113	195.6	284.9	1.2
5000	7500	389	1485	3194	259.3	428.3	585.7	1.2
5000	7500	357	1199	2492	122.5	210.9	305.7	1.6
4500	6700	499	1842	3924	282.1	461.1	627.9	1.6
4800	7000	372	1250	2600	129.2	222.3	322	1.7
4300	6300	520	1919	4103	297.8	486.8	663.3	1.7
4500	6700	353	1299	2772	130	230.5	336.7	2.2
4000	6000	429	1898	4254	288.3	499.6	691.5	2.2
4300	6300	355	1317	2817	134.9	239	348.9	2.3
3800	5600	428	1920	4319	298.8	519.7	719.4	2.3

高速精密角接触球轴承
Precision Angular Contact Ball Bearings

718...系列 718... Series

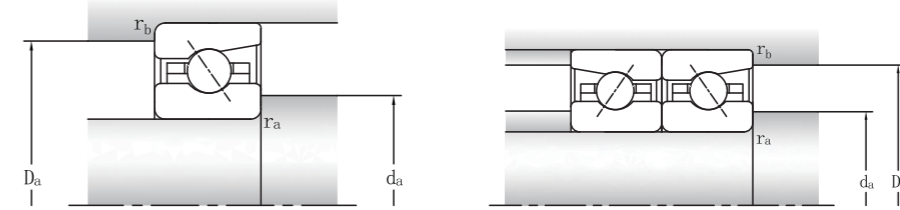
719...系列 719... Series



尺寸表 · 单位: mm Dimenisons Unit:mm

轴承 Bearings code	尺寸 Dimension					安装尺寸 Abutment Dimensions				额定载荷 Loading ratings	
	d	D	B	r _{smin}	r _{1smin}	d _a	Da/Db	r _a	r _b	Cr	Cor
	mm					min	max	max	max	kN	
71844C	220	270	24	1.5	0.6	231	259	1.5	0.6	83	118
71844AC	220	270	24	1.5	0.6	231	259	1.5	0.6	78	110
71848C	240	300	28	2.0	1.0	253	287	2.0	1.0	106	150
71848AC	240	300	28	2.0	1.0	253	287	2.0	1.0	98	140
71910C	50	72	12	0.6	0.6	55	67.5	0.6	0.6	19	16.6
71910AC	50	72	12	0.6	0.6	55	67.5	0.6	0.6	18	15.6
71911C	55	80	13	1.0	1.0	60	75.5	0.6	0.6	22.8	20.4
71911AC	55	80	13	1.0	1.0	60	75.5	0.6	0.6	21.6	19.3
71912C	60	85	13	1.0	1.0	65	80.5	0.6	0.6	24	22.8
71912AC	60	85	13	1.0	1.0	65	80.5	0.6	0.6	22.8	21.6
71913C	65	90	13	1.0	1.0	70	85.5	0.6	0.6	24.5	24
71913AC	65	90	13	1.0	1.0	70	85.5	0.6	0.6	22.8	22.4
71914C	70	100	16	1.0	1.0	76	94.5	0.6	0.6	33.5	32.5
71914AC	70	100	16	1.0	1.0	76	94.5	0.6	0.6	31.5	31
71915C	75	105	16	1.0	1.0	81	99.5	0.6	0.6	34	34.5
71915AC	75	105	16	1.0	1.0	81	99.5	0.6	0.6	32	32.5
71916C	80	110	16	1.0	1.0	86	104	0.6	0.6	34.5	36
71916AC	80	110	16	1.0	1.0	86	104	0.6	0.6	32.5	34
71917C	85	120	18	1.1	1.1	92	114	0.6	0.6	45	46.5
71917AC	85	120	18	1.1	1.1	92	114	0.6	0.6	42.5	44
71918C	90	125	18	1.1	1.1	97	119	0.6	0.6	45.50	49.00
71918AC	90	125	18	1.1	1.1	97	119	0.6	0.6	43.00	46.50

注: 若需要本尺寸表中未列入的轴承, 请与我们联系。
Note: If the bearings not list here, please contact with us.

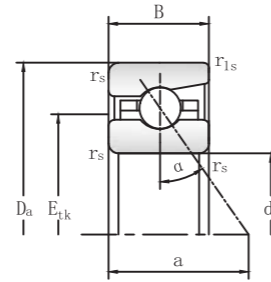


极限转速 Attainable Speed		预载荷 Preloading Force			轴向刚度 Axial Rigidity			重量 Weight
脂Lub.	油Oil	A(轻)	B(中)	C(重)	A(轻)	B(中)	C(重)	≈
r/min		N			N/μm			Kg
3800	5600	358	1335	2861	139.8	247.6	361	2.5
3400	5000	427	1943	4384	309.1	539.7	747.1	2.5
3400	5000	493	1763	3743	156	272.7	397	3.9
3000	4500	613	2571	5687	348.3	592.4	814.5	3.9
18000	30000	90	321	679	46	81.4	119.7	0.13
16000	26000	118	482	1059	103.1	175.1	242.3	0.13
16000	26000	112	391	825	51.2	90	131.9	0.18
15000	24000	149	592	1287	115.5	194.2	267.4	0.18
15000	24000	117	410	866	55	96.5	141.2	0.19
14000	22000	156	622	1353	124.4	209.2	287.9	0.19
14000	22000	118	417	883	56.5	99.4	145.6	0.2
13000	20000	153	617	1348	127.1	214	294.5	0.2
13000	20000	172	588	1230	66.5	115.5	168.2	0.33
12000	19000	234	890	1917	151.6	250.6	342.8	0.33
12000	19000	174	596	1246	68.5	118.8	172.7	0.35
11000	18000	236	901	1943	156.2	258.3	353.3	0.35
12000	19000	175	603	1262	70.3	122	177.2	0.37
11000	18000	238	911	1969	160.9	266	363.7	0.37
11000	18000	239	804	1672	80.3	138	200	0.53
9500	16000	336	1232	2631	185.3	301.8	411.4	0.53
10000	17000	240	811	1688	82.3	141.6	204.9	0.55
9000	15000	337	1243	2655	190.3	310.5	422.9	0.55

高速精密角接触球轴承
Precision Angular Contact Ball Bearings

718...系列 718... Series

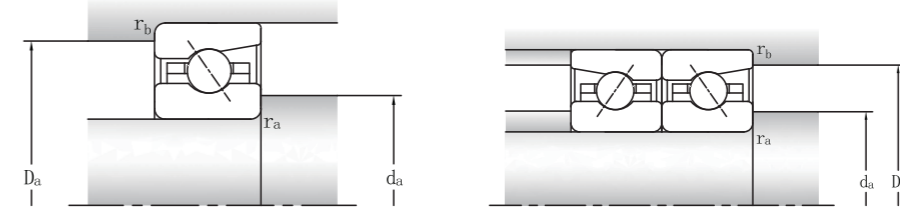
719...系列 719... Series



尺寸表 · 单位: mm Dimenisons Unit:mm

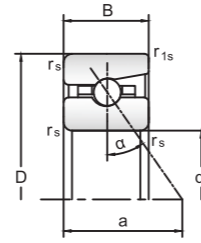
轴承 Bearings code	尺寸 Dimension					安装尺寸 Abutment Dimensions				额定载荷 Loading ratings	
	d	D	B	rsmn	r1smin	da	Da/Db	ra	rb	Cr	Cor
	mm					min	max	max	max	kN	
71919C	95	130	18	1.1	1.1	102	124	0.6	0.6	46.50	51.00
71919AC	95	130	18	1.1	1.1	102	124	0.6	0.6	44.00	48.00
71920C	100	140	20	1.1	1.1	107	133	0.6	0.6	58.5	64
71920AC	100	140	20	1.1	1.1	107	133	0.6	0.6	55	60
71921C	105	145	20	1.1	1.1	112	138	0.6	0.6	58.5	64
71921AC	105	145	20	1.1	1.1	112	138	0.6	0.6	55	60
71922C	110	150	20	1.1	1.1	117	143	0.6	0.6	58.5	67
71922AC	110	150	20	1.1	1.1	117	143	0.6	0.6	56	63
71924C	120	165	22	1.1	1.1	128	157	0.6	0.6	73.5	85
71924AC	120	165	22	1.1	1.1	128	157	0.6	0.6	69.5	80
71926C	130	180	24	1.5	1.5	139	171	0.6	0.6	86.5	100
71926AC	130	180	24	1.5	1.5	139	171	0.6	0.6	81.5	95
71928C	140	190	24	1.5	1.5	149	181	0.6	0.6	90	108
71928AC	140	190	24	1.5	1.5	149	181	0.6	0.6	85	102
71930C	150	210	28	2.0	1.0	160	199	1.0	1.0	122	143
71930AC	150	210	28	2.0	1.0	160	199	1.0	1.0	114	134
71932C	160	220	28	2.0	1.0	170	209	1.0	1.0	125	150
71932AC	160	220	28	2.0	1.0	170	209	1.0	1.0	116	140
71934C	170	230	28	2.0	1.5	180	219	1.0	1.0	129	163
71934AC	170	230	28	2.0	1.5	180	219	1.0	1.0	122	150
71936C	180	250	33	2.0	1.0	192	238	1.0	1.0	163	204
71936AC	180	250	33	2.0	1.0	192	238	1.0	1.0	156	193

注: 若需要本尺寸表中未列入的轴承, 请与我们联系。
Note: If the bearings not list here, please contact with us.



极限转速 Attainalbe Sppeed		预载荷 Preloading Force			轴向刚度 Axial Rigidity			重量 Weight
脂Lub.	油Oil	A(轻)	B(中)	C(重)	A(轻)	B(中)	C(重)	≈
r/min		N			N/μm			Kg
9500	16000	245	827	1724	84.9	145.9	211.1	0.58
8500	14000	343	1269	2713	196.4	320.5	436.5	0.58
9000	15000	318	1059	2194	94.6	161.7	233.7	0.79
8000	13000	453	1626	3437	219.8	355.1	481.6	0.79
8500	14000	318	1059	2194	94.6	161.7	233.7	0.8
7500	12000	453	1626	3437	219.8	355.1	481.6	0.8
8000	13000	316	1056	2191	96.5	164.8	237.9	0.8
7500	12000	458	1651	3495	226.3	365.8	496.2	0.8
7000	11000	408	1344	2773	109.5	186	267.5	1.2
6700	10000	591	2087	4388	256.2	411.5	555.9	1.2
6700	10000	489	1600	3291	117.5	199	285.6	1.5
6000	9000	714	2477	5193	275.6	439.7	593.2	1.5
6000	9000	506	1661	3412	124.7	210.9	301.9	1.6
5600	8500	740	2576	5405	293.3	467.9	630.8	1.6
5600	8500	710	2286	4680	141.4	237.8	340.6	2.5
5000	7500	1046	3541	7369	332.6	525.8	707.9	2.5
5000	7500	727	2341	4793	146.1	245.5	351.4	2.7
4800	7000	1061	3597	7491	342.8	541.8	729.2	2.7
4800	7000	747	2410	4941	154.3	258.7	369.9	2.8
4500	6700	1111	3777	7870	365.5	577.8	777.2	2.8
4500	6700	966	3086	6300	168.9	282.3	402.7	4.2
4000	6000	1478	4921	10164	403.5	633.6	849.1	4.2

超高速角接触球轴承
Ultra High-speed Angular contact thrust ball bearings
BNR10系列 BNR10Series $\alpha=18^\circ$

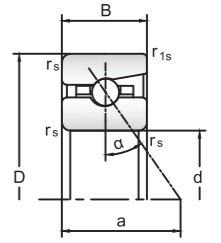


尺寸表 · 单位: mm Dimenisons Unit:mm

轴承型号 Bearing	尺寸 Dimension					基本额定荷载 Load rating		极限轴向负荷 Permissible axial load	E作用点位置 Effective load center	极限转速 Attainable Speed		重量 Weight
	d	D	B	r	r ₁	C _r	C _{or}			脂Grease	油Oil	
	mm					N		KN	mm	r/min		Kg
25BNR19S	25	42	9	0.3	0.15	5.95	5.95	4.95	9.9	41800	59800	0.042
25BNR19H	25	42	9	0.3	0.15	5.95	5.95	3.25	9.9	53800	83600	0.038
25BNR19X	25	42	9	0.3	0.15	5.95	5.95	3.25	9.9	62700	98600	0.038
30BNR19S	30	47	9	0.3	0.15	6.3	4.05	5.75	10.8	36400	52000	0.048
30BNR19H	30	47	9	0.3	0.15	6.3	4.05	3.80	10.8	46800	72800	0.043
30BNR19X	30	47	9	0.3	0.15	6.3	4.05	3.80	10.8	54600	85800	0.043
35BNR19S	35	55	10	0.6	0.3	9.20	6.00	8.55	12.3	31200	44500	0.072
35BNR19H	35	55	10	0.6	0.3	9.20	6.00	5.60	12.3	40000	62300	0.063
35BNR19X	35	55	10	0.6	0.3	9.20	6.00	5.60	12.3	46700	73400	0.063
40BNR19S	40	62	12	0.6	0.3	11.5	7.65	10.8	14.3	27500	39300	0.105
40BNR19H	40	62	12	0.6	0.3	11.5	7.65	7.10	14.3	35300	55000	0.092
40BNR19X	40	62	12	0.6	0.3	11.5	7.65	7.10	14.3	41200	64800	0.092
45BNR19S	45	68	12	0.6	0.3	12.1	8.7	12.4	15.2	24800	35400	0.125
45BNR19H	45	68	12	0.6	0.3	12.1	8.7	8.10	15.2	31900	49600	0.111
45BNR19X	45	68	12	0.6	0.3	12.1	8.7	8.10	15.2	37200	58500	0.111
50BNR19S	50	72	12	0.6	0.3	12.8	9.75	13.90	15.9	23000	32800	0.127
50BNR19H	50	72	12	0.6	0.3	12.8	9.75	9.10	15.9	29600	46000	0.111
50BNR19X	50	72	12	0.6	0.3	12.8	9.75	9.10	15.9	34500	54100	0.111
55BNR19S	55	80	13	1.0	0.6	14.4	11.4	16.2	17.5	20800	29700	0.178
55BNR19H	55	80	13	1.0	0.6	14.4	11.4	10.6	17.5	26700	41500	0.158
55BNR19X	55	80	13	1.0	0.6	14.4	11.4	10.6	17.5	31200	48900	0.158
60BNR19S	60	85	13	1.0	0.6	14.6	12	17.1	18.3	19400	27600	0.19
60BNR19H	60	85	13	1.0	0.6	14.6	12	11.2	18.3	24900	38700	0.17
60BNR19X	60	85	13	1.0	0.6	14.6	12	11.2	18.3	29000	45600	0.17
65BNR19S	65	90	13	1.0	0.6	15.2	13.2	18.7	19.1	18100	25900	0.204
65BNR19H	65	90	13	1.0	0.6	15.2	13.2	12.3	19.1	23300	36200	0.181
65BNR19X	65	90	13	1.0	0.6	15.2	13.2	12.3	19.1	27100	42600	0.181
70BNR19S	70	100	16	1.0	0.6	21.3	18.1	26.1	21.8	16500	23600	0.328
70BNR19H	70	100	16	1.0	0.6	21.3	18.1	17.1	21.8	21200	33000	0.292
70BNR19X	70	100	16	1.0	0.6	21.3	18.1	17.1	21.8	24800	38900	0.292

注: 若需要本尺寸表中未列入的轴承, 请与我们联系。
Notice: If the bearings not list here, please contact with us for details.

超高速角接触球轴承
Ultra High-speed Angular contact thrust ball bearings
BNR19系列 BNR19 Series $\alpha=18^\circ$

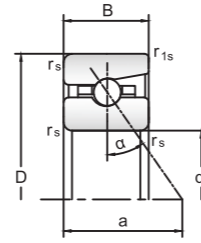


尺寸表 · 单位: mm Dimenisons Unit:mm

轴承型号 Bearing	尺寸 Dimension					基本额定荷载 Load rating		极限轴向负荷 Permissible axial load	E作用点位置 Effective load center	极限转速 Attainable Speed		重量 Weight
	d	D	B	r	r ₁	动荷载 dyn C _r	静荷载 stic C _{or}			脂Grease	油Oil	
	mm					N		KN	mm	r/min		Kg
75BNR19S	75	105	16	1	0.6	21.6	19.0	27.5	22.6	15600	22300	0.348
75BNR19H	75	105	16	1	0.6	21.6	19.0	18.0	22.6	20000	31200	0.31
75BNR19X	75	105	16	1	0.6	21.6	19.0	18.0	22.6	23400	36700	0.31
80BNR19S	80	110	16	1	0.6	22.0	19.9	28.9	23.4	14800	21100	0.366
80BNR19H	80	110	16	1	0.6	22.0	19.9	18.9	23.4	19000	29500	0.326
80BNR19X	80	110	16	1	0.6	22.0	19.9	18.9	23.4	22200	34800	0.326
85BNR19S	85	120	18	1.1	0.6	29.4	26.3	38.0	25.7	13700	19600	0.527
85BNR19H	85	120	18	1.1	0.6	29.4	26.3	24.8	25.7	17600	27400	0.456
85BNR19X	85	120	18	1.1	0.6	29.4	26.3	24.8	25.7	20500	32200	0.456
90BNR19S	90	125	18	1.1	0.6	31.5	29.7	43.0	26.5	13100	18700	0.552
90BNR19H	90	125	18	1.1	0.6	31.5	29.7	28.1	26.5	16800	26100	0.48
90BNR19X	90	125	18	1.1	0.6	31.5	29.7	28.1	26.5	19600	30700	0.48
95BNR19S	95	130	18	1.1	0.6	32.0	31.0	50.0	28.3	12500	17800	0.571
95BNR19H	95	130	18	1.1	0.6	32.0	31.0	32.5	28.3	16000	24900	0.497
95BNR19X	95	130	18	1.1	0.6	32.0	31.0	32.5	28.3	18700	29400	0.497
100BNR19S	100	140	20	1.1	0.6	38.0	35.0	50.5	29.5	11700	16700	0.77
100BNR19H	100	140	20	1.1	0.6	38.0	35.0	33.0	29.5	15000	23400	0.673
100BNR19X	100	140	20	1.1	0.6	38.0	35.0	33.0	29.5	17500	27500	0.673
105BNR19S	105	145	20	1.1	0.6	38.5	36.5	53.0	31.5	11200	16000	0.795
105BNR19H	105	145	20	1.1	0.6	38.5	36.5	39.0	31.5	14400	22400	0.693
105BNR19X	105	145	20	1.1	0.6	38.5	36.5	39.0	31.5	16800	26400	0.693
110BNR19S	110	150	20	1.1	0.6	39.0	38.0	55.5	31.1	10800	15400	0.838
110BNR19H	110	150	20	1.1	0.6	39.0	38.0	42.0	31.1	13900	21600	0.733
110BNR19X	110	150	20	1.1	0.6	39.0	38.0	42.0	31.1	16200	25400	0.733
120BNR19S	120	165	22	1.1	0.6	54.0	52.0	75.0	34.2	9900	14100	1.124
120BNR19H	120	165	22	1.1	0.6	54.0	52.0	49.0	34.2	12700	19700	0.949
120BNR19X	120	165	22	1.1	0.6	54.0	52.0	49.0	34.2	14800	23200	0.949
130BNR19S	130	180	24	1.5	1.0	59.5	58.5	85.0	37.2	9100	13000	1.477
130BNR19H	130	180	24	1.5	1.0	59.5	58.5	56.0	37.2	11700	18100	1.265
140BNR19S	140	190	24	1.5	1.0	60.0	61.5	89.5	38.8	8500	12200	1.567
140BNR19H	140	190	24	1.5	1.0	60.0	61.5	58.5	38.8	11000	17000	1.353
150BNR19S	150	210	28	2.0	1.0	77.0	78.5	114	43.2	7800	11200	2.459
150BNR19H	150	210	28	2.0	1.0	77.0	78.5	75.0	43.2	10000	15600	2.139

注: 若需要本尺寸表中未列入的轴承, 请与我们联系。
Notice: If the bearings not list here, please contact with us for details.

超高速角接触球轴承
Ultra High-speed Angular contact thrust ball bearings
BNR10系列 BNR10Series $\alpha=18^\circ$

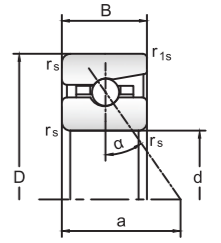


尺寸表 · 单位: mm Dimenisons Unit:mm

轴承型号 Bearing	尺寸 Dimension					基本额定荷载 Load rating		极限轴向负荷 Permissible axial load	E作用点位置 Effective load center	极限转速 Attainable Speed		重量 Weight
	d	D	B	r	r ₁	C _r	C _{or}			脂Grease	油Oil	
	mm					N		KN	mm	r/min		Kg
30BNR10S	30	55	13	1.0	0.6	8.65	5.75	8.20	13.3	33000	47100	0.124
30BNR10H	30	55	13	1.0	0.6	8.65	5.75	5.35	13.3	42400	65900	0.116
30BNR10X	30	55	13	1.0	0.6	8.65	5.75	5.35	13.3	49500	77700	0.116
35BNR10S	35	62	14	1.0	0.6	10.1	7.1	10.2	14.8	28900	41300	0.164
35BNR10H	35	62	14	1.0	0.6	10.1	7.1	6.7	14.8	37200	57800	0.154
35BNR10X	35	62	14	1.0	0.6	10.1	7.1	6.7	14.8	43300	68100	0.154
40BNR10S	40	68	15	1.0	0.6	10.6	7.95	11.5	16.2	26000	37100	0.204
40BNR10H	40	68	15	1.0	0.6	10.6	7.95	7.5	16.2	33400	51900	0.193
40BNR10X	40	68	15	1.0	0.6	10.6	7.95	7.5	16.2	38900	61200	0.193
45BNR10S	45	75	16	1.0	0.6	11.7	9.0	12.7	17.6	23400	33400	0.259
45BNR10H	45	75	16	1.0	0.6	11.7	9.0	8.35	17.6	30000	46700	0.246
45BNR10X	45	75	16	1.0	0.6	11.7	9.0	8.35	17.6	35000	55000	0.246
50BNR10S	50	80	16	1.0	0.6	12.2	9.9	14.0	18.4	21600	30800	0.281
50BNR10H	50	80	16	1.0	0.6	12.2	9.9	9.2	18.4	27700	43100	0.266
50BNR10X	50	80	16	1.0	0.6	12.2	9.9	9.2	18.4	32400	50800	0.266
55BNR10S	55	90	18	1.1	0.6	15.1	12.5	17.8	20.6	19400	27600	0.414
55BNR10H	55	90	18	1.1	0.6	15.1	12.5	11.7	20.6	24900	38700	0.393
55BNR10X	55	90	18	1.1	0.6	15.1	12.5	11.7	20.6	29000	45600	0.393
60BNR10S	60	95	18	1.1	0.6	15.6	13.7	19.5	21.5	18100	25900	0.443
60BNR10H	60	95	18	1.1	0.6	15.6	13.7	12.8	21.5	23300	36200	0.419
60BNR10X	60	95	18	1.1	0.6	15.6	13.7	12.8	21.5	27100	42600	0.419
65BNR10S	65	100	18	1.1	0.6	16.2	14.8	21.1	22.3	17000	24300	0.472
65BNR10H	65	100	18	1.1	0.6	16.2	14.8	13.9	22.3	21900	34000	0.447
65BNR10X	65	100	18	1.1	0.6	16.2	14.8	13.9	22.3	25500	40000	0.447
70BNR10S	70	110	20	1.1	0.6	22.3	19.8	28.6	24.5	15600	22300	0.645
70BNR10H	70	110	20	1.1	0.6	22.3	19.8	18.8	24.5	20000	31200	0.605
70BNR10X	70	110	20	1.1	0.6	22.3	19.8	18.8	24.5	23400	36700	0.605
75BNR10S	75	115	20	1.1	0.6	22.6	20.7	30.0	25.3	14800	21100	0.679
75BNR10H	75	115	20	1.1	0.6	22.6	20.7	19.7	25.3	19000	29500	0.638
75BNR10X	75	115	20	1.1	0.6	22.6	20.7	19.7	25.3	22200	34800	0.638

注: 若需要本尺寸表中未列入的轴承, 请与我们联系。
Notice: If the bearings not list here, please contact with us for details.

超高速角接触球轴承
Ultra High-speed Angular contact thrust ball bearings
BNR10系列 BNR10 Series $\alpha=18^\circ$



尺寸表 · 单位: mm Dimenisons Unit:mm

轴承型号 Bearing	尺寸 Dimension					基本额定荷载 Load rating		极限轴向负荷 Permissible axial load	E作用点位置 Effective load center	极限转速 Attainable Speed		重量 Weight
	d	D	B	r	r ₁	动荷载 dyn C _r	静荷载 stic C _{or}			脂Grease	油Oil	
	mm					N		KN	mm	r/min		Kg
80BNR10S	80	125	22	1.1	0.6	26.5	24.5	35.5	27.5	13700	19600	0.921
80BNR10H	80	125	22	1.1	0.6	26.5	24.5	23.4	27.5	17600	27400	0.867
80BNR10X	80	125	22	1.1	0.6	26.5	24.5	23.4	27.5	20500	32200	0.867
85BNR10S	85	130	22	1.1	0.6	26.8	25.7	37.5	28.4	13100	18700	0.962
85BNR10H	85	130	22	1.1	0.6	26.8	25.7	24.5	28.4	16800	26100	0.906
85BNR10X	85	130	22	1.1	0.6	26.8	25.7	24.5	28.4	19600	30700	0.906
90BNR10S	90	140	24	1.5	1.0	35.0	33.0	48.0	30.7	12200	17400	1.241
90BNR10H	90	140	24	1.5	1.0	35.0	33.0	31.5	30.7	15700	24400	1.155
90BNR10X	90	140	24	1.5	1.0	35.0	33.0	31.5	30.7	18300	28700	1.155
95BNR10S	95	145	24	1.5	1.0	35.5	34.5	50.0	31.3	11700	16700	1.298
95BNR10H	95	145	24	1.5	1.0	35.5	34.5	32.5	31.3	15000	23400	1.209
95BNR10X	95	145	24	1.5	1.0	35.5	34.5	32.5	31.3	17500	27500	1.209
100BNR10S	100	150	24	1.5	1.0	36.0	36.0	52.0	32.3	11200	16000	1.245
100BNR10H	100	150	24	1.5	1.0	36.0	36.0	34.0	32.3	14400	22400	1.253
100BNR10X	100	150	24	1.5	1.0	36.0	36.0	34.0	32.3	16800	26400	1.253
105BNR10S	105	160	26	2.0	1.0	41.0	41.0	59.5	34.5	10600	15100	1.698
105BNR10H	105	160	26	2.0	1.0	41.0	41.0	39.0	34.5	13600	21200	1.585
105BNR10X	105	160	26	2.0	1.0	41.0	41.0	39.0	34.5	15900	25000	1.585
110BNR10S	110	170	28	2.0	1.0	46.0	47.0	68.0	36.7	10000	14300	2.133
110BNR10H	110	170	28	2.0	1.0	46.0	47.0	44.5	36.7	12900	20000	1.996
110BNR10X	110	170	28	2.0	1.0	46.0	47.0	44.5	36.7	15000	23600	1.996
120BNR10S	120	180	28	2.0	1.0	47.5	50.5	73.5	38.4	9400	13400	2.286
120BNR10H	120	180	28	2.0	1.0	47.5	50.5	48.0	38.4	12000	18700	2.139
120BNR10X	120	180	28	2.0	1.0	47.5	50.5	48.0	38.4	14000	22000	2.139
130BNR10S	130	200	33	2.0	1.0	60	61.5	89.5	43.0	8500	12200	3.408
130BNR10H	130	200	33	2.0	1.0	60	61.5	58.5	43.0	11000	17000	3.194
140BNR10S	140	210	33	2.0	1.0	62.5	66.5	97.0	44.6	8000	11500	3.647
140BNR10H	140	210	33	2.0	1.0	62.5	66.5	63.5	44.6	10300	16000	3.419
150BNR10S	150	225	35	2.1	1.0	73.5	78.0	114.0	47.6	7500	10700	4.405
150BNR10H	150	225	35	2.1	1.0	73.5	78.0	74.5	47.6	9600	15000	4.129

注: 若需要本尺寸表中未列入的轴承, 请与我们联系。
Notice: If the bearings not list here, please contact with us for details.

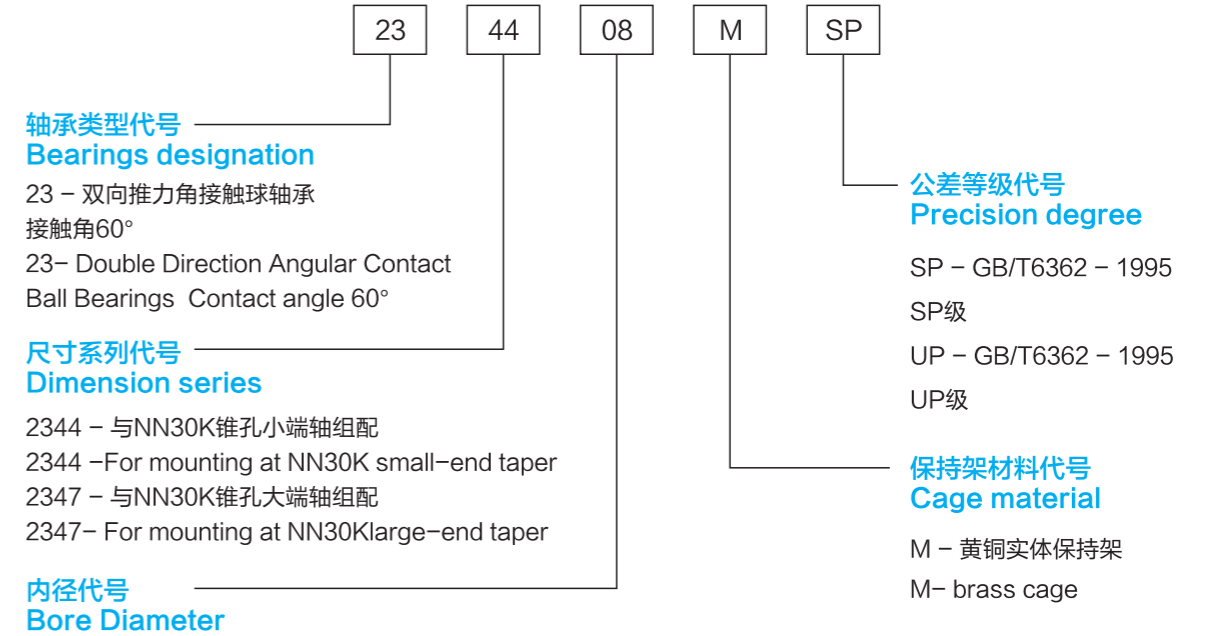
双向推力角接触球轴承

Double Direction Angular Contact Ball Bearings

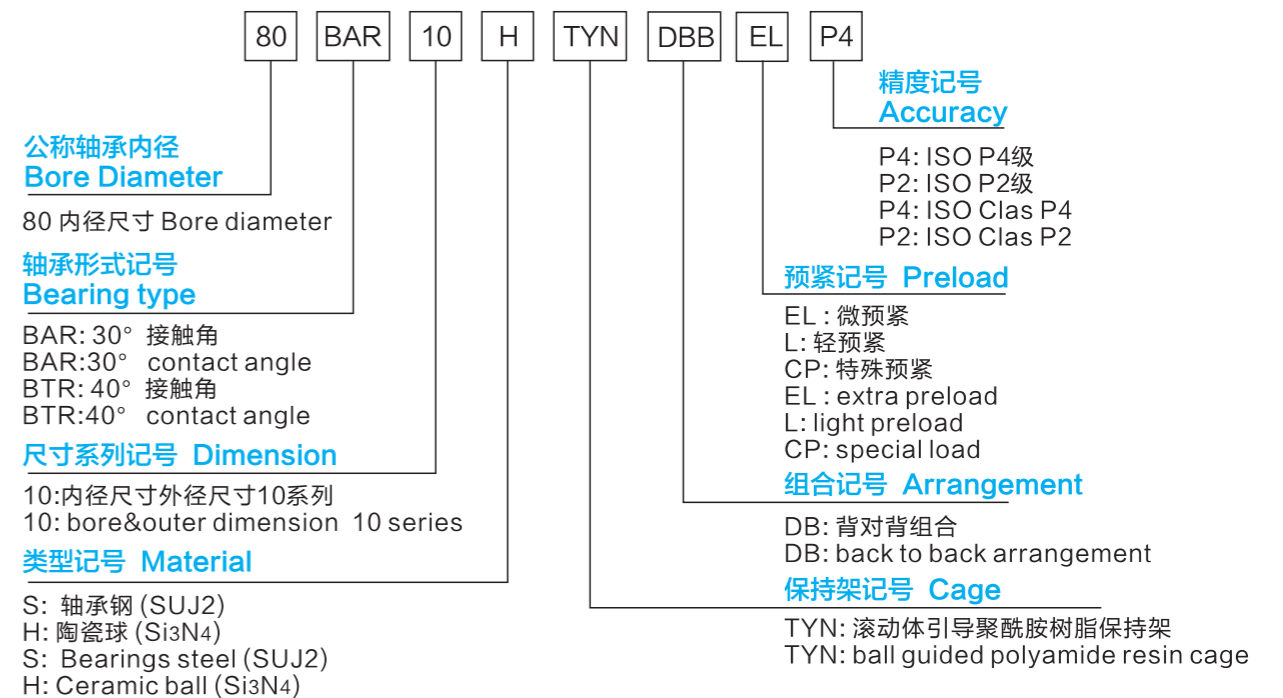


● Double Direction Angular Contact Ball Bearings

代号例 Bearings designation system:



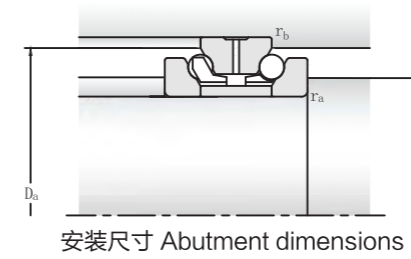
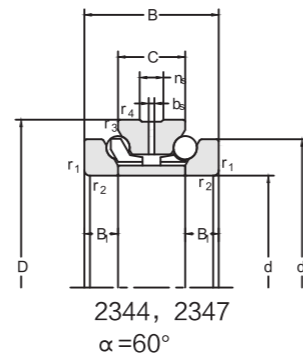
● High Speed Angular Contact Ball Bearings



双向推力角接触球轴承

Double Direction Angular Contact Ball Bearings

接触角 $\alpha=60^\circ$ Contact angle $\alpha=60^\circ$



尺寸表 · 单位: mm Dimenisons Unit:mm

轴承型号 Bearing	质量 Weight m=kg	基本尺寸									
		d	D	B	C	d ₁	B ₁	r min.	r ₁ min.	d _s	η _s
234406M	0.29	30	55	32	16	47	8.0	1.0	0.15	3.2	4.8
234706M	0.27	32	55	32	16	47	8.0	1.0	0.15	3.2	4.8
234407M	0.38	35	62	34	17	53	8.5	1.0	0.15	3.2	4.8
234707M	0.35	37	62	34	17	53	8.5	1.0	0.15	3.2	4.8
234408M	0.46	40	68	36	18	58.5	9.0	1.0	0.15	3.2	4.8
234708M	0.43	42	68	36	18	58.5	9.0	1.0	0.15	3.2	4.8
234409M	0.58	45	75	38	19	65	9.5	1.0	0.15	3.2	4.8
234709M	0.54	47	75	38	19	65	9.5	1.0	0.15	3.2	4.8
234410M	0.63	50	80	38	19	70	9.5	1.0	0.15	3.2	4.8
234710M	0.58	52	80	38	19	70	9.5	1.0	0.15	3.2	4.8
234411M	0.94	55	90	44	22	78	11.0	1.1	0.3	3.2	6.5
234711M	0.88	57	90	44	22	78	11.0	1.1	0.3	3.2	6.5
234412M	1.01	60	95	44	22	83	11.0	1.1	0.3	3.2	6.5
234712M	0.94	62	95	44	22	83	11.0	1.1	0.3	3.2	6.5
234413M	1.08	65	100	44	22	88	11.0	1.1	0.3	3.2	6.5
234713M	1.01	67	100	44	22	88	11.0	1.1	0.3	3.2	6.5
234414M	1.49	70	110	48	24	97	12.0	1.1	0.3	3.2	6.5
234714M	1.36	73	110	48	24	97	12.0	1.1	0.3	3.2	6.5
234415M	1.57	75	115	48	24	102	12.0	1.1	0.3	3.2	6.5
234715M	1.43	78	115	48	24	102	12.0	1.1	0.3	3.2	6.5
234416M	2.16	80	125	54	27	110	13.5	1.1	0.3	3.2	6.5
234716M	1.98	83	125	54	27	110	13.5	1.1	0.3	3.2	6.5
234417M	2.25	85	130	54	27	115	13.5	1.1	0.3	4.8	9.5
234717M	2.07	88	130	54	27	115	13.5	1.1	0.3	4.8	9.5
234418M	2.92	90	140	60	30	123	15.0	1.5	0.3	4.8	9.5
234718M	2.71	93	140	60	30	123	15.0	1.5	0.3	4.8	9.5
234419M	3.04	95	145	60	30	128	15.0	1.5	0.3	4.8	9.5
234719M	2.83	98	145	60	30	128	15.0	1.5	0.3	4.8	9.5
234420M	3.17	100	150	60	30	133	15.0	1.5	0.3	4.8	9.5
234720M	2.95	103	150	60	30	133	15.0	1.5	0.3	4.8	9.5

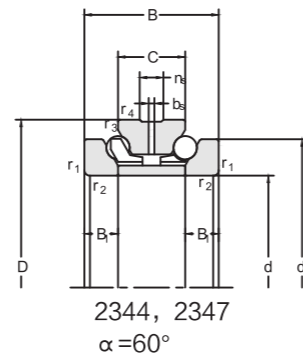
注: 若需要本尺寸表中未列入的轴承, 请予我们联系。
Notice: If the bearings not lsit here, please contact with us for details.

安装尺寸 Abutment Dimensions				基本额定荷载 Load rating		极限转速 Attainalbe Speed		预紧力	卸载力 ²⁾	轴向刚度 ³⁾
da h12	Da H12	R _a max.	r _{a1} max.	动荷载 dyn C _d N	静荷载 sta C ₀ N	n ₀ 脂 Grease min ⁻¹	n ₀ 油 ¹⁾ Oil min ⁻¹	Preloading force F _v N	Unloading force K _{aE} N	Rigidity force S _z N/μm
40.5	50.5	1.0	0.15	15300	36000	11000	16000	108	308	276
40.5	50.5	1.0	0.15	15300	36000	11000	16000	108	308	276
46.5	57.0	1.0	0.15	18900	47000	9500	14000	134	382	316
46.5	57.0	1.0	0.15	18900	47000	9500	14000	134	382	316
51.5	63.5	1.0	0.15	22900	59000	8500	12000	160	456	354
51.5	63.5	1.0	0.15	22900	59000	8500	12000	160	456	354
57.5	70.0	1.0	0.15	25000	67000	7500	10000	180	514	387
57.5	70.0	1.0	0.15	25000	67000	7500	10000	180	514	387
62.5	75.0	1.0	0.15	26000	72000	7000	9500	183	522	410
62.5	75.0	1.0	0.15	26000	72000	7000	9500	183	522	410
69.0	84.5	1.1	0.3	36500	99000	6300	8500	260	743	458
69.0	84.5	1.1	0.3	36500	99000	6300	8500	260	743	458
74.0	89.5	1.1	0.3	36000	98000	6000	8000	255	728	455
74.0	89.5	1.1	0.3	36000	98000	6000	8000	255	728	455
79.0	94.5	1.1	0.3	38500	111000	5600	7500	275	785	506
79.0	94.5	1.1	0.3	38500	111000	5600	7500	275	785	506
86.5	103.5	1.1	0.3	46000	134000	5300	7000	325	926	552
86.5	103.5	1.1	0.3	46000	134000	5300	7000	325	926	552
91.5	108.5	1.1	0.3	47500	144000	5000	6700	340	969	589
91.5	108.5	1.1	0.3	47500	144000	5000	6700	340	969	589
98.5	117.0	1.1	0.3	56000	175000	4500	6000	400	1140	640
98.5	117.0	1.1	0.3	56000	175000	4500	6000	400	1140	640
103.5	122.0	1.1	0.3	57000	181000	4500	6000	400	1140	655
103.5	122.0	1.1	0.3	57000	181000	4500	6000	400	1140	655
110.5	130.5	1.5	0.3	66000	213000	4000	5300	465	1326	708
110.5	130.5	1.5	0.3	66000	213000	4000	5300	465	1326	708
115.5	135.5	1.5	0.3	66000	219000	4000	5300	465	1326	724
115.5	135.5	1.5	0.3	66000	219000	4000	5300	465	1326	724
120.5	140.5	1.5	0.3	67000	226000	3800	5000	685	1956	843
120.5	140.5	1.5	0.3	67000	226000	3800	5000	685	1956	843

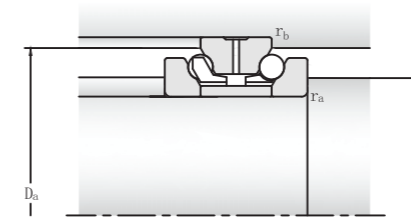
双向推力角接触球轴承

Double Direction Angular Contact Ball Bearings

接触角 $\alpha=60^\circ$ Contact angle $\alpha=60^\circ$



2344, 2347
 $\alpha=60^\circ$



安装尺寸 Abutment dimensions

尺寸表 · 单位: mm Dimenisons Unit:mm

轴承型号 Bearing	质量 Weight m =kg	基本尺寸									
		d	D	B	C	d ₁	B ₁	r min.	r ₁ min.	d _s	η_s
234421M	4.07	105	160	66	33	142	16.5	2.0	0.6	4.8	9.5
234721M	3.73	109	160	66	33	142	16.5	2.0	0.6	4.8	9.5
234422M	5.19	110	170	72	36	150	18	2.0	0.6	4.8	9.5
234722M	4.79	114	170	72	36	150	18	2.0	0.6	4.8	9.5
234424M	5.56	120	180	72	36	160	18	2.0	0.6	4.8	9.5
234724M	5.14	124	180	72	36	160	18	2.0	0.6	4.8	9.5
234426M	8.28	130	200	84	42	177	21	2.0	0.6	6.3	12.2
234726M	7.58	135	200	84	42	177	21	2.0	0.6	6.3	12.2
234428M	8.78	140	210	84	42	187	21	2.1	0.6	6.3	12.2
234728M	8.07	145	210	84	42	187	21	2.1	0.6	6.3	12.2
234430M	10.8	150	225	90	45	200	22.5	2.1	0.6	8.0	15
234730M	9.95	155	225	90	45	200	22.5	2.1	0.6	8.0	15
234432M	12.9	160	240	96	48	212	24	2.1	0.6	8.0	15
234732M	12	165	240	96	48	212	24	2.1	0.6	8.0	15
234434M	17.7	170	260	108	54	230	27	2.1	0.6	8.0	15
234734M	16.3	176	260	108	54	230	27	2.1	0.6	8.0	15
234436M	23.4	180	280	120	60	248	30	2.1	0.6	8.0	15
234736M	21.5	187	280	120	60	248	30	2.1	0.6	8.0	15
234438M	24.7	190	290	120	60	258	30	2.1	0.6	8.0	15
234738M	22.6	197	290	120	60	258	30	2.1	0.6	8.0	15
234440M	31.5	200	310	132	66	274	33	2.1	8.0	8.0	15
234740M	29.2	207	310	132	66	274	33	2.1	8.0	8.0	15
234444M	41.7	220	340	144	72	304	36	3.0	9.5	9.5	17.7
234744M	38.5	228	340	144	72	304	36	3.0	9.5	9.5	17.7
234448M	43.8	240	360	144	72	322	36	3.0	9.5	9.5	17.7
234748M	40.4	248	360	144	72	322	36	3.0	9.5	9.5	17.7
234452M	64.5	260	400	164	82	354	41	4.0	9.5	9.5	17.7
234752M	59.7	269	400	164	82	354	41	4.0	9.5	9.5	17.7
234456M	69	280	420	164	82	374	41	4.0	9.5	9.5	17.7
234756M	63.8	289	420	164	82	374	41	4.0	9.5	9.5	17.7

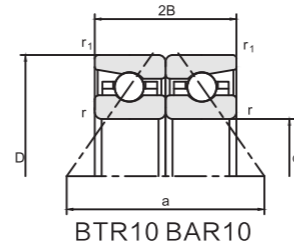
注: 若需要本尺寸表中未列入的轴承, 请予我们联系。
Notice: If the bearings not list here, please contact with us for details.

安装尺寸 Abutment Dimensions				基本额定荷载 Load rating		极限转速 Attainalbe Speed		预紧力	卸载力 ²⁾	轴向刚度 ³⁾
da h12	Da H12	R _a max.	r _{a1} max.	动荷载 dyn C _d N	静荷载 sta C ₀ N	n ₀ 脂 Grease min ⁻¹	n ₀ 油 ¹⁾ Oil min ⁻¹	Preloading force F _v N	Unloading force K _{aE} N	Rigidity force S _z N/μm
128	150	2.0	0.6	74000	250000	3600	4800	530	1511	775
128	150	2.0	0.6	74000	250000	3600	4800	530	1511	775
134.5	160	2.0	0.6	98000	325000	3400	4500	695	1983	853
134.5	160	2.0	0.6	98000	325000	3400	4500	695	1983	853
144.5	170	2.0	0.6	101000	345000	3200	4300	960	2736	996
144.5	170	2.0	0.6	101000	345000	3200	4300	960	2736	996
159	188	2.0	0.6	128000	440000	2800	3800	900	2570	978
159	188	2.0	0.6	128000	440000	2800	3800	900	2570	978
169	198	2.1	0.6	132000	470000	2600	3600	930	2649	1034
169	198	2.1	0.6	132000	470000	2600	3600	930	2649	1034
181	211.5	2.1	0.6	142000	520000	2600	3600	1320	3764	1183
181	211.5	2.1	0.6	142000	520000	2600	3600	1320	3764	1183
192.5	226	2.1	0.6	168000	600000	2400	3400	1180	3362	1149
192.5	226	2.1	0.6	168000	600000	2400	3400	1180	3362	1149
206.5	245	2.1	0.6	207000	740000	2200	3200	1847	5270	1362
206.5	245	2.1	0.6	207000	740000	2200	3200	1847	5270	1362
221	263	2.1	0.6	235000	840000	2000	3000	1660	4733	1315
221	263	2.1	0.6	235000	840000	2000	3000	1660	4733	1315
231	273	2.1	0.6	244000	900000	1900	2800	2110	6021	1495
231	273	2.1	0.6	244000	900000	1900	2800	2110	6021	1495
245	291.5	2.1	0.6	285000	1060000	1800	2600	2600	5704	1449
245	291.5	2.1	0.6	285000	1060000	1800	2600	2600	5704	1449
269	318	3.0	1.1	340000	1330000	1600	2200	2200	6848	1629
269	318	3.0	1.1	340000	1330000	1600	2200	2200	6848	1629
289	338	3.0	1.1	350000	1420000	1500	2000	2000	7134	1729
289	338	3.0	1.1	350000	1420000	1500	2000	2000	7134	1729
317.5	374.5	4.0	1.5	400000	1680000	1400	1900	1900	8257	1814
317.5	374.5	4.0	1.5	400000	1680000	1400	1900	1900	8257	1814
337.5	394.5	4.0	1.5	415000	1790000	1300	1800	1800	8542	1920
337.5	394.5	4.0	1.5	415000	1790000	1300	1800	1800	8542	1920

高速推力角接触球轴承
High-speed Angular contact thrust ball bearings

BAR10系列 BAR10 Series $\alpha=30^\circ$

BTR10系列 BTR10 Series $\alpha=40^\circ$



尺寸表 · 单位: mm Dimenisons Unit:mm

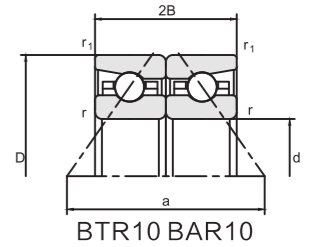
轴承型号 Bearing	尺寸 Demension					基本额定载荷 Basic loading ratings		极限轴向负荷 Permissible axial load	作用点位置 Effective load center	极限转速 Attainable Speed		重量 Weight
	d	D	2B	r	r ₁	KN	KN			mm	脂Grease	
	mm							KN			r/min	r/min
50BAR10S	50	80	28.5	1.0	0.6	14.7	27.7	18.4	25.7	11600	14700	0.272
50BAR10H	50	80	28.5	1.0	0.6	14.7	27.7	12.6	25.7	13100	16200	0.257
50BTR10S	50	80	28.5	1.0	0.6	17.4	31.5	21.5	34.1	10000	13100	0.272
50BTR10H	50	80	28.5	1.0	0.6	17.4	31.5	15.5	34.1	11600	14700	0.257
55BAR10S	55	90	33.0	1.1	0.6	18.2	35.0	23.4	28.9	10400	13200	0.412
55BAR10H	55	90	33.0	1.1	0.6	18.2	35.0	16.0	28.9	11800	14500	0.391
55BTR10S	55	90	33.0	1.1	0.6	21.6	40.0	26.4	38.3	9000	11800	0.412
55BTR10H	55	90	33.0	1.1	0.6	21.6	40.0	19.7	38.3	10400	13200	0.391
60BAR10S	60	95	33.0	1.1	0.6	18.9	38.0	25.5	30.4	9700	12300	0.420
60BAR10H	60	95	33.0	1.1	0.6	18.9	38.0	17.5	30.4	11000	13600	0.397
60BTR10S	60	95	33.0	1.1	0.6	22.4	43.5	25.8	40.4	8400	11000	0.420
60BTR10H	60	95	33.0	1.1	0.6	22.4	43.5	21.5	40.4	9700	12300	0.397
65BAR10S	65	100	33.0	1.1	0.6	19.5	41.5	27.7	31.8	9100	11600	0.447
65BAR10H	65	100	33.0	1.1	0.6	19.5	41.5	19.0	31.8	10400	12800	0.406
65BTR10S	65	100	33.0	1.1	0.6	23.1	47.0	27.3	42.5	7900	10400	0.447
65BTR10H	65	100	33.0	1.1	0.6	23.1	47.0	23.3	42.5	9100	11600	0.406
70BAR10S	70	110	36.0	1.1	0.6	26.9	55.0	37.5	34.7	8400	10600	0.601
70BAR10H	70	110	36.0	1.1	0.6	26.9	55.0	25.5	34.7	9500	11700	0.561
70BTR10S	70	110	36.0	1.1	0.6	32.0	63.0	35.0	46.3	7300	9500	0.601
70BTR10H	70	110	36.0	1.1	0.6	32.0	63.0	31.5	46.3	8400	10600	0.561
75BAR10S	75	115	36.0	1.1	0.6	27.3	58.0	39.0	36.1	7900	10000	0.634
75BAR10H	75	115	36.0	1.1	0.6	27.3	58.0	26.7	36.1	9000	11100	0.592
75BTR10S	75	115	36.0	1.1	0.6	32.5	65.5	36.5	48.4	6900	9000	0.634
75BTR10H	75	115	36.0	1.1	0.6	32.5	65.5	33.0	48.4	7900	10000	0.592
80BAR10S	80	125	40.5	1.1	0.6	32.0	68.5	46.5	39.4	7400	9300	0.875
80BAR10H	80	125	40.5	1.1	0.6	32.0	68.5	32.0	39.4	8300	10300	0.821
80BTR10S	80	125	40.5	1.1	0.6	38.0	78.0	43.0	52.7	6400	8300	0.875
80BTR10H	80	125	40.5	1.1	0.6	38.0	78.0	39.0	52.7	7400	9300	0.821
85BAR10S	85	130	40.5	1.1	0.6	32.5	71.5	48.5	41.1	7000	8900	0.971
85BAR10H	85	130	40.5	1.1	0.6	32.5	71.5	33.0	41.1	8000	9800	0.915
85BTR10S	85	130	40.5	1.1	0.6	38.5	81.5	50.5	55.2	6100	8000	0.971
85BTR10H	85	130	40.5	1.1	0.6	38.5	81.5	41.0	55.2	7000	8900	0.915
90BAR10S	90	140	45.0	1.5	1.0	42.5	92.5	62.5	44.4	6600	8300	1.198
90BAR10H	90	140	45.0	1.5	1.0	42.5	92.5	43.0	44.4	7400	9200	1.124
90BTR10S	90	140	45.0	1.5	1.0	50.0	105.0	58.0	59.5	5700	7400	1.198
90BTR10H	90	140	45.0	1.5	1.0	50.0	105.0	52.5	59.5	6600	8300	1.124

注: 若需要本尺寸表中未列入的轴承, 请与我们联系。
Notice: If the bearings not listed here, please contact with us for details.

高速推力角接触球轴承
High-speed Angular contact thrust ball bearings

BAR10系列 BAR10 Series $\alpha=30^\circ$

BTR10系列 BTR10 Series $\alpha=40^\circ$



尺寸表 · 单位: mm Dimenisons Unit:mm

轴承型号 Bearing	尺寸 Demension					基本额定载荷 Basic loading ratings		极限轴向负荷 Permissible axial load	作用点位置 Effective load center	极限转速 Attainable Speed		重量 Weight
	d	D	2B	r	r ₁	KN	KN			mm	脂Grease	
	mm							KN			r/min	r/min
95BAR10S	95	145	45.0	1.5	1.0	43.0	96.5	65.0	45.5	6300	8000	1.320
95BAR10H	95	145	45.0	1.5	1.0	43.0	96.5	44.5	45.5	7100	8800	1.231
95BTR10S	95	145	45.0	1.5	1.0	51.0	110.0	69.0	61.0	5500	7100	1.320
95BTR10H	95	145	45.0	1.5	1.0	51.0	110.0	55.0	61.0	6300	8000	1.231
100BAR10S	100	150	45.0	1.5	1.0	43.5	100.0	68.0	47.3	6000	7600	1.399
100BAR10H	100	150	45.0	1.5	1.0	43.5	100.0	46.5	47.3	6800	8400	1.307
100BTR10S	100	150	45.0	1.5	1.0	51.5	114.0	66.5	63.7	5200	6800	1.399
100BTR10H	100	150	45.0	1.5	1.0	51.5	114.0	57.0	63.7	6000	7600	1.307
105BAR10S	105	160	49.5	2.0	1.0	49.5	115.0	78.0	50.6	5700	7200	1.740
105BAR10H	105	160	49.5	2.0	1.0	49.5	115.0	53.5	50.6	6500	8000	1.624
105BTR10S	105	160	49.5	2.0	1.0	58.5	131.0	84.0	68.0	5000	6500	1.740
105BTR10H	105	160	49.5	2.0	1.0	58.5	131.0	65.5	68.0	5700	7200	1.624
110BAR10S	110	170	54.0	2.0	1.0	55.5	131.0	89.0	53.9	5400	6800	2.11
110BAR10H	110	170	54.0	2.0	1.0	55.5	131.0	60.5	53.9	6100	7500	1.972
110BTR10S	110	170	54.0	2.0	1.0	66.0	148.0	82.5	72.2	4700	6100	2.110
110BTR10H	110	170	54.0	2.0	1.0	66.0	148.0	74.5	72.2	5400	6800	1.972
120BAR10S	120	180	54.0	2.0	1.0	57.0	141.0	96.0	56.8	5000	6400	2.262
120BAR10H	120	180	54.0	2.0	1.0	57.0	141.0	65.5	56.8	5700	7000	2.114
120BTR10S	120	180	54.0	2.0	1.0	68.0	160.0	88.5	76.4	4400	5700	2.262
120BTR10H	120	180	54.0	2.0	1.0	68.0	160.0	80.5	76.4	5000	6400	2.114
130BAR10S	130	200	63.0	2.0	1.0	72.5	172.0	117.0	63.4	4600	5800	3.362
130BAR10H	130	200	63.0	2.0	1.0	72.5	172.0	79.5	63.4	5200	6400	3.148
130BTR10S	130	200	63.0	2.0	1.0	86.0	195.0	106.0	85.0	4000	5200	3.362
130BTR10H	130	200	63.0	2.0	1.0	86.0	195.0	98.0	85.0	4600	5800	3.148
140BAR10S	140	210	63.0	2.0	1.0	78.5	200.0	135.0	66.2	4300	5500	3.558
140BTR10S	140	210	63.0	2.0	1.0	93.0	227.0	84.0	89.1	3800	4900	3.558
150BAR10S	150	225	67.5	2.1	1.1	92.5	234.0	160.0	71.0	4000	5100	4.354
150BTR10S	150	225	67.5	2.1	1.1	110.0	267.0	165.0	95.5	3500	4600	4.354
160BAR10S	160	240	72.0	2.1	1.1	98.5	250.0	104.0	75.7	3800	4800	5.640
160BTR10S	160	240	72.0	2.1	1.1	117.0	284.0	184.0	101.9	3300	4300	5.640
170BAR10S	170	260	81.0	2.1	1.1	115.0	295.0	207.0	82.3	3500	4500	7.900
170BTR10S	170	260	81.0	2.1	1.1	136.0	335.0	220.0	110.5	3100	4000	7.900
180BAR10S	180	280	90.0	2.1	1.1	151.0	385.0	262.0	88.8	3300	4200	10.200
180BTR10S	180	280	90.0	2.1	1.1	179.0	440.0	255.0	118.9	2900	3700	10.200
190BAR10S	190	290	90.0	2.1	1.1	151.0	390.0	273.0	91.8	3200	4000	10.700
190BTR10S	190	290	90.0	2.1	1.1	179.0	445.0	281.0	123.2	2800	3600	10.700
200BAR10S	200	310	99.0	2.1	1.1	169.0	444.0	300.0	98.3	3000	3800	13.800
200BTR10S	200	310	99.0	2.1	1.1	201.0	505.0	310.0	131.7	2600	3400	13.800

注: 若需要本尺寸表中未列入的轴承, 请与我们联系。
Notice: If the bearings not listed here, please contact with us for details.

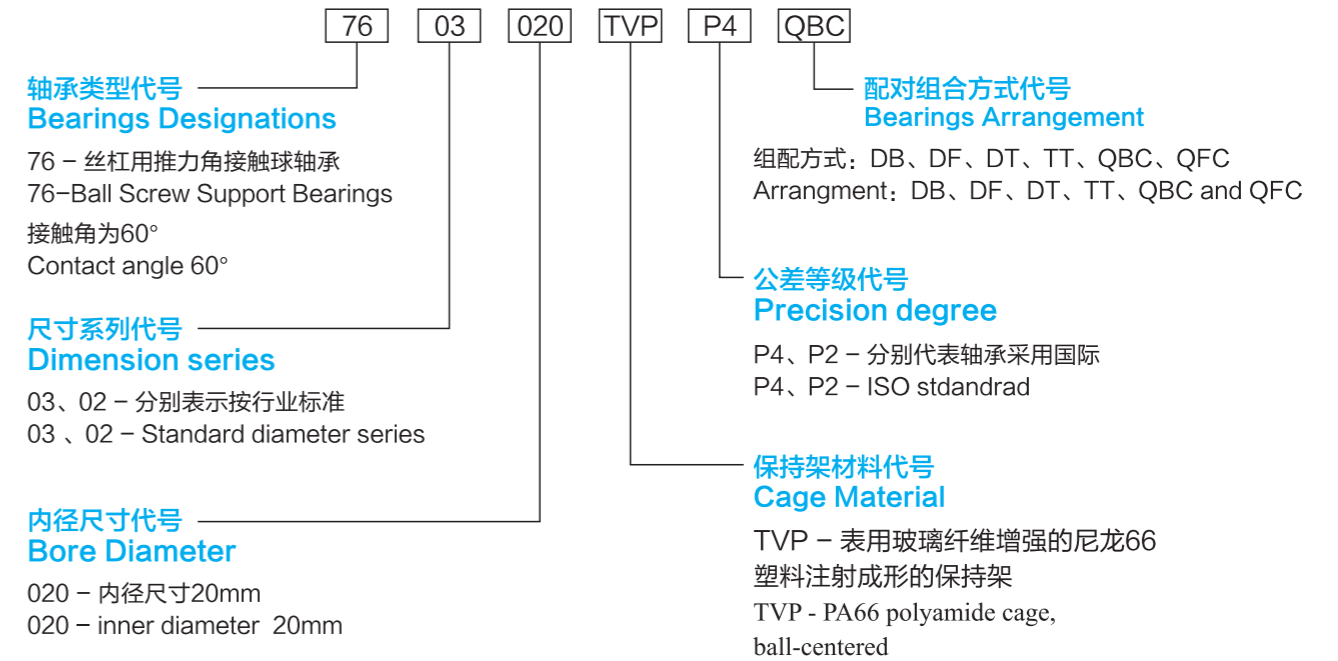
丝杠用推力角接触球轴承

Precision Ball Screw Support Bearings



● Precision Ball Screw Support Bearings

代号例 Bearings Designation system :



滚珠丝杠支撑轴承是一种高精度角接触推力球轴承(接触角60°)，高速、高轴向刚度、低摩擦、长寿命和瞬态高低速转换。滚珠丝杠轴承特别的适用于高速精密数控机床中滚珠丝杠及类似传动部件的支撑。

Ball screw support bearing is a kind angular contact thrust ball bearing (contact angle 60°) with high precision, high speed, high axial stiffness, low friction, long life and transient high/low speed conversion. The ball screw bearing is particularly suitable for the supporting of ball screw and similar transmitting components in high-speed precision CNC machine tools.

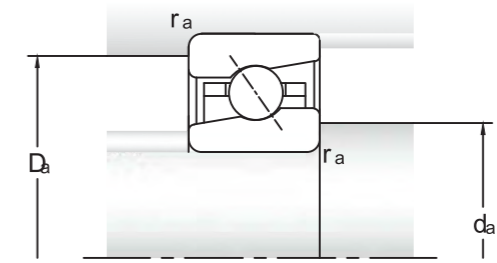
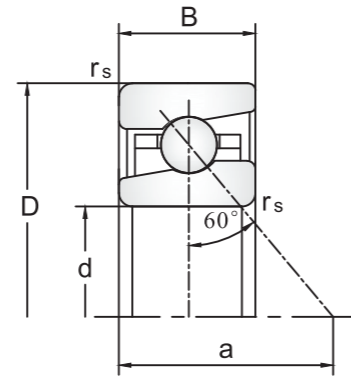
精密滚珠丝杠支撑轴承包括7602、7603、BS、BSS系列滚珠丝杠轴承四种产品。7602和7603系列是标准公制，内径从12mm到130mm;BS系列滚珠丝杠轴承是非标公制和BSS系列为英制。

Precision ball screw support bearings include four kinds of products: 7602, 7603, BS, BSS series ball screw bearings. The 7602 and 7603 series are standard metric, with the inner diameters from 12mm to 130mm; BS series bearings for ball screws are non-standard metric and BSS series are inch series.

产品特点 Features

1. 传动效率高 High transmission efficiency
2. 运行稳定 Stable movement
3. 高精度 High precision
4. 高耐用性 High durability
5. 高可靠性 High reliability

丝杠用推力角接触球轴承
Ball Screw Support Bearings
760Series $\alpha=60^\circ$



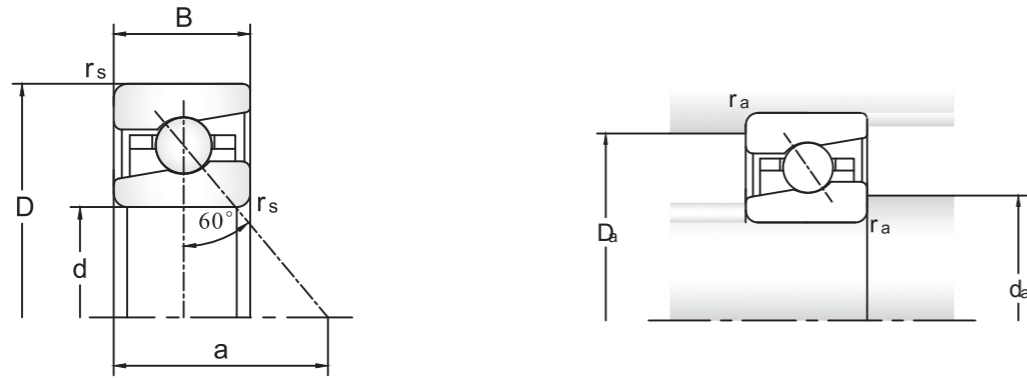
尺寸表 · 单位: mm Dimenisons Unit:mm

轴承代号 Bearing code	外形尺寸 Demension					安装尺寸 Abutment demensions			额定载荷 Load rating	
	d	D	B	r _{smin}	a	da	Da	r _a	Ca	Coa
	mm					min	max	max	kN	
7602020TVP	20	47	14	1.0	36	27.5	39.5	1.0	19.3	25
7602025TVP	25	52	15	1.0	41	32.0	45.0	1.0	22	30.5
7602030TVP	30	62	16	1.0	48	39.5	52.5	1.0	26	39
7602035TVP	35	72	17	1.1	55	46.5	60.5	1.4	30	50
7602040TVP	40	80	18	1.1	62	53.5	68.5	1.1	37.5	64
7602045TVP	45	85	19	1.1	66	57.0	73.0	1.1	38	68
7602050TVP	50	90	20	1.1	71	63.0	79.0	1.1	39	75
7602055TVP	55	100	21	1.5	78	69.5	85.5	1.5	40.5	81.5
7602060TVP	60	110	22	1.5	86	77.0	96.0	1.5	56	112
7602065TVP	65	120	23	1.5	92	84.0	103.0	1.5	57	122
7602070TVP	70	125	24	1.5	96	87.0	108.0	1.5	65.5	137
7602075TVP	75	130	25	1.5	101	93.5	114.5	1.5	67	150
7602080TVP	80	140	26	2.0	108	100.0	122.0	2.0	76.5	175
7602085TVP	85	150	28	2.0	116	107.0	131.0	2.0	86.5	196
7602090TVP	90	160	30	2.0	123	113.5	138.5	2.0	98	224
7603020TVP	20	52	15	1.1	39	30.5	43.5	1.1	24.5	32
7603025TVP	25	62	17	1.1	46	38.0	52.0	1.1	28.5	41.5
7603030TVP	30	72	19	1.1	53	45.0	61.0	1.1	34.5	55
7603035TVP	35	80	21	1.5	60	51.0	67.0	1.5	36.5	61
7603040TVP	40	90	23	1.5	68	56.5	75.7	1.5	50	83
7603045TVP	45	100	25	1.5	75	64.5	85.5	1.5	58.5	104
7603050TVP	50	110	27	2.0	83	72.0	94.0	2.0	69.5	127
7603055TVP	55	120	29	2.0	90	77.0	101.0	2.0	78	146
7603060TVP	60	130	31	2.1	98	82.5	107.5	2.1	88	166
7603065TVP	65	140	33	2.1	105	91.5	118.5	2.1	100	196
7603070TVP	70	150	35	2.1	113	95.5	124.5	2.1	110	220
7603075TVP	75	160	37	2.1	120	105.5	135.5	2.1	125	255
7603080TVP	80	170	39	2.1	128	111.0	143.0	2.1	137	285
7603085TVP	85	180	41	3.0	135	116.0	151.0	3.0	160	325
7603090TVP	90	190	43	3.0	143	122.5	157.5	3.0	163	345

注: 若需要本尺寸表中未列入的轴承, 请与我们联系。
Note: If the bearings not listed, please contact with us.

极限转速 Attainable Speed		预载荷 Preloading	轴向刚度 Axial rigidity	卸载载荷 Unloading force	摩擦力矩 Friction torque	参考填脂量 Reference grease filling	重量 Weight	轴承代号 Bearing code
脂 Oil	油 Grease	Fao	Ra	Fam		≈		
r/min		kN	N/μm	kN	Nmm	g	kg	
12000	17000	2.3	700	6.6	50	1.6	0.13	7602020TVP
11000	16000	2.5	770	7.2	65	2.2	0.16	7602025TVP
9000	13000	2.9	890	8.3	86	3.0	0.24	7602030TVP
8000	11000	3.3	1020	9.5	115	4.0	0.34	7602035TVP
7000	9500	4.3	1180	12	170	5.0	0.44	7602040TVP
6700	9000	4.5	1240	12	190	6.0	0.50	7602045TVP
6300	8500	4.9	1360	14	230	7.2	0.67	7602050TVP
6000	8000	5.6	1390	13	250	8.7	0.75	7602055TVP
5000	6700	6.5	1620	18	350	11	0.96	7602060TVP
4800	6000	7.0	1750	20	410	13	1.20	7602065TVP
4500	6000	7.0	1750	20	440	15	1.32	7602070TVP
4300	5600	7.6	1880	21	480	17	1.45	7602075TVP
4000	5300	8.9	2040	25	600	20	1.76	7602080TVP
3800	5000	10.5	2200	30	760	25	2.19	7602085TVP
3600	4800	11.0	2270	31	790	30	2.69	7602090TVP
11000	16000	2.9	780	8.3	60	1.9	0.17	7603020TVP
9000	13000	3.3	910	9.5	85	3.5	0.28	7603025TVP
8000	11000	4.3	1070	12	130	5.0	0.41	7603030TVP
7000	9500	4.8	1190	13	170	6.6	0.55	7603035TVP
6300	8500	5.6	1290	16	225	9.2	0.76	7603040TVP
5600	7500	7.0	1780	20	300	12	1.02	7603045TVP
5000	6700	7.6	1600	21	360	16	1.33	7603050TVP
4800	6300	8.8	1720	25	460	20	1.69	7603055TVP
4500	6000	10.0	1840	28	540	24	2.12	7603060TVP
4000	5300	12.0	2050	34	700	29	2.60	7603065TVP
3800	5000	12.0	2100	34	760	34	3.16	7603070TVP
3600	4800	14.5	2330	41	920	41	3.79	7603075TVP
3400	4500	16.0	2460	46	1100	49	4.50	7603080TVP
3200	4300	17.5	2530	50	1250	55	5.29	7603085TVP
3000	4000	18.0	2650	51	1300	65	6.17	7603090TVP

注: 若需要本尺寸表中未列入的轴承, 请与我们联系。
Note: If the bearings not listed, please contact with us.



尺寸表 · 单位: mm Dimenisons Unit:mm

BS非标公制系列 BS non-standard series														
轴承 Bearings	外形尺寸 Dimensions				参考安装尺寸 Abutment dimensions			额定载荷 Loading force		极限转速 Attainable speed		重量 Weight		
	DRZ	d	D	B	r _{sm}	a	h ₁₂	H ₁₂	Max	Ca	Coa	脂 Oil	油 Grease	≈
	mm				≈				KN		r/min			kg
BS1547TN1	15	47	15	1.0	35	27.5	39.5	1.0	21.5	27	12000	17000	0.14	
BS1747TN1	17	47	15	1.0	35	27.5	39.5	1.0	21.5	27	12000	17000	0.14	
BS2047TN1	20	47	15	1.0	37	27.5	39.5	1	19.3	25	12000	17000	0.13	
BS2562TN1	25	62	15	1.0	46	38.0	52.0	1.0	28.5	41.5	9000	13000	0.24	
BS3062TN1	30	62	15	1.0	48	39.5	52.5	1	26	39	9000	13000	0.23	
BS3072TN1	30	72	15	1.0	52	45.0	61.0	1.1	31.0	54	8000	11000	0.35	
BS3572TN1	35	72	15	1.0	54	46.5	60.5	1.1	30	50	8000	11000	0.3	
BS4072TN1	40	72	15	1.0	56	49.0	62.5	1.1	28.0	49	8000	11000	0.26	
BS4090TN1	40	90	20	1.5	67	56.5	75.5	1.5	50	83	6300	8500	0.65	
BS4575TN1	45	75	15	1.0	60	52.0	68.0	1.0	28.5	52	7500	10000	0.26	
BS45100TN1	45	100	20	1.5	74	64.5	85.5	1.5	58.5	104	5600	75000	0.81	
BS50100TN1	50	100	20	1.5	76	64.5	85.5	1.5	58.5	104	5600	75000	0.75	
BS5590TN1	55	90	15	1.0	70	65	80	1	32.5	65.5	6300	85000	0.38	
BS55100TN1	55	100	20	1.5	77	69.5	85.5	1.5	40.5	81.5	6000	8000	0.75	
BS55120TN1	55	120	20	1.5	86	77	97.5	2	60	116	5000	6700	1.18	
BS60120TN1	60	120	20	1.5	88	79.5	100.5	1.5	61.0	120	4800	6300	1.11	
BS75110TN1	75	110	15	1.5	88	85	99.5	1.5	35.5	83	5000	6700	0.7	
BS100150TN1	100	150	22.5	2.0	120	114.5	135.0	2.0	69.5	173	3800	5000	1.37	

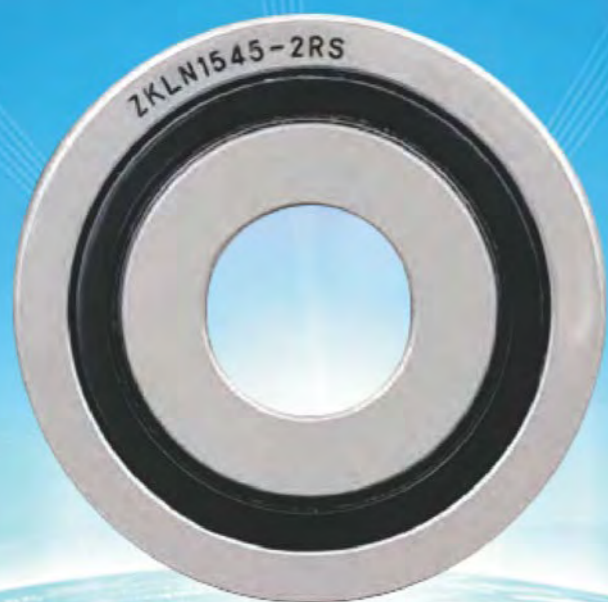
注: 若需要本尺寸表中未列入的轴承, 请与我们联系。
Note: If the bearings not listed, please contact with us.

丝杠轴承互换表
Ball Screw Support Bearings Exchange table

TIMKEN	BARDEN	FAG	NSK	NTN	RHP	SKF	SNFA
MM12BS32	-	7602012-TVP	-	-	-	BSA201	BS212
MM15BS35	-	7602015-TVP	-	-	-	BSA202	BS215
MM17BS47	-	-	17TAC47C10	BST17X47-1B	BSB017047	-	-
MM20BS47	BSB2047	BSB020047-T	20TAC47C10	BST20X47-1B	BSB020047	BSD2047	BS20/47
MM9306W12H	L078H	-	20TAC47XC11	BST20X47-2B	BSB078	-	-
MM9308W12H	L093H	-	23TAC62C11	BST23.8X62-1B	BSB093	-	-
MM25BS52	-	7602025-TVP	-	-	BSB2025	BSA205	BS225
MM25BS62	BSB2562	BSB025062-T	25TAC62C10	BST25X62-1B	BSB025062	BSD2562	BS25/62
MM30BS62	BSB3062	BSB030062-T	30TAC62C10	BST30X62-1B	BSB030062	BSD3062	BS30/62
MM30BS72	-	-	-	-	BSB030072	-	-
MM35BS72	BSB3572	BSB030572-T	35TAC72C10	BST35X72-1B	BSB035072	BSD3572	BS35/72
MM35BS100	-	-	-	-	BSB035100	-	-
MM9310W12H	L150H	-	38TAC72C11	BST38.1X72-1B	BSB150	-	-
MM40BS72	BSB4072	BSB040072-T	40TAC72C10	BST40X72-1B	BSB040072	BSD4072	BS40/72
MM40BS90	-	-	-	-	BSB040090	-	-
MM40BS90-20	-	BSB040090-T	40TAC90C10	BST40X90-1B	-	BSD4090	BS40/90
MM40BS90-23	-	7603040-TVP	-	-	-	BSA308	BS340
MM40BS100	-	-	-	-	BSB040100	-	-
MM9311W13H	L175H	-	44TAC76C11	BST44.5X76.2-1B	BSB175	-	-
MM45BS75	-	BSB045075-T	45TAC75C10	BST45X75-1B	BSB045075	BSD4575	-
MM45BS100	-	BSB045100-T	45TAC100C10	BST45X100-1B	BSB045100	BSD45100	BS45/100
MM50BS90	-	-	-	-	BSB050090	-	-
MM50BS100	-	BSB050100-T	50TAC100C10	BST50X100-1B	BSB050100	BSD50100	BS50/100
MM55BS90	-	BSB055090-T	55TAC90C10	-	BSB055090	-	-
MM55BS120	-	BSB055120-T	55TAC120C10	BST55X120-1B	BSB055120	BSD55120	BS55/120
MM9313W15H	L225H	-	57TAC90C11	-	BSB225	-	-
MM60BS120	-	BSB060120-T	60TAC120C10	BST60X120-1B	BSB060120	BSD60120	BS60/120
MM75BS110	-	BSB075110-T	-	-	BSB075110	-	-
MM9316W13H	L300H	-	76TAC110C11	-	BSB300	-	-
MM100BS150	-	-	-	-	BSB100150	-	-
MM9321W13	-	-	101TAC145C11	-	BSB400	-	-

推力角接触球轴承

Thrust Angular Contact Ball Bearing



产品概览 推力角接触球轴承 Product overview Axial angular contact ball bearings

双列设计，
带安装孔
唇式密封或最小间隙密封
Double row design,
for screw mounting
Lip seals or minimal gap seals

ZKLF..-2RS、ZKLF..-2Z、
ZKLF..-2RS-PE



配对设计
Matched pair design

ZKLF..-2RS-2AP



双列设计，
不带安装孔
唇式密封或最小间隙密封
Double row design,
not for screw mounting
Lip seals or minimal gap seals

ZKLN..-2RS、ZKLN..-2Z、
ZKLN..-2RS-PE

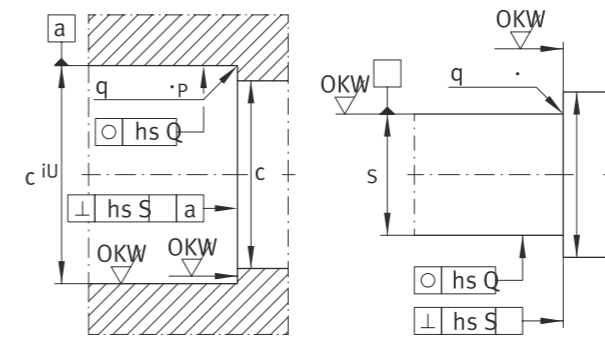
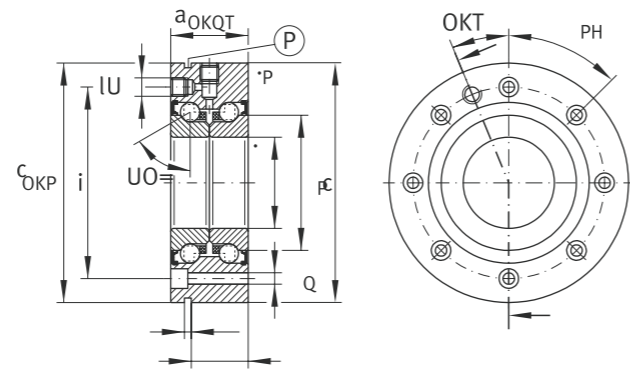


配对设计
Matched pair design

ZKLN..-2RS-2AP



推力角接触球轴承
Thrust Angular Contact Ball Bearing



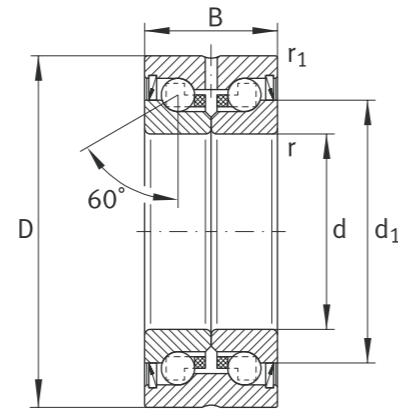
尺寸表·单位: mm
Dimenisons Unit:mm

型号 Description	尺寸 Dimensions										角度 Pitch n × t	安装尺寸 Mounting dimensions			固定螺栓Fixing screwsDIN EN ISO 4762 10.9		基本额定载荷 Basic load ratings axial		疲劳极限载荷 Fatiguelimit load
	d	D	B	d1	r min	r1 min	J	d2	b	l		Da max	da min	t1	Size	na × ta	dyn,Ca N	stat, C0a N	
ZKLF1255-2RS	12	55	25	25	0.3	0.6	42	6.8	3	17	3x120°	33	16	0.1	M6	3 × 120°	18,600	24,700	1,460
ZKLF1255-2Z	12	55	25	25	0.3	0.6	42	6.8	3	17	3x120°	33	16	0.1	M6	3 × 120°	18,600	24,700	1,460
ZKLF1560-2RS	15	60	25	28	0.3	0.6	46	6.8	3	17	3x120°	35	20	0.1	M6	3 × 120°	19,600	28,000	1,650
ZKLF1560-2Z	15	60	25	28	0.3	0.6	46	6.8	3	17	3x120°	35	20	0.1	M6	3 × 120°	19,600	28,000	1,650
ZKLF1762-2RS	17	62	25	30	0.3	0.6	48	6.8	3	17	6x60°	37	23	0.1	M6	3 × 120°	20,700	31,000	1,840
ZKLF1762-2Z	17	62	25	30	0.3	0.6	48	6.8	3	17	6x60°	37	23	0.1	M6	3 × 120°	20,700	31,000	1,840
ZKLF2068-2RS	20	68	28	34.5	0.3	0.6	53	6.8	3	19	8x45°	43	25	0.1	M6	4 × 90°	28,500	47,000	2,750
ZKLF2068-2Z	20	68	28	34.5	0.3	0.6	53	6.8	3	19	8x45°	43	25	0.1	M6	4 × 90°	28,500	47,000	2,750
ZKLF2575-2RS	25	75	28	40.5	0.3	0.6	58	6.8	3	19	8x45°	48	32	0.1	M6	4 × 90°	30,500	55,000	3,250
ZKLF2575-2Z	25	75	28	40.5	0.3	0.6	58	6.8	3	19	8x45°	48	32	0.1	M6	4 × 90°	30,500	55,000	3,250
ZKLF3080-2RS	30	80	28	45.5	0.3	0.6	63	6.8	3	19	12x30°	53	40	0.1	M6	6 × 60°	32,000	64,000	3,750
ZKLF3080-2Z	30	80	28	45.5	0.3	0.6	63	6.8	3	19	12x30°	53	40	0.1	M6	6 × 60°	32,000	64,000	3,750
ZKLF30100-2RS	30	100	38	51	0.3	0.6	80	8.8	3	30	8x45°	64	47	0.2	M8	8 × 45°	65,000	108,000	6,400
ZKLF30100-2Z	30	100	38	51	0.3	0.6	80	8.8	3	30	8x45°	64	47	0.2	M8	8 × 45°	65,000	108,000	6,400
ZKLF3590-2RS	35	90	34	52	0.3	0.6	75	8.8	3	25	8x45°	62	45	0.2	M8	4 × 90°	45,000	89,000	5,200
ZKLF3590-2Z	35	90	34	52	0.3	0.6	75	8.8	3	25	8x45°	62	45	0.2	M8	4 × 90°	45,000	89,000	5,200
ZKLF40100-2RS	40	100	34	58	0.3	0.6	80	8.8	3	25	8x45°	67	50	0.2	M8	4 × 90°	47,500	101,000	6,000
ZKLF40100-2Z	40	100	34	58	0.3	0.6	80	8.8	3	25	8x45°	67	50	0.2	M8	4 × 90°	47,500	101,000	6,000
ZKLF40115-2RS	40	115	46	65	0.6	0.6	94	8.8	3	36	12x30°	80	56	0.2	M8	12 × 30°	79,000	149,000	8,800
ZKLF40115-2Z	40	115	46	65	0.6	0.6	94	8.8	3	36	12x30°	80	56	0.2	M8	12 × 30°	79,000	149,000	8,800
ZKLF50115-2RS	50	115	34	72	0.3	0.6	94	8.8	3	25	12x30°	82	63	0.2	M8	6 × 60°	51,000	126,000	7,400
ZKLF50115-2Z	50	115	34	72	0.3	0.6	94	8.8	3	25	12x30°	82	63	0.2	M8	6 × 60°	51,000	126,000	7,400
ZKLF50140-2RS	50	140	54	80	0.6	0.6	113	11.0	3	45	12x30°	98	63	0.2	M10	12 × 30°	125,000	250,000	14,800
ZKLF50140-2Z	50	140	54	80	0.6	0.6	113	11.0	3	45	12x30°	98	63	0.2	M10	12 × 30°	125,000	250,000	14,800
ZKLF60145-2Z	60	145	45	85	0.6	0.6	120	8.8	3	35	8x45°	100	82	0.2	M8	8 × 45°	93,000	214,000	12,600
ZKLF70155-2Z	70	155	45	95	0.6	0.6	130	8.8	3	35	8x45°	110	92	0.2	M8	8 × 45°	97,000	241,000	14,200
ZKLF80165-2Z	80	165	45	105	0.6	0.6	140	8.8	3	35	8x45°	120	102	0.2	M8	8 × 45°	100,000	265,000	15,400
ZKLF90190-2Z	90	190	55	120	0.6	0.6	165	11.0	3	45	8x45°	138	116	0.2	M10	8 × 45°	149,000	395,000	21,300
ZKLF100200-2Z	100	200	55	132	0.6	0.6	175	11.0	3	45	8x45°	150	128	0.2	M10	8 × 45°	154,000	435,000	22,400
ZKLF100230-2Z	100	230	85	146	0.6	0.6	200	14.0	3	73	12x30°	175	130	0.4	M12	12 × 30°	295,000	790,000	29,000
ZKLF1255-2RS-PE	12	55	25	25	0.3	0.6	42	6.8	3	17	3x120°	33	16	0.1	M6	3 × 120°	16,900	24,700	1,090
ZKLF1560-2RS-PE	15	60	25	28	0.3	0.6	46	6.8	3	17	3x120°	35	20	0.1	M6	3 × 120°	17,900	28,000	1,240
ZKLF1762-2RS-PE	17	62	25	30	0.3	0.6	48	6.8	3	17	6x60°	37	23	0.1	M6	3 × 120°	18,800	31,000	1,380
ZKLF2068-2RS-PE	20	68	28	34.5	0.3	0.6	53	6.8	3	19	8x45°	43	25	0.1	M6	4 × 90°	26,000	47,000	2,070
ZKLF2575-2RS-PE	25	75	28	40.5	0.3	0.6	58	6.8	3	19	8 × 45°	48	32	0.1	M6	4 × 90°	27,500	55,000	2,450
ZKLF3080-2RS-PE	30	80	28	45.5	0.3	0.6	63	6.8	3	19	12x30°	53	40	0.1	M6	6 × 60°	29,000	64,000	2,800
ZKLF3590-2RS-PE	35	90	34	52	0.3	0.6	75	8.8	3	25	8x45°	62	45	0.2	M8	4 × 90°	41,000	89,000	3,950

注: 若需要本尺寸表中未列入的轴承, 请与我们联系。
Note: If the bearings most list here, please contact with us.

极限转速 Limiting speed	热安全运 转速度 Thermally safe operating speed	轴承摩擦力矩 Bearing frictional torque MR Nm	刚度 Rigidity axialcaL N/μm	倾斜刚度 Tilting rigidity c _{kL}	质量惯性矩 Mass moment of inertia M _m	轴向跳动 Axial runout μm	精密锁紧螺母的建议值 Recommended precision locknut			轴向必要的 锁紧力 Required locknut force axial N	重量 Mass m = kg
							用于径向 防松锁紧 For radiallocking	用于轴向 防松锁紧 For axial locking	锁紧力矩 Tighteningtorque MANm		
n _G grease min ⁻¹	n _p min ⁻¹										
9,200	3,800	0.16	375	50	0.068	2	Zm12	-	8	5,307	0.37
12,000	7,600	0.08	375	50	0.068	2	ZM12	-	8	5,307	0.37
8,200	3,500	0.20	400	65	0.102	2	ZM15	AM15	10	5,484	0.43
10,800	7,000	0.10	400	65	0.102	2	ZM15	AM15	10	5,484	0.43
7,600	3,300	0.24	450	80	0.132	2	ZM17	AM17	15	7,514	0.45
10,100	6,600	0.12	450	80	0.132	2	ZM17	AM17	15	7,514	0.45
6,600	3,000	0.30	650	140	0.273	2	ZM20	AM20	18	8,258	0.61
8,700	5,400	0.15	650	140	0.273	2	ZM20	AM20	18	8,258	0.61
5,700	2,600	0.40	750	200	0.486	2	ZM25	AM25	25	9,123	0.72
7,500	4,700	0.20	750	200	0.486	2	ZM25	AM25	25	9,123	0.72
5,000	2,200	0.50	850	300	0.730	3	ZM30	AM30	32	9,947	0.78
6,700	4,300	0.25	850	300	0.730	3	ZM30	AM30	32	9,947	0.78
4,500	2,100	0.80	950	400	1.910	3	ZMA30/52	AM30	65	19,509	1.63
5,600	4,000	0.40	950	400	1.910	3	ZMA30/52	AM30	65	19,509	1.63
4,400	2,000	0.60	900	400	1.510	3	ZM35	AM35/58	40	10,770	1.13
5,800	3,800	0.30	900	400	1.510	3	ZM35	AM35/58	40	10,770	1.13
4,000	1,800	0.70	1000	550	2.260	3	ZM40	AM40	55	13,412	1.46
5,200	3,300	0.35	1000	550	2.260	3	ZM40	AM40	55	13,412	1.46
3,500	1,600	1.30	1200	750	5.500	3	ZMA40/62	AM40	110	25,185	2.2
4,400	3,100	0.65	1200	750	5.500	3	ZMA40/62	AM40	110	25,815	2.2
3,200	1,500	0.90	1250	1000	5.240	3	ZM50	AM50	85	16,280	1.86
4,200	3,000	0.45	1250	1000	5.240	3	ZM50	AM50	85	16,280	1.86
2,900	1,200	2.60	1400	1500	15.200	3	ZMA50/75	AM50	150	28,451	4.7
3,500	2,500	1.30	1400	1500	15.200	3	ZMA50/75	AM50	150	28,451	4.7
4,000	3,000	1.00	1300	1650	13.700	3	ZMA60/98	AM60	100	16,700	4.3
3,800	2,800	1.20	1450	2250	19.800	3	ZMA70/110	AM70	130	19,031	4.9
3,600	2,700	1.40	1600	3000	27.600	3	ZMA80/120	AM80	160	20,604	5.3
3,500	2,300	2.30	1700	4400	59.900	3	ZMA90/130	AM90	200	22,731	8.7
3,300	2,150	2.60	1900	5800	85.300	3	ZMA100/140	AM100	250	25,624	9.3
2,900	2,000	3.00	2450	8200	185.000	3	-	AM100	500	52,000	17.6
9,200	3,800	0.16	375	50	0.068	5	ZM12	-	8	5,307	0.37
8,200	3,500	0.20	400	65	0.102	5	ZM15	AM15	10	5,484	0.43
7,600	3,300	0.24	450	80	0.132	5	ZM17	AM17	15	7,514	0.45
6,600	3,000	0.30	650	140	0.273	5	ZM20	AM20	18	8,258	0.61
5,700	2,600	0.40	750	200	0.486	5	ZM25	AM25	25	9,123	0.72
5,000	2,200	0.50	850	300	0.730	5	ZM30	AM30	32	9,947	0.78
4,400	2,000	0.60	900	400	1.510	5	ZM35	AM35/58	40	10,770	1.13

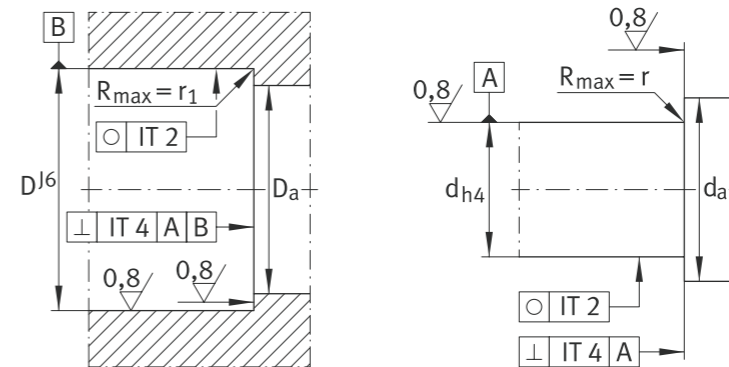
推力角接触球轴承
Thrust Angular Contact Ball Bearing



尺寸表 · 单位: mm
Dimenisons Unit:mm

型号 Description	尺寸 Dimensions						安装尺寸 Mounting dimensions		轴向基本额定载荷 Basic load ratings axial		疲劳极限载荷 Fatigue limit load C _u N	极限转速 Lim- itingspeed n _G grease 脂min	热安全运转速度 Thermally safe operating speed n _p min
	d	D	B	d ₁	r min.	r ₁ min.	D _a max.	d _a min.	dyn. C _a N	stat. C _{0a} N			
ZKLN0619-2Z	6	19	12	12	0.3	0.3	16	9	5400	6100	360	22800	14000
ZKLN0624-2RS	6	24	15	14	0.3	0.6	19	9	7600	8500	500	16400	6800
ZKLN0624-2Z	6	24	15	14	0.3	0.6	19	9	7600	8500	500	19900	12000
ZKLN0832-2RS	8	32	20	19	0.3	0.6	26	11	13800	16300	960	12100	5100
ZKLN0832-2Z	8	32	20	19	0.3	0.6	26	11	13800	16300	960	15500	9500
ZKLN1034-2RS	10	34	20	21	0.3	0.6	28	14	14700	18800	1110	10900	4600
ZKLN1034-2Z	10	34	20	21	0.3	0.6	28	14	14700	18800	1110	14400	8600
ZKLN1242-2RS	12	42	25	25	0.3	0.6	33	16	18600	24700	1460	9200	3800
ZKLN1242-2Z	12	42	25	25	0.3	0.6	33	16	18600	24700	1460	12000	7600
ZKLN1545-2RS	15	45	25	28	0.3	0.6	35	20	19600	28000	1650	8200	3500
ZKLN1545-2Z	15	45	25	28	0.3	0.6	35	20	19600	28000	1650	10800	7000
ZKLN1747-2RS	17	47	25	30	0.3	0.6	37	23	20700	31000	1840	7600	3300
ZKLN1747-2Z	17	47	25	30	0.3	0.6	37	23	20700	31000	1840	10100	6600
ZKLN2052-2RS	20	52	28	34.5	0.3	0.6	43	25	28500	47000	2750	6600	3000
ZKLN2052-2Z	20	52	28	34.5	0.3	0.6	43	25	28500	47000	2750	8700	5400
ZKLN2557-2RS	25	57	28	40.5	0.3	0.6	48	32	30500	55000	3250	5700	2600
ZKLN2557-2Z	25	57	28	40.5	0.3	0.6	48	32	30500	55000	3250	7500	4700
ZKLN3062-2RS	30	62	28	45.5	0.3	0.6	53	40	32000	64000	3750	5000	2200
ZKLN3062-2Z	30	62	28	45.5	0.3	0.6	53	40	32000	64000	3750	6700	4300
ZKLN3072-2RS	30	72	38	51	0.3	0.6	64	47	65000	108000	6400	4500	2100
ZKLN3072-2Z	30	72	38	51	0.3	0.6	64	47	65000	108000	6400	5600	4000
ZKLN3572-2RS	35	72	34	52	0.3	0.6	62	45	45000	89000	5200	4400	2000
ZKLN3572-2Z	35	72	34	52	0.3	0.6	62	45	45000	89000	5200	5800	3800
ZKLN4075-2RS	40	75	34	58	0.3	0.6	67	50	47500	101000	6000	4000	1800
ZKLN4075-2Z	40	75	34	58	0.3	0.6	67	50	47500	101000	6000	5200	3300
ZKLN4090-2RS	40	90	46	65	0.6	0.6	80	56	79000	149000	8800	3500	1600
ZKLN4090-2Z	40	90	46	65	0.6	0.6	80	56	79000	149000	8800	4400	3100
ZKLN5090-2RS	50	90	34	72	0.3	0.6	82	63	51000	126000	7400	3200	1500
ZKLN5090-2Z	50	90	34	72	0.3	0.6	82	63	51000	126000	7400	4200	3000
ZKLN50110-2RS	50	110	54	80	0.6	0.6	98	63	125000	250000	14800	2900	1200
ZKLN50110-2Z	50	110	54	80	0.6	0.6	98	63	125000	250000	14800	3500	2500
ZKLN60110-2Z	60	110	45	85	0.6	0.6	100	82	93000	214000	12600	4000	3000
ZKLN70120-2Z	70	120	45	95	0.6	0.6	110	92	97000	241000	14200	3800	2800
ZKLN80130-2Z	80	130	45	105	0.6	0.6	120	102	100000	265000	15400	3600	2700
ZKLN90150-2Z	90	150	55	120	0.6	0.6	138	116	149000	395000	21300	3500	2300
ZKLN100160-2Z	100	160	55	132	0.6	0.6	150	128	154000	435000	22400	3300	2150
ZKLN0624-2RS-PE	6	24	15	14	0.3	0.6	19	9	6900	8500	375	16400	6800

注: 若需要本尺寸表中未列入的轴承, 请与我们联系。
Note: If the bearings most list here, please contact with us.



轴承摩擦力矩 Bearing frictional torque M _f N·m	轴向刚度 Rigidity axial c _a L/N/μm	倾斜刚度 Tilting rigidity c _k L/Nm/mrad	质量惯性矩 Mass moment of inertia M _m kg·cm ²	轴向跳动 Axial runout μm	精密锁紧螺母的建议值 Recommended precision locknut			轴向必要锁紧力矩 Required locknut force axial N	重量 Mass m = kg
					用于径向防松锁紧 For radial locking	用于轴向防松锁紧 For axial locking	锁紧力矩 Tightening torque M _A N·m		
0.01	150	4	0.0019	2	Zm06	-	1	2010	0.02
0.04	200	8	0.0044	2	ZM06	-	2	2404	0.03
0.02	200	8	0.0044	2	ZM06	-	2	2404	0.03
0.08	250	20	0.02	2	ZM08	-	4	3468	0.09
0.04	250	20	0.02	2	ZM08	-	4	3468	0.09
0.12	325	25	0.029	2	ZM10	-	6	4891	0.1
0.06	325	25	0.029	2	ZM10	-	6	4891	0.1
0.16	375	50	0.068	2	ZM12	-	8	5307	0.2
0.08	375	50	0.068	2	ZM12	-	8	5307	0.2
0.2	400	65	0.102	2	ZM15	AM15	10	5484	0.21
0.1	400	65	0.102	2	ZM15	AM15	10	5484	0.21
0.24	450	80	0.132	2	ZM17	AM17	15	7514	0.22
0.12	450	80	0.132	2	ZM17	AM17	15	7514	0.22
0.3	650	140	0.273	2	ZM20	AM20	18	8258	0.31
0.15	650	140	0.273	2	ZM20	AM20	18	8258	0.31
0.4	750	200	0.486	2	ZM25	AM25	25	9123	0.34
0.2	750	200	0.486	2	ZM25	AM25	25	9123	0.34
0.5	850	300	0.73	2.5	ZM30	AM30	32	9947	0.39
0.25	850	300	0.73	2.5	ZM30	AM30	32	9947	0.39
0.8	950	400	1.91	2.5	ZMA30/52	AM30	65	19509	0.72
0.4	950	400	1.91	2.5	ZMA30/52	AM30	65	19509	0.72
0.6	900	400	1.51	2.5	ZM35	AM35/58	40	10770	0.51
0.3	900	400	1.51	2.5	ZM35	AM35/58	40	10770	0.51
0.7	1000	550	2.26	2.5	ZM40	AM40	55	13412	0.61
0.35	1000	550	2.26	2.5	ZM40	AM40	55	13412	0.61
1.3	1200	750	5.5	2.5	ZMA40/62	AM40	110	25185	0.95
0.65	1200	750	5.5	2.5	ZMA40/62	AM40	110	25185	0.95
0.9	1250	1000	5.24	2.5	ZM50	AM50	85	16280	0.88
0.45	1250	1000	5.24	2.5	ZM50	AM50	85	16280	0.88
2.6	1400	1500	15.2	2.5	ZMA50/75	AM50	150	28451	2.5
1.3	1400	1500	15.2	2.5	ZMA50/75	AM50	150	28451	2.5
1	1300	1650	13.7	3	ZMA60/98	AM60	100	16700	2.2
1.2	1450	2250	19.8	3	ZMA70/110	AM70	130	19031	2.4
1.4	1600	3000	27.6	3	ZMA80/120	AM80	160	20604	2.7
2.3	1700	4400	59.9	3	ZMA90/130	AM90	200	22731	4.5
2.6	1900	5800	85.3	3	ZMA100/140	AM100	250	25624	4.9
0.04	200	8	0.0044	5	ZM06	-	2	2404	0.03

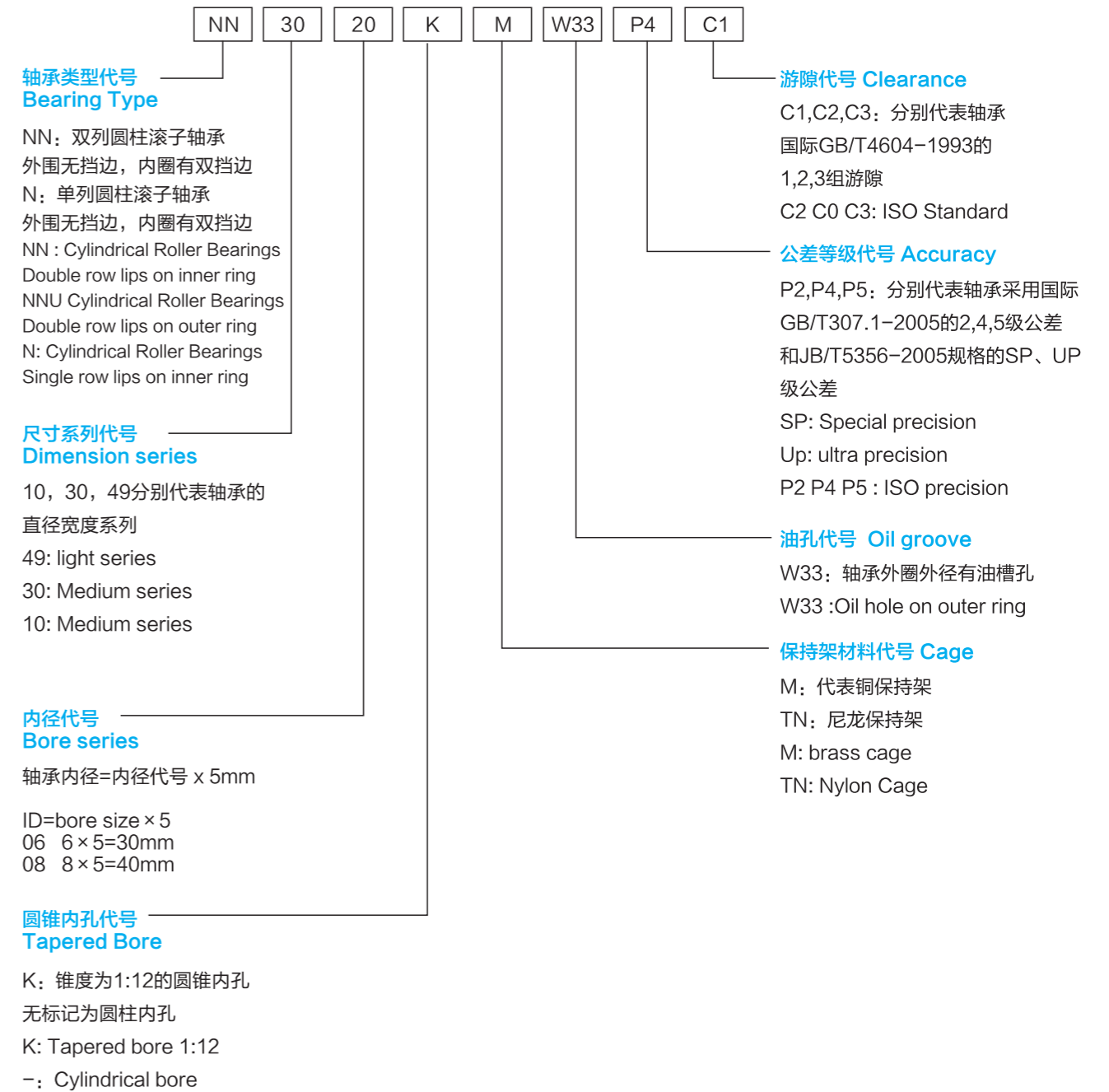
超精密圆柱滚子轴承

High Precision Cylindrical Roller Bearings

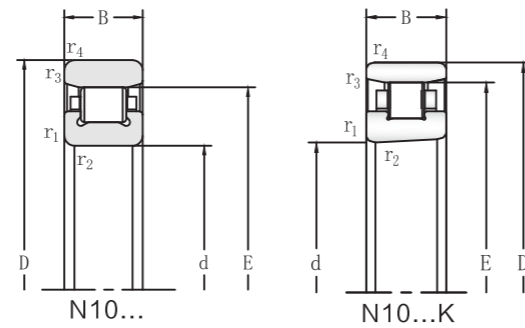


● Precision Cylindrical Roller Bearings

代号例 Bearings Designation system :



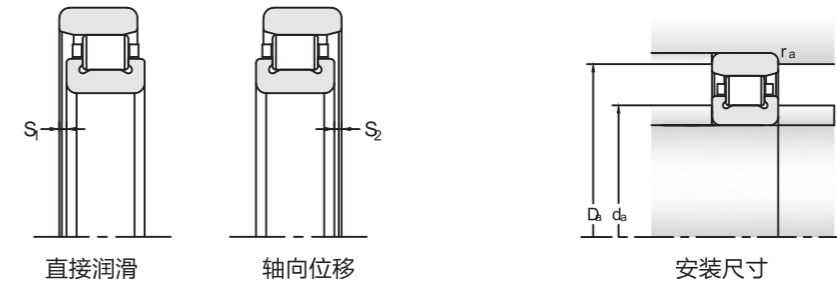
超精密圆柱滚子轴承
Precision Cylindrical Roller Bearings



尺寸表·单位: mm
Dimensions Unit:mm

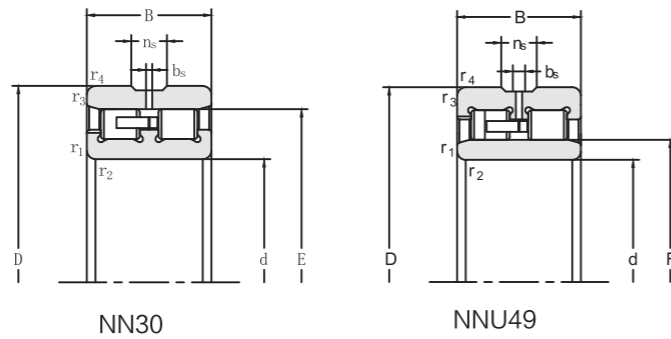
轴承型号 Bearings	尺寸 Dimensions					安装尺寸 Mounting Dimensions		
	d	D	B	R ₁ min	E	d _a	D _a	R _a
	mm					min	max	max
N1006	30	55	13	1.0	48.5	33.5	49	0.6
N1007	35	62	14	1.0	55	38.8	56	0.6
N1008	40	68	15	1.0	61	43.5	62	0.6
N1009	45	80	16	1.0	67.5	48.5	69	0.6
N1010	50	80	16	1.0	72.5	53.5	74	0.6
N1011	55	90	18	1.1	80.5	61	82	1.0
N1012	60	95	18	1.1	85.5	66	87	1.0
N1013	65	100	18	1.1	90.5	71	92	1.0
N1014	70	110	20	1.1	100	76	120	1.0
N1015	75	115	20	1.1	105	81	107	1.0
N1016	80	125	22	1.1	113.5	86	115	1.0
N1017	85	130	22	1.1	118.5	91	120	1.0
N1018	90	140	24	1.5	127	97	129	1.0
N1019	95	145	24	1.5	132	102	134	1.0
N1020	100	150	24	1.5	137	107	139	1.0
N1021	105	160	26	2.0	145.5	114	148	1.0
N1022	110	170	28	2.0	155	118	157	1.0
N1024	120	180	28	2.0	165	129	167	1.0
N1026	130	200	33	2.0	182	139	184	1.0
N1028	140	210	33	2.0	192	149	194	1.0
N1030	150	225	33	2.1	205.5	160.5	208	1.5
N1032	160	240	33	2.1	220	170.5	222	1.5
N1034	170	260	33	2.1	237	180.5	239	2.1
N1036	180	280	33	2.1	255	190.5	258	2.1
N1038	190	290	33	2.1	265	200.5	268	2.1
N1040	200	310	33	2.1	281	210.5	285	2.1
N1044	220	340	33	3.0	310	232.5	313	2.5
N1048	240	360	33	3.0	330	252.5	334	2.5
N1052	260	400	33	4.0	364	275	368	3.0
N1056	280	420	33	4.0	384	295	388	3.0

注: 若需要本尺寸表中未列入的轴承, 请与我们联系。
Note: If the bearings not list here, please contact with us.



基本额定载荷 Load		转速 RPM		径向刚度 Stiffness	质量 Weight	轴承代号 Bearings
Cr	Cor	Oil	Lub	Rr	≈	
KN		r/min		N/μm	Kg	
18.6	18	19000	22000	0.3	0.13	N1006K
23.6	24.5	16000	18000	0.4	0.17	N1007K
27.5	29	15000	17000	0.4	0.22	N1008K
32.5	35.5	13000	15000	0.5	0.27	N1009K
36	41.5	12000	14000	0.5	0.29	N1010K
41.5	50	11000	13000	0.6	0.44	N1011K
44	55	10000	12000	0.7	0.47	N1012K
45	58.5	9500	11000	0.7	0.49	N1013K
64	81	9000	10000	0.8	0.69	N1014K
65.5	85	8500	9500	0.8	0.72	N1015K
76.5	98	7500	8500	0.9	0.98	N1016K
78	104	7500	8500	0.9	1.04	N1017K
93	125	6700	7500	1.0	1.34	N1018K
96.5	129	6300	7000	1.0	1.4	N1019K
98	134	6000	6700	1.1	1.46	N1020K
112	153	6500	6300	1.1	1.82	N1021K
140	190	4800	6000	1.2	2.3	N1022K
150	208	4800	5600	1.3	2.47	N1024K
180	250	4300	4800	1.4	3.72	N1026K
183	265	4000	4500	1.4	3.94	N1028K
208	310	3800	4300	1.6	4.75	N1030K
245	355	3400	3800	1.6	5.79	N1032K
300	430	3200	3600	1.8	7.77	N1034K
360	520	3000	3400	1.9	10.2	N1036K
365	550	2800	3200	2.0	10.6	N1038K
400	600	2600	3000	2.1	14	N1040K
510	765	2400	2800	2.3	17.9	N1044K
540	850	2200	2600	2.5	19.3	N1048K
655	1020	1900	2200	2.7	28.6	N1052K
680	1100	1800	2000	2.9	30.9	N1056K

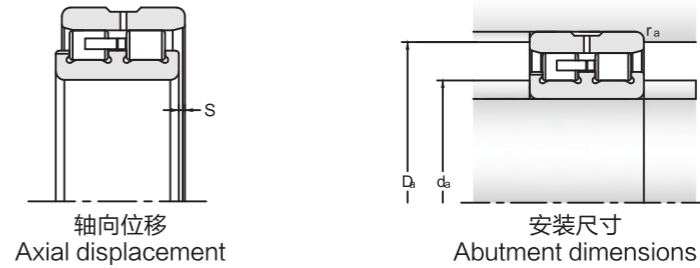
超精密圆柱滚子轴承
Precision Cylindrical Roller Bearings



尺寸表·单位: mm
Dimenisons Unit:mm

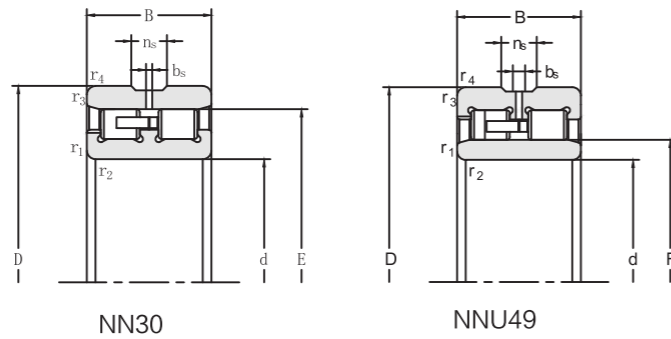
轴承型号 Bearings	质量 Weight m=kg	尺寸 Dimension							
		d	D	B	r ₁ min	E	F	n _s	d _s
NN3006KW33	0.19	30	55	19	1.0	48.5	-	4.8	3.2
NN3007KW33	0.25	35	62	20	1.0	55	-	4.8	3.2
NN3008KW33	0.3	40	68	21	1.0	61	-	4.8	3.2
NN3009KW33	0.39	45	75	23	1.0	67.5	-	4.8	3.2
NN3010KW33	0.43	0.43	80	23	1.0	-	-	4.8	3.2
NN3011KW33	0.63	0.63	90	26	1.1	-	-	4.8	3.2
NN3012KW33	0.67	0.67	95	26	1.1	-	-	4.8	3.2
NN3013KW33	0.72	0.72	100	26	1.1	-	-	4.8	3.2
NNU4914KW33	0.73	0.73	100	30	1.0	80	80	4.8	3.2
NN3014KW33	1.04	1.04	110	30	1.1	-	-	6.5	3.2
NNU4915KW33	0.77	0.77	105	30	1.0	85	85	4.8	3.2
NN3015KW33	1.09	1.09	115	30	1.1	-	-	6.5	3.2
NNU4916KW33	0.81	0.81	110	30	1.0	90	90	4.8	3.2
NN3016KW33	1.51	1.51	125	34	1.1	-	-	6.5	3.2
NNU4917KW33	1.2	1.2	120	35	1.1	96.5	96.5	4.8	3.2
NN3017KW33	1.58	1.58	130	34	1.1	-	-	6.5	3.2
NNU4918KW33	1.26	1.26	125	35	1.1	101.5	101.5	4.8	3.2
NN3018KW33	2.05	2.05	140	37	1.5	-	-	6.5	3.2
NNU4919KW33	1.32	1.32	130	35	1.1	106.5	106.5	4.8	3.2
NN3019KW33	2.14	2.14	145	37	1.5	-	-	6.5	3.2
NNU4920KW33	1.86	1.86	140	40	1.1	113	113	6.5	3.2
NN3020KW33	2.23	2.23	150	37	1.5	-	-	6.5	3.2
NNU4921KW33	1.93	1.93	145	40	1.1	118	118	6.5	3.2
NN3021KW33	2.84	2.84	160	41	2.0	-	-	6.5	3.2
NNU4922KW33	2.01	110	150	40	1.1	-	123	6.5	3.2
NN3022KW33	3.61	110	170	45	2.0	155	-	6.5	3.2
NNU4924KW33	2.71	120	165	45	1.1	-	134.5	6.5	3.2
NN3024KW33	3.94	120	180	46	2.0	165	-	6.5	3.2

注: 若需要本尺寸表中未列入的轴承, 请与我们联系。
Note: If the bearings most list here, please contact with us.



轴向位移 Axial displacement S	安装尺寸 Abutment Dimensions			基本额定载荷 Load Rating		极限转速 Attainable Speed		径向刚度 Radial rigidity Rr KN/μm
	d _a h ₁₂	D _a H ₁₂	r _{a1} max	动载荷 dyn Cr N	静载荷 sta C0 N	n _o 脂 Grease min ⁻¹	n _o 油 Oil min ⁻¹	
1.4	38	50	1.0	29000	34000	16000	19000	680
1.4	43	57	1.0	36000	44000	14000	17000	790
1.4	48	63	1.0	45000	59000	12000	15000	950
1.7	54	69	1.0	54000	72000	11000	14000	1080
1.7	59	74	1.0	57000	80000	10000	10000	1180
1.9	65	83	1.1	72000	100000	9000	9000	1300
1.9	70	88	1.1	75000	110000	8500	8500	1410
1.9	75	93	1.1	77000	116000	8000	8000	1470
1.8	79	92	1.0	60000	104000	7500	7500	1700
2.3	82	102	1.1	98000	150000	7000	7000	1660
1.8	84	97	1.0	63000	114000	7000	7000	1870
2.3	87	107	1.1	100000	156000	6700	6700	1730
1.8	89	102	1.0	66000	122000	6700	6700	1980
2.5	93	116	1.1	120000	186000	6300	6300	1850
2.0	96	111	1.1	90000	166000	6300	6300	2280
2.5	98	121	1.1	125000	200000	6000	6000	1990
2.0	101	116	1.1	93000	176000	6000	6000	2420
2.6	105	130	1.5	140000	224000	5600	5600	2020
2.0	106	121	1.1	95000	186000	5600	5600	2560
2.6	110	135	1.5	143000	236000	5300	5300	2100
2.0	112	129	1.1	129000	255000	5300	5300	3000
2.6	115	140	1.5	146000	245000	5300	5300	2170
2.0	117	134	1.1	129000	260000	5000	5300	3080
2.6	120	149	2.0	190000	310000	4500	4800	2320
2.0	122	139	1.1	132000	270000	5300	6000	3170
2.9	127	158	2.0	220000	360000	4800	5300	2500
2.3	133	155	1.1	176000	340000	4500	5300	3200
3.1	137	168	2.0	232000	390000	4300	5000	2700

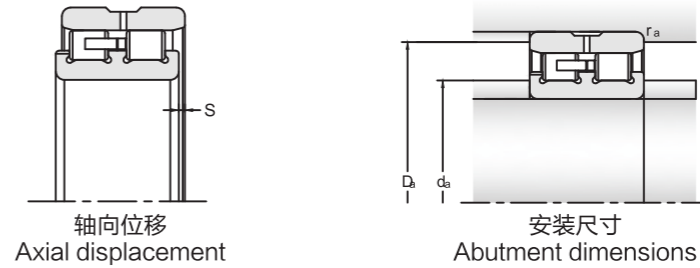
超精密圆柱滚子轴承
Precision Cylindrical Roller Bearings



尺寸表·单位: mm
Dimenisons Unit:mm

轴承型号 Bearings	质量 Weight m=kg	尺寸 Dimension							
		d	D	B	r ₁ min	E	F	n _s	d _s
NNU4926KW33	3.73	130	180	50	1.5	-	146	6.5	3.2
NN3026KW33	5.79	130	200	52	2.0	182	-	9.5	4.8
NNU4928KW33	4.04	140	190	50	1.5	-	156	6.5	3.2
NN3028KW33	6.22	140	210	53	2.0	192	-	9.5	4.8
NNU4930KW33	6.1	150	210	60	2.0	-	168.5	6.5	3.2
NN3030KW33	7.58	150	225	56	2.1	206	-	9.5	4.8
NNU4932KW33	6.41	160	220	60	2.0	-	178.5	6.5	3.2
NN3032KW33	9.23	160	240	60	2.1	219	-	9.5	4.8
NNU4934KW33	6.73	170	230	60	2.0	-	188.5	6.5	3.2
NN3034KW33	12.5	170	260	67	2.1	236	-	9.5	4.8
NNU4936KW33	9.96	180	250	69	2.0	-	202	9.5	4.8
NN3036KW33	16.4	180	280	74	2.1	255	-	12.2	6.3
NNU4938KW33	10.4	190	260	69	2	-	212	9.5	4.8
NN3038KW33	17.3	190	290	75	2.1	265	-	12.2	6.3
NNU4940KW33	14.7	200	280	80	2.1	-	225	12.2	6.3
NN3040KW33	22.2	200	310	82	2.1	282	-	12.2	6.3
NNU4944KW33	15.9	220	300	80	2.1	-	245	12.2	6.3
NN3044KW33	29.1	220	340	90	3.0	310	-	15	8.0
NNU4948KW33	17.1	240	320	80	2.1	-	265	12.2	6.3
NN3048KW33	31.6	240	360	92	3.0	330	-	15	8.0
NNU4952KW33	29.7	260	360	100	2.1	-	292	15	8.0
NN3052KW33	46.2	260	400	104	4.0	364	-	15	8.0
NNU4956KW33	31.6	280	380	100	2.1	-	312	15	8.0
NN3056KW33	49.7	280	420	106	4.0	384	-	15	8.0
NNU4960KW33	49.1	300	420	118	3.0	-	339	17.7	9.5
NN3060KW33	68.8	300	460	118	4.0	418	-	17.7	9.5
NNU4964KW33	51.8	320	440	118	3.0	-	359	17.7	9.5
NN3064KW33	74.2	320	480	121	4.0	438	-	17.7	9.0

注: 若需要本尺寸表中未列入的轴承, 请与我们联系。
Note: If the bearings not list here, please contact with us.



轴向位移 Axial displacement S	安装尺寸 Abutment Dimensions			基本额定载荷 Load Rating		极限转速 Attainable Speed		径向刚度 Radial rigidity Rr KN/μm
	d _a h ₁₂	D _a H ₁₂	r _{a1} max	动载荷 dyn Cr N	静载荷 sta C0 N	n _o 脂 Grease min ⁻¹	n _o 油 Oil min ⁻¹	
2.7	145	166	1.5	190000	390000	4000	4800	3600
3.1	150	186	2.0	290000	500000	3800	4500	2980
1.8	155	176	1.5	190000	400000	3800	4500	3700
3.4	160	196	2.0	300000	520000	3600	4300	3090
2.7	167	197	2.0	325000	655000	3600	4300	4280
3.8	172	210	2.1	335000	585000	3400	4000	3300
2.7	177	207	2.0	335000	680000	3400	4000	4420
4.3	183	224	2.1	375000	670000	3200	3800	3510
2.7	187	217	2.0	340000	695000	3200	3800	4560
4.6	196	241	2.1	450000	800000	3000	3600	3770
3.2	200	232	2.0	405000	850000	3000	3600	5160
4.8	209	260	2.1	570000	1000000	2800	3400	4040
3.2	210	242	2.0	405000	880000	2800	3400	5310
4.8	219	271	2.1	585000	1040000	2600	3200	4190
4.3	223	259	2.1	490000	1040000	2600	3200	5510
5.7	232	288	2.1	655000	1200000	2400	3000	4410
4.3	243	279	2.1	510000	1140000	2400	3000	6000
5.7	254	317	3.0	800000	1460000	2200	2800	4770
4.3	263	299	2.1	530000	1200000	2200	2800	6320
6.1	274	337	3.0	850000	1560000	2000	2600	5140
5.4	289	334	2.1	750000	1700000	2000	2600	7080
6.6	300	372	4.0	1060000	2000000	1900	2400	5680
5.4	309	354	2.1	765000	1800000	1900	2400	7480
6.9	320	392	4.0	1080000	2080000	1800	2200	5890
6.3	336	389	3.0	1040000	2400000	1700	2000	8280
7.5	346	427	4.0	1270000	2400000	1600	1900	5930
6.3	356	409	3.0	1060000	2550000	1600	1900	8750
8.0	366	447	4.0	1320000	2600000	1600	1900	6440

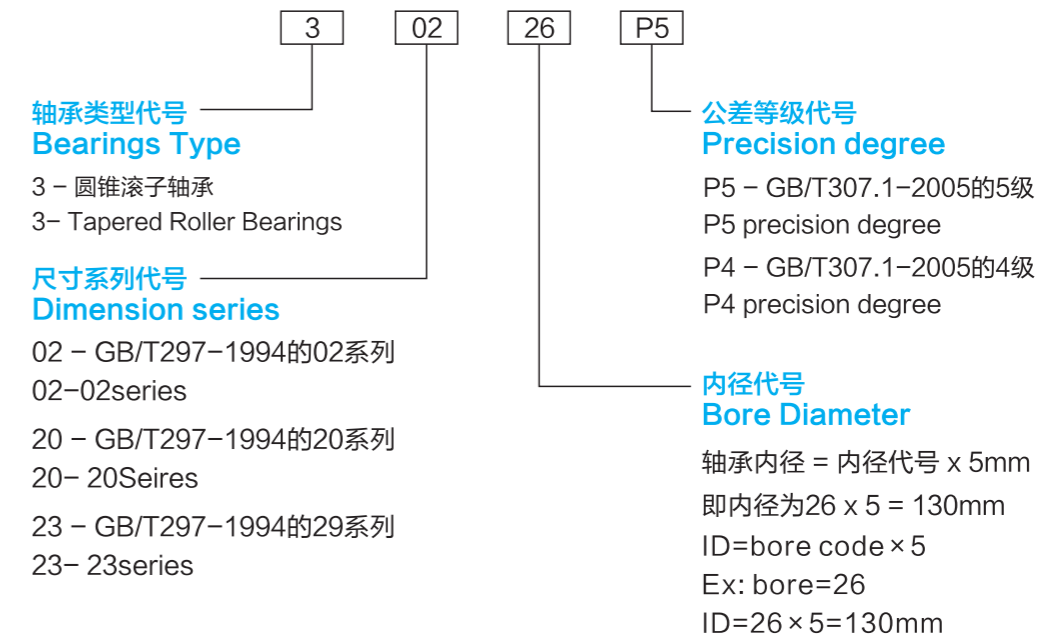
圆锥滚子轴承

Precision Tapered Roller Bearings



● Tapered Roller Bearings

代号例 Bearings Designation system:



圆锥滚子轴承具有圆锥内圈和外圈，圆锥滚子排列在它们之间，使滚子的表面在轴承的轴相交。这些轴承的独特之处在于，不像大多数轴承可以处理轴向或径向负荷，他们可以处理两个方向的大量负荷。

Tapered roller bearings feature tapered inner and outer ring raceways with tapered rollers arranged between them, angled so the surface of the rollers converge at the axis of the bearing. These bearings are unique in that, unlike most bearings that can handle either axial or radial loads, they can handle large amounts of load in both directions.

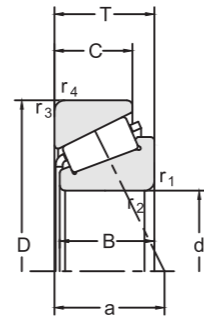
圆锥滚子轴承通常可以分解成独立的部件。带有滚子和保持架组件的内环可以从外环上拆卸和单独安装。圆锥滚子轴承适应内圈相对于外圈的角偏差的能力被限制在几分的弧内。与其他滚子轴承一样，圆锥滚子轴承必须给予最小的负载，特别是在高速应用中，否则惯性力和摩擦可以在滚子和滚道之间产生破坏性影响。

Tapered roller bearings can usually be broken down into separate parts. The inner ring with a roller and cage assembly can be removed and mounted separately from the outer ring. The ability of a tapered roller bearing to accommodate angular misalignment of the inner ring in relation to the outer ring is limited to a few minutes of arc. As with other roller bearings, tapered roller bearings must be given a minimum load, especially in high speed applications where the inertial forces and friction can have a damaging effect between the rollers and raceway.

产品特点 Features:

1. 优质经淬硬的轴承钢 High quality through hardened bearing steel
2. 优化内部设计 Optimized, engineered internal geometry
3. 高一致性，可靠灵活制造 Highly consistent, reliable, and flexible manufacturing
4. 可互换的设计 interchangeable metric designs

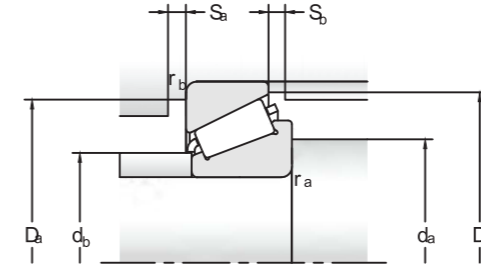
圆锥滚子轴承
Tapered Roller Bearing



尺寸表 · 单位: mm Dimenisons Unit:mm

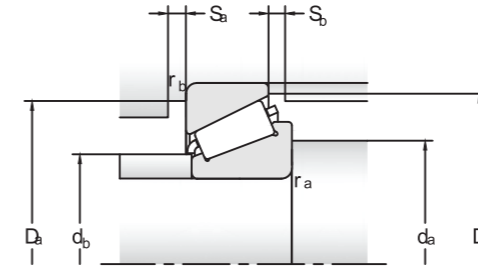
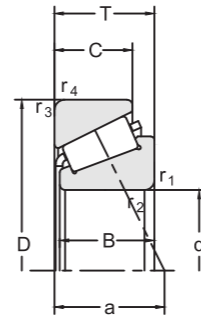
轴承代号 Bearings	外形尺寸 Dimension								安装尺寸 Abutment Dimension	
	d	D	B	C	T	a≈	r ₁ 、r ₂	r ₃ 、r ₄	da	db
	mm								min	max
32004	20	42	15	12	15	10	0.6	0.6	25	25
32005	25	47	15	11.5	15	12	0.6	0.6	30	30
32006	30	55	17	13	17	14	1.0	1.0	35	36
32007	35	62	18	14	18	15	1.0	1.0	40	41
32008	40	68	19	14.5	19	15	1.0	1.0	46	46
32009	45	75	20	15.5	20	17	1.0	1.0	51	51
32010	50	80	20	15.5	20	18	1.0	1.0	56	56
32011	55	90	23	17.5	23	20	1.5	1.5	63	62
32012	60	95	23	17.5	23	21	1.5	1.5	67	67
32013	65	100	23	17.5	23	23	1.5	1.5	72	72
32014	70	110	25	19	25	24	1.5	1.5	77	78
32015	75	115	25	19	25	25	1.5	1.5	82	83
32016	80	125	29	22	29	27	1.5	1.5	87	89
32017	85	130	29	22	29	28	1.5	1.5	92	94
32018	90	140	32	24	32	30	2.0	1.5	99	100
32019	95	145	32	24	32	32	2.0	1.5	104	105
32020	100	150	32	24	32	33	2.0	1.5	109	109
32021	105	160	35	26	35	35	2.5	2.0	115	116
32022	110	170	38	29	38	37	2.5	2.0	120	122
32024	120	180	38	29	38	40	2.5	2.0	130	131
32026	130	200	45	34	45	44	2.5	2.0	140	144
32028	140	210	45	34	45	46	2.5	2.0	150	153
32030	150	225	48	36	48	50	3.0	2.5	162	164
32032	160	240	51	38	51	53	3.0	2.5	172	175
32034	170	260	57	43	57	57	3.0	2.5	182	187
32036	180	280	64	48	64	60	3.0	2.5	192	199
32038	190	290	64	48	64	63	3.0	2.5	202	209
32040	200	310	70	53	70	67	3.0	2.5	212	221
32044	220	340	76	57	76	71	4.0	3.0	234	243
32952	260	360	63.5	48	63.5	69.6	3.0	2.5	272	279

注: 若需要本尺寸表中未列入的轴承, 请予我们联系。
Notice: If the bearings not list here, please contact with us for details.



安装尺寸 Abutment Dimension					额定载荷 Load rating		极限转速 Attainable speed		重量 Weight	轴承代号 Bearings
Da		Db	Sa	Sb	Cr	Cor	脂 Grease	油 Oil	≈	
min	max	min	min	min	KN		r/min		kg	
36	37	39	3	3.0	24	29	8500	12000	0.1	32004
40	42	44	3	3.5	26.5	34	8000	11000	0.1	32005
48	49	52	3	4.0	39	47.5	6700	9000	0.17	32006
54	56	59	4	4.0	46.5	58.5	6000	8000	0.22	32007
60	62	65	4	4.5	54	71	5300	7000	0.29	32008
67	69	72	4	4.5	61	86.5	4800	6300	0.33	32009
72	74	77	4	4.5	64	95	4500	6000	0.42	32010
81	83	86	4	5.5	81.5	118	4000	5300	0.58	32011
85	88	91	4	5.5	83	125	3800	5000	0.63	32012
90	93	97	4	5.5	83	129	3400	4500	0.63	32013
98	103	105	5	6.0	106	163	3200	4300	0.97	32014
103	108	110	5	6.0	108	170	3000	4000	0.93	32015
112	117	120	6	7.0	137	212	2600	3600	1.24	32016
117	122	125	6	7.0	143	228	2400	3400	1.31	32017
125	131	134	6	8.0	166	255	2200	3200	1.69	32018
130	136	140	6	8.0	173	275	2200	3200	1.79	32019
134	141	144	6	8.0	176	285	2000	3000	1.93	32020
143	150	154	6	9.0	204	335	1900	2800	2.33	32021
152	160	163	7	9.0	240	400	1800	2600	2.96	32022
161	170	173	7	9.0	250	425	1700	2400	3.28	32024
178	190	192	8	11.0	335	560	1600	2200	5.05	32026
187	200	202	8	11.0	345	610	1600	2200	5.18	32028
200	213	216	8	12.0	390	695	1500	2000	6.31	32030
213	228	231	8	13.0	425	750	1300	1800	7.78	32032
230	248	249	10	14.0	465	800	1200	1700	10.6	32034
247	268	267	10	16.0	630	1100	1100	1600	14.2	32036
257	278	279	10	16.0	640	1140	950	1400	14.8	32038
273	298	297	11	17.0	765	1370	900	1300	18.9	32040
300	326	326	12	19.0	702	1330	800	1000	22.3	32044
325	348	347	11	15.0	688	1470	700	900	18.6	32952

圆锥滚子轴承
Tapered Roller Bearing

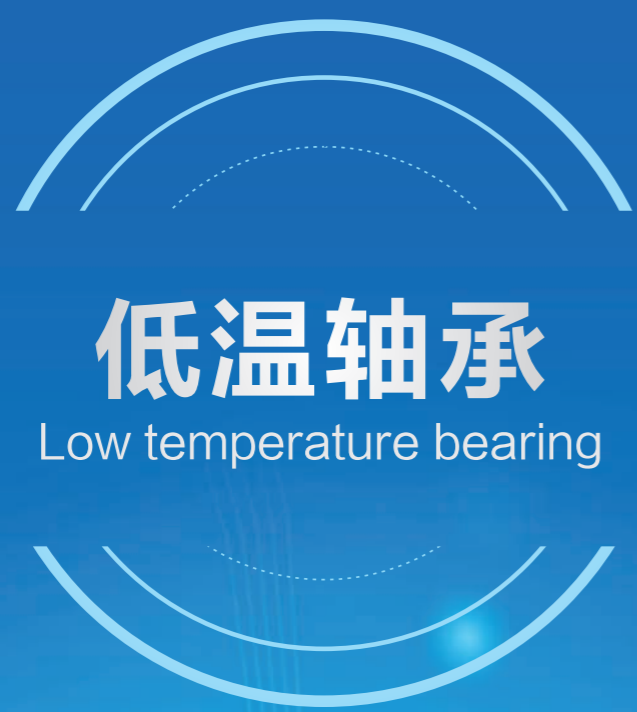


尺寸表 · 单位: mm Dimenisons Unit:mm

轴承代号 Bearings	外形尺寸 Dimension								安装尺寸 Abutment Dimension	
	d	D	B	C	T	a≈	r ₁ 、r ₂	r ₃ 、r ₄	da	db
	mm								min	max
30205	25	52	15	13	16.25	12.5	1.0	1.0	31	31
30206	30	62	16	14	17.25	13.8	1.0	1.0	37	37
30207	35	72	17	15	18.25	15.3	1.5	1.5	44	44
30208	40	80	18	16	19.75	16.9	1.5	1.5	49	49
30209	45	85	19	16	20.75	18.6	1.5	1.5	54	54
30210	50	90	20	17	21.75	20.0	1.5	1.5	58	58
30211	55	100	21	18	22.75	21.0	2.0	1.5	64	64
30212	60	110	22	19	23.75	22.3	2.0	1.5	70	70
30213	65	120	23	20	24.75	23.8	2.0	1.5	77	77
30214	70	125	24	21	26.75	25.8	2.0	1.5	81	81
30215	75	130	25	22	27.75	27.4	2.0	1.5	84	86
30216	80	140	26	22	28.75	28.1	2.5	2.0	90	91
30217	85	150	28	24	30.5	30.3	2.5	2.0	95	97
30218	90	160	30	26	32.5	32.3	2.5	2.0	100	103
30219	95	170	32	27	34.5	34.2	3.0	2.5	107	109
30220	100	180	34	29	37	36.4	3.0	2.5	112	115
30221	105	190	36	30	39	38.5	3.0	2.5	117	122
30222	110	200	38	32	41	40.4	3.0	2.5	122	129
30224	120	215	40	34	43.5	44.1	3.0	2.5	132	140
30226	130	230	40	34	43.75	46.1	4.0	3.0	144	152
30228	140	250	42	36	45.75	49.0	4.0	3.0	154	163
30230	150	270	45	38	49	52.4	4.0	3.0	164	175
30232	160	290	48	40	52	55.5	4.0	3.0	174	189
30234	170	310	52	43	57	60.4	5.0	4.0	188	201
30236	180	320	52	43	57	62.8	5.0	4.0	198	209
30238	190	340	55	46	60	65.0	5.0	4.0	208	223
30240	200	360	58	48	64	69.3	5.0	4.0	218	235

注: 若需要本尺寸表中未列入的轴承, 请与我们联系。
Notice: If the bearings not lsit here, please contact with us for details.

安装尺寸 Abutment Dimension					额定载荷 Load rating		极限转速 Attainable speed		重量 Weihgt	轴承代号 Bearings
Da		Db	Sa	Sb	Cr	Cor	脂 Grease	油 Oil	≈	
min	max	min	min	min	KN		r/min		kg	
44	46	48	2	3.5	32.2	37.0	7000	9000	0.154	30205
53	56	57	2	3.5	34.2	50.5	6000	7500	0.231	30206
62	65	67	3	3.5	54.2	63.5	5300	6700	0.331	30207
69	73	74	3	4.0	63.0	74.0	5000	6300	0.422	30208
74	78	80	3	5.0	67.8	83.5	4500	5600	0.474	30209
79	83	85	4	5.0	73.2	92.0	4300	5300	0.529	30210
88	91	94	4	5.0	90.8	115	3800	4800	0.713	30211
96	101	103	4	5.0	102	130	3600	4500	0.904	30212
106	111	113	4	5.0	120	152	3200	4000	1.13	30213
110	116	118	4	5.5	132	175	3000	3800	1.26	30214
115	121	124	4	5.5	138	185	2800	3600	1.36	30215
124	130	133	4	6.0	160	212	2600	3400	1.76	30216
132	140	141	5	6.5	178	238	2400	3200	2.06	30217
140	150	151	5	6.5	200	270	2200	3000	2.54	30218
149	158	160	5	7.5	228	308	2000	2800	3.04	30219
157	168	169	5	8.0	255	350	1900	2600	3.72	30220
165	178	178	6	9.0	285	398	1800	2400	4.38	30221
174	188	188	6	9.0	315	445	1700	2200	5.21	30222
187	203	202	6	9.5	338	482	1500	1900	6.20	30224
203	216	218	7	10.0	365	520	1400	1800	6.94	30226
219	236	235	9	11.0	408	585	1200	1600	8.73	30228
234	256	251	9	11.0	450	645	1100	1500	10.8	30230
252	276	270	9	12.0	512	738	1000	1400	13.3	30232
269	292	290	9	14.0	590	865	1000	1300	16.6	30234
278	302	399	9	14.0	610	912	900	1200	17.3	30236
398	322	320	9	14.0	698	1030	850	1100	20.8	30238
315	342	338	9	16.0	765	1140	800	1000	24.7	30240



低温轴承

Low temperature bearing



●LNG泵低温轴承

LNG pump Low temperature bearing

LNG (液化天然气) 泵用于接收液化天然气并将其排放至道路罐车和储罐。在这种应用中，轴承的工作条件非常恶劣，工作温度可以达到-196° C，并且轴承必须在没有外部润滑的情况下运行。盟拓在液化天然气泵轴承方面不仅可以提供深沟球轴承，也可以提供角接触球轴承。

LNG (Liquefied Natural Gas) pumps are used for receiving and discharging LNG to road tankers and storage tanks. In this application the bearing operating conditions are very tough, as the temperature can reach -196° C, and the bearing has to run without external lubrication. MONTON LNG pump bearings are available not only as deep groove ball bearings but also angular contact ball bearings.

工作环境	Working situation
恶劣的环境	Arduous Environments
腐蚀环境	Corrosive Environment
高速	High Speed
低温	Low Temperature
无润滑	Without Lubrication

低温设备用轴承特点 Characteristics of low temperature bearings for equipment

工况条件复杂 Complex working conditions

1. 输送介质中含有杂质 The conveying medium contains impurity
2. 输送介质中常有腐蚀性 Corrosive substances often contain conveying media
3. 输送介质中含有水气 The conveying medium contains water vapor
4. 有时需防磁 Anti magnetic needed sometimes

润滑环境恶劣 Bad lubrication environment

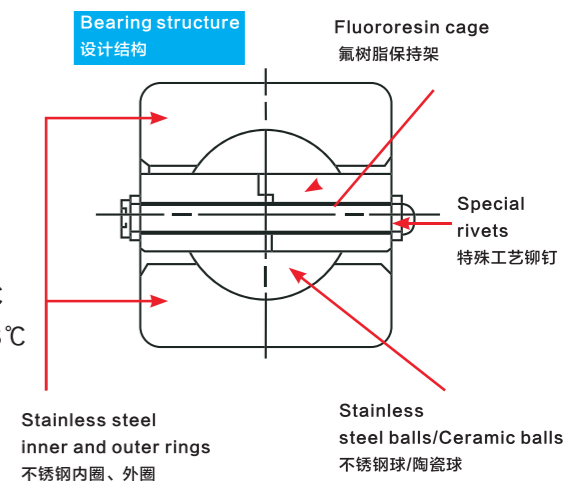
1. 运转过程中无润滑剂 Without lubricant during operation
2. 轴承需具备自润滑性 Bearings must be self-lubricating
3. 轴承需高耐磨性 Bearings need good wear resistance

工作温度低 Low working temperature

1. 液氧温度约-183°C liquid-oxygen temperature around -183°C
2. 液氮温度约-196°C liquid nitrogen temperature around -196°C
3. 液氢温度约-253°C Liquid hydrogen temperature around -253°C

可靠性要求高 Highly reliability

1. 停机维护成本高 High costs of downtime and maintenance
2. 停机维护损失较大 Large downtime maintenance loss
3. 由于轴承失效造成的损失更大 Great losses due to bearing failure



6311

H

T35D

C3

Code 代号	Description 说明
6311	Basic bearing number 基本轴承代号
H	Stainless steel 不锈钢
T35D	Fluororesin cage 氟树脂保持架
C3	Radial clearance 径向游隙

低温轴承特点 Low temperature bearing characteristics

高精度 High Precision

- 1.套圈P2级加工工艺 P2 degree manufacturing technology
- 2.成品旋转精度P4级及以上 Finished product rotation accuracy equal or above P4
- 3.精确控制轴承游隙 Strictly control bearing clearance

高耐磨性及耐腐蚀性 High wear resistance and corrosion resistance

- 1.不锈钢或高氮不锈钢 Stainless steel or high nitrogen stainless steel
- 2.套圈表面特殊处理耐磨性提高 Special treatment on the surface of the ferrule to improve wear resistance
- 3.抵御介质中异物对轴承的损伤 Resist damage to the bearing caused by foreign objects in the medium

长寿命 Long life

- 1.内部结构优化 Optimized Internal structure
- 2.特殊热处理 Special heat treatment
- 3.疲劳极限大大提高 Greatly improved Fatigue limit

高可靠性 High reliability

- 1.最低使用温度低至-273℃ The lowest operating temperature as low as -273℃
- 2.自润滑性能优良 Excellent self-lubricating performance
- 3.无润滑条件下可靠运行 Reliable operation without lubrication

应用领域 Application

- 1.液化天然气泵 LNG pump
- 2.液化石油气泵 LPG pump
- 3.液氮泵 Liquid nitrogen pump
- 4.液氧泵 Liquid oxygen pump
- 5.其它低温液体泵 Other cryogenic liquid pumps
- 6.其它真空泵 Other vacuum pumps

适用介质 Applicable medium

LN2, LO2, LH2, LAr, LNG, CNG, LPG, 液态甲烷 (Liquid Methane Gas), 液态乙烯 (Liquid Ethylene)

在低温应用中滚动轴承通常在最恶劣的环境下工作，其特点是温度远低于0° C环境温度且润滑不良，因为在接近绝对零度 (0 K)。传统钢轴承的使用寿命短，不仅是计划维护周期短的主要根源，也是设备过早故障和计划外机器停机的主要原因。

In cryogenic applications rolling bearings very often operate in the harshest environment, characterized by temperature far below 0° C and poor lubrication, because the lubrication with oil and grease becomes a challenge at temperatures close to absolute zero (0 K). Small wonder then that conventional steel bearings provide short service life and are the main root cause not only for planned maintenance cycles but also premature equipment failures and unplanned machinery shutdowns.

我们的低温轴承规格采用 AISI 440C 或高氮钢制成的套圈。高氮钢具有出色的耐腐蚀性、耐磨性和抗疲劳性，尤其是与氮化硅陶瓷 (Si3N4) 滚动体结合使用。可提供 Si3N4 滚动体、球或滚子，通过其惰性行为防止粘着磨损，并显著减少磨料磨损和轴承摩擦。因此，混合轴承特别适用于介质润滑操作。聚酰胺 (PA) 和 PEEK 保持架在超低温下往往会变脆，而 LNG 泵轴承采用由含氟聚合物复合材料制成的保持架，保持韧性，提供自润滑，因此可在低至 -273° C 的温度下完美运行。

Our cryogenic bearing specification features rings either made from AISI 440C or High-Nitrogen-Steel. High-Nitrogen-Steel provides excellent resistance against corrosion, wear and fatigue, particularly in combination with silicon nitride ceramic (Si3N4) rolling elements. Si3N4 rolling bodies, balls or rollers are available, prevent adhesive wear by their inert behavior and significantly reduce abrasive wear and bearing friction. Thus hybrid bearings are especially qualified for media lubrication operation. While polyamide (PA)- and PEEK-cages tend to get brittle at ultra low temperature, LNG pump bearings feature retainers made from fluoropolymer compound material, which remains ductile, provides self-lubrication and hence operates perfectly at temperatures down to -273° C.

我们不仅特别注意所有轴承材料，而且使轴承内外圈适应低温环境。我们的轴承工程师在设计阶段考虑了所有材料（包括轴和轴承座）的不同热性能，以便我们的轴承提供优化的径向游隙或接触角，并在工作温度下与配合零件完美配合，这可以使轴承达到最大的负载能力和更长的轴承寿命。我们可根据要求提供定制的轴承尺寸和公差，即使是小批量也可以定制。

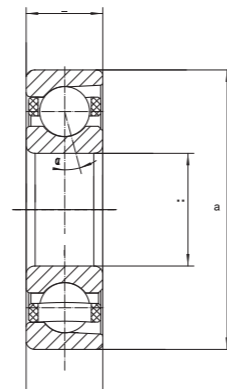
Our does not only pay careful attention to all bearing materials, but also adapts the inner and outer bearing geometry to the cryogenic environment. Our bearing engineers consider the different thermal properties of all materials, including shaft and housing, during the design phase, so that our bearings provide an optimized radial play or contact angle as well as perfect fits to the mating parts at operating temperature. This leads to maximized load capacity and superior bearing life. We offers customized bearing dimensions and tolerances on request, even in small quantities.

在液化气体泵 (LNG、LN2、LO2、LH2、LHe2) 中，滚动轴承直接设计在泵的流道中处理介质。这种设计原则的优点是，结构变得不那么复杂。旋转密封件不再需要将轴承与工艺介质分离并保护其不受影响的易损件。结果是，轴承必须能够处理各种液化气体，而液化气体是轴承的唯一润滑介质。需要特殊先进的轴承材料，以使轴承能够通过低温进行介质润滑，盟拓轴承长期工作使用证明低温轴承规范完美地反映了这些要求。

In Liquefied Gas Pumps (LNG, LN2, LO2, LH2, LHe2) rolling bearings are designed directly into the flow path of the process media. The advantage of this design principle is, that the construction becomes less complex. Rotary seals, which separate and protect the bearings from the process media, and which are typical wear parts, are no longer necessary. The trade-off is, that the bearings must be capable to cope with the various liquefied gases, which act as their only lubrication. Special advanced bearing materials are required to enable bearings for media lubrication by cryogenic liquids and MONTON' s long time proven bearing specification for cryogenic temperature perfectly reflects these requirements.

盟拓公司在为低温行业提供液化气体泵用混合陶瓷轴承方面有着悠久的历史（LNG、LN2、LO2、LH2、LHe2）以及涡轮膨胀机、液体涡轮机和冷却器。盟拓低温轴承旨在满足提高生产率和降低维护成本的要求。经验丰富的轴承设计工程师很乐意咨询客户，为客户的低温旋转设备提升到新的性能水平。

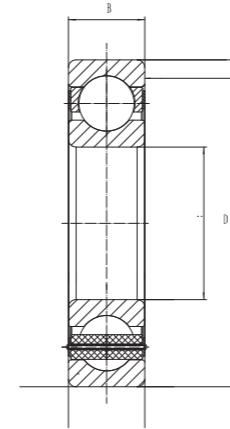
MONTON has a long experience in supplying hybrid ceramic bearings to the cryogenic industry, for Liquefied Gas Pumps (LNG, LN2, LO2, LH2, LHe2) but also Turbo Expanders, Liquid Turbines and Chillers. MONTON bearings for cryogenic applications are designed to fulfil the requests of improving productivity and cutting maintenance costs. Skilled MONTON bearing engineers are happy to consult customers to lift their cryogenic rotating equipment to the next performance level.



● 低温轴承 Low temperature bearing

尺寸表 · 单位: mm Dimenisons Unit:mm

型号 Description	内径 Dimension		厚度 B	倒角 Chamfer	载荷 Loading (KN)		极限速度 Limited Speed (r/min)
	ID	OD			Cor	Cr	
	7205A5hU9	25			52	15	
7206A5hU9	30	62	16	1	22	14	22000
7207A5hU9	35	72	17	1.1	29	19	19000
7208A5hU9	40	80	18	1.1	30.5	21.6	17000
7209A5hU9	45	85	19	1.1	39	27.5	15000
7210A5hU9	50	90	20	1.1	40.5	30.5	14000
7305A5hU9	25	62	17	1.1	18.3	10.6	18000
7306A5hU9	30	72	19	1.1	24.8	15.4	15000
7307A5hU9	35	80	21	1.5	30.6	19.6	14000
7308A5hU9	40	90	23	1.5	37	24.4	12600
7309A5hU9	45	100	25	1.5	47.6	31.8	12000
7310A5hU9	50	110	27	2	54.6	39.2	10000
7311A5hU9	55	120	29	1	58	845.6	9000



型号 Description	内径 Dimension		厚度 B	倒角 Chamfer	载荷 Loading (KN)		极限速度 Limited Speed (r/min)
	ID	OD			Cor	Cr	
	6205-H-T35D	25			52	15	
6206-H-T35D	30	62	16	1	19.3	11.2	14000
6207-H-T35D	35	72	17	1.1	25.5	15.3	12000
6208-H-T35D	40	80	18	1.1	29	18	11000
6209-H-T35D	45	85	19	1.1	31	20.4	10000
6210-H-T35D	50	90	20	1.1	36.5	24	9500
6211-H-T35D	55	100	21	1.5	43	29	8500
6213-H-T35D	65	120	23	1.5	58	41.5	7000
6215-H-T35D	75	130	25	1.5	64	48	6800
6217-H-T35D	85	150	28	2	82.5	62	6500
6220-H-T35D	100	180	34	2.1	122	93	5400
6222-H-T35D	110	200	38	2.3	144	117	3000
6304-H-T35D	20	52	15	1.1	15.2	8	24000
6305-H-T35D	25	62	17	1.1	22	11	22000
6308-H-T35D	40	90	23	1.5	42.5	25	11000
6311-H-T35D	55	120	29	2	76	47.5	10000
6314-H-T35D	70	150	25	2.1	102	66	9000
6318-H-T35D	90	190	43	3	132	100	6000
6320-H-T35D	100	215	47	3	160	130	5700
6322-H-T35D	110	240	50	3	190	165	5400
6328-H-T35D	140	300	62	4	255	250	4000

注：若需要本尺寸表中未列入的轴承，请予我们联系。
Notice: If the bearings not lsit here, please contact with us for details.

●电机轴承

Servo motor bearing

高速伺服电机轴承特点：密封性好，具有高稳定性，优选金属材质,经过特殊的热处理工艺、制造装备和技术,使精密深沟球轴承的使用寿命大大增加,支持高速运转,降低成本,提高效率。

Servo motor bearing features: good sealing, high stability, metal material is preferred. Through special heat treatment process, manufacturing equipment and technology, the service life of precision deep groove ball bearing is greatly increased, supporting high-speed operation, reducing cost and improving efficiency.

产品特点

卓越的氧化性和热稳定性
优良的防锈性能
低噪音

Product Features

Exceptional oxidation and heat stability
Excellent rust prevention
Low noise

优点

卓越的润滑脂性能可延长使用寿命1.5倍
扭矩低/功率损失最小
由于振动较小，伺服电机运行更安静
在潮湿的条件下表现良好

Benefits

Superior grease properties extend service life 1.5x's
Low torque/minimal power loss
Quieter servomotor operation due to less vibration
Excellent in humid conditions

应用环境

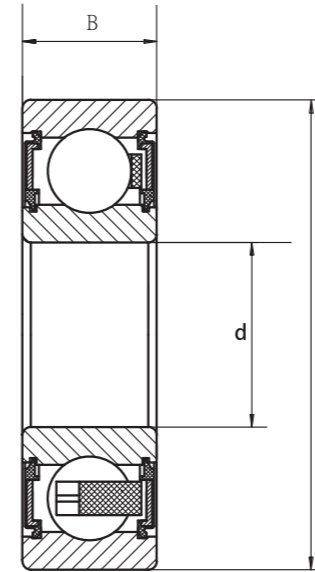
腐蚀环境
高精度
低振动

Condition Description

Corrosive Environment
High Accuracy
Low Vibration

应用行业

电机
机床
钻床主轴电机
FANUC伺服电机
西门子伺服电机
离心机
Industries
Electric Motors
Machine Tools
spindle motor of drilling machine
FANUC servo motor
Siemens Servo motor
centrifuge



尺寸表 · 单位: mm Dimenisons Unit:mm

型号	混合陶瓷球	内径	外径	高度
Bearing	Ball	d	D	B
6205VV-2RS/P4	Ceramic ball	25	52	15
B25-254-2RS/P4	Ceramic ball	25	52	20.6
B25-224-2RS/P4	Ceramic ball	25	62	16
EPB50-67-2RS/P4	Ceramic ball	50	130	31
EPB60-47-2RS/P4	Ceramic ball	60	130	31
B40-180-2RS/P4	Ceramic ball	40	90	23
B40-185-2RS/P4	Ceramic ball	40	80	30
B40-188-2RS/P4	Ceramic ball	40	80	18
B40-166-2RS/P4	Ceramic ball	40	90	23
B40-160-2RS/P4	Ceramic ball	30	72	19
F-568217-2RS/P4	Ceramic ball	35	72	23
F-568240-2RS/P4	Ceramic ball	40	80	23
F-568241-2RS/P4	Ceramic ball	40	90	23
F-563087-2RS/P4	Ceramic ball	50	90	23
F-563088-2RS/P4	Ceramic ball	50	110	23
F-563091-2RS/P4	Ceramic ball	60	110	28
F-567384-2RS/P4	Ceramic ball	50	110	23

注：若需要本尺寸表中未列入的轴承，请予我们联系。
Notice: If the bearings not lsit here, please contact with us for details.